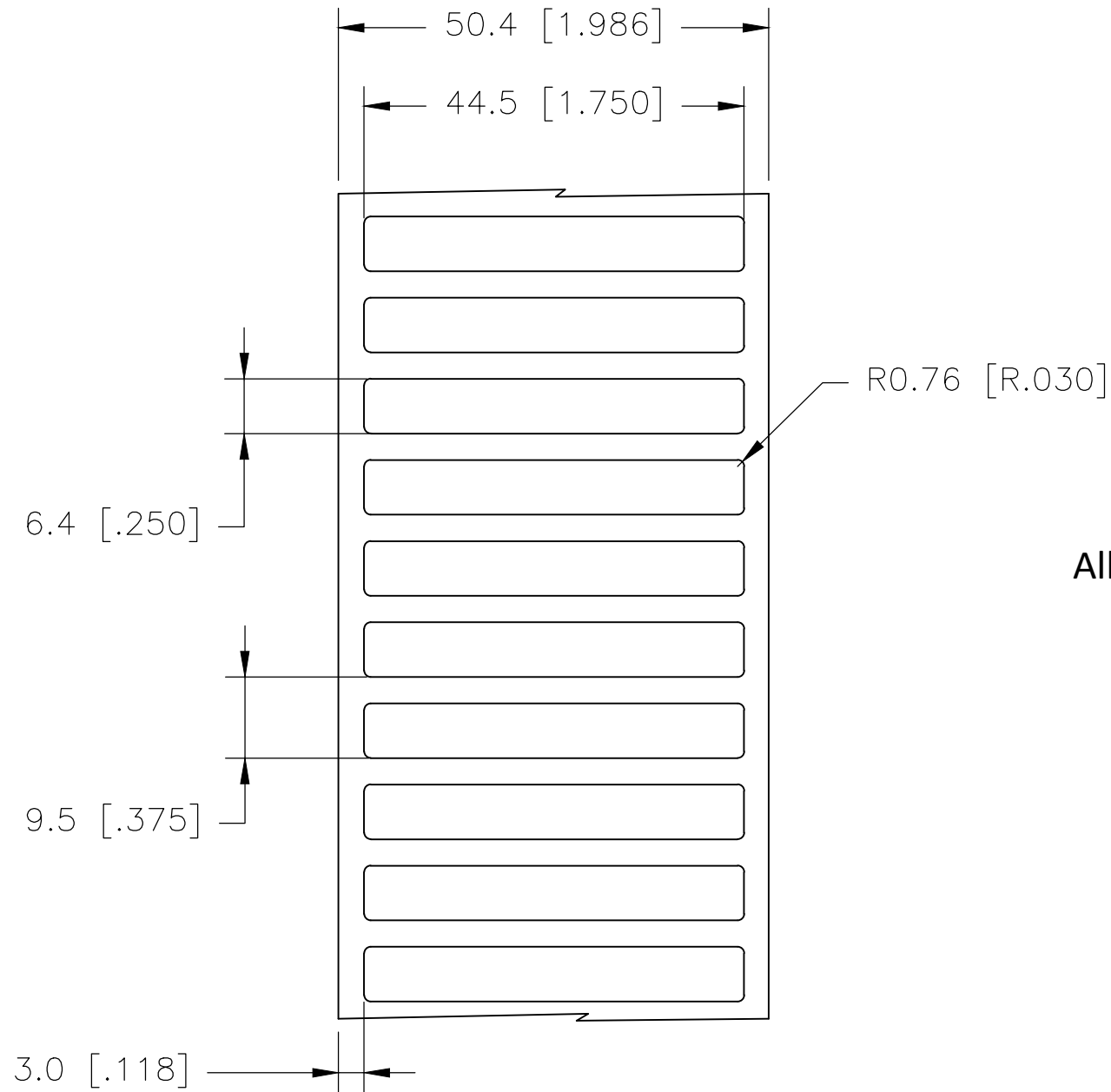
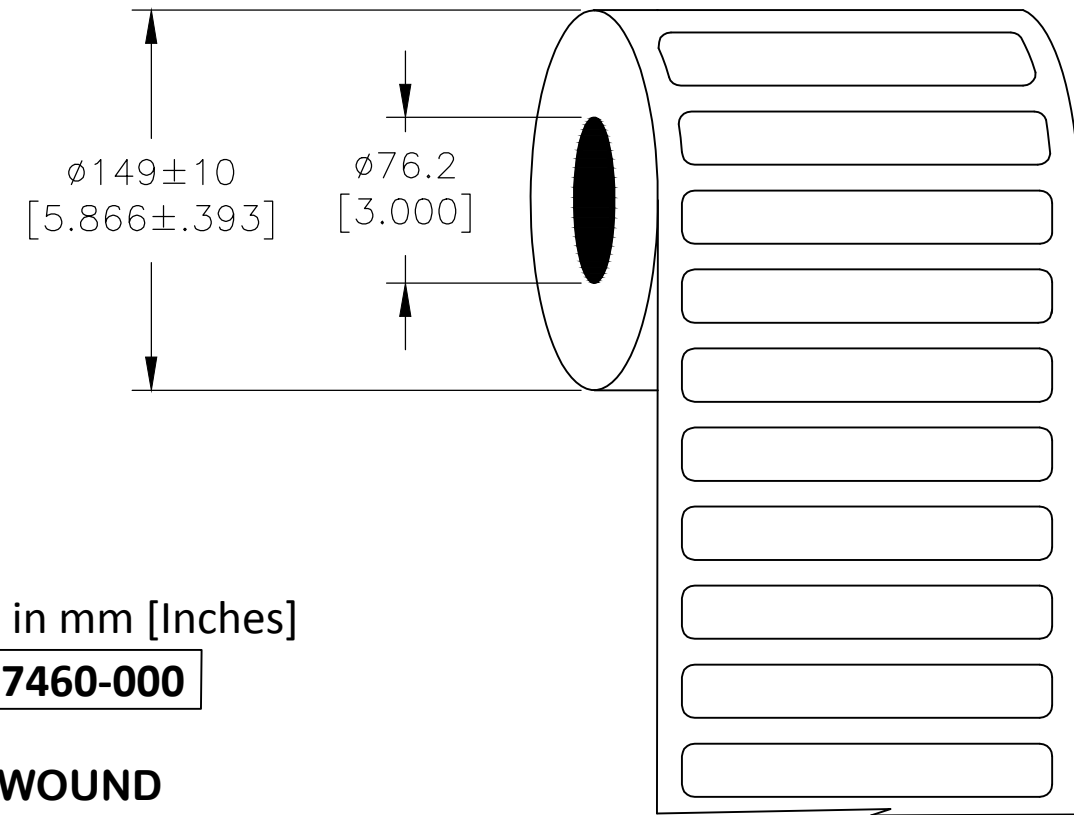


P	LTR	DESCRIPTION	DATE	DWN	APVD
	B	INITIAL RELEASE	06JUL2020	MN	AK

LABEL AND LINER DESIGN



PRESENTATION



All dimensions in mm [Inches]

TE PN: E57460-000

**OUTSIDE WOUND
LABEL ACROSS: 1
PER ROLL QTY: 10000**

MATERIAL	METALIZED POLYESTER
ADHESIVE TYPE	PERMANENT
LINER	GLASSINE PAPER

TOLERANCES mm [INCH]	
LABEL HEIGHT:	±0.3 [.012]
LABEL WIDTH:	±0.3 [.012]
WEB WIDTH:	±0.8 [.031]
VERTICAL REPEAT:	±0.8 [.031]*
HORIZONTAL REPEAT:	±0.8 [.031]*
PRINT POSITIONING:	±0.8 [.031]*
LEFT MARGIN:	±0.4 [.016]
QUANTITY:	-0 % +2 %
*NON ACCUMULATING	

THIS DRAWING IS A CONTROLLED DOCUMENT.	
DIMENSIONS: mm [INCHES]	TOLERANCES UNLESS OTHERWISE SPECIFIED:
	0 PLC ± -
	1 PLC ± -
	2 PLC ± -
	3 PLC ± -
	4 PLC ± -
ANGLES ± -	FINISH -
MATERIAL SEE TABLE	

DWN	M. NUTTALL	06JUL2020
CHK	M. NUTTALL	06JUL2020
APVD	A. KEAN	06JUL2020
PRODUCT SPEC	TTDS-074	
APPLICATION SPEC	-	
WEIGHT	0.026 g	
CUSTOMER DRAWING		

TE Connectivity		NAME	
		MP - METALIZED POLYESTER LABELS	
SIZE	CAGE CODE	DRAWING NO	RESTRICTED TO
A3	C2290	G-MP-445064-10-8A	-
SCALE		SHEET	REV
NTS		1 OF 1	B