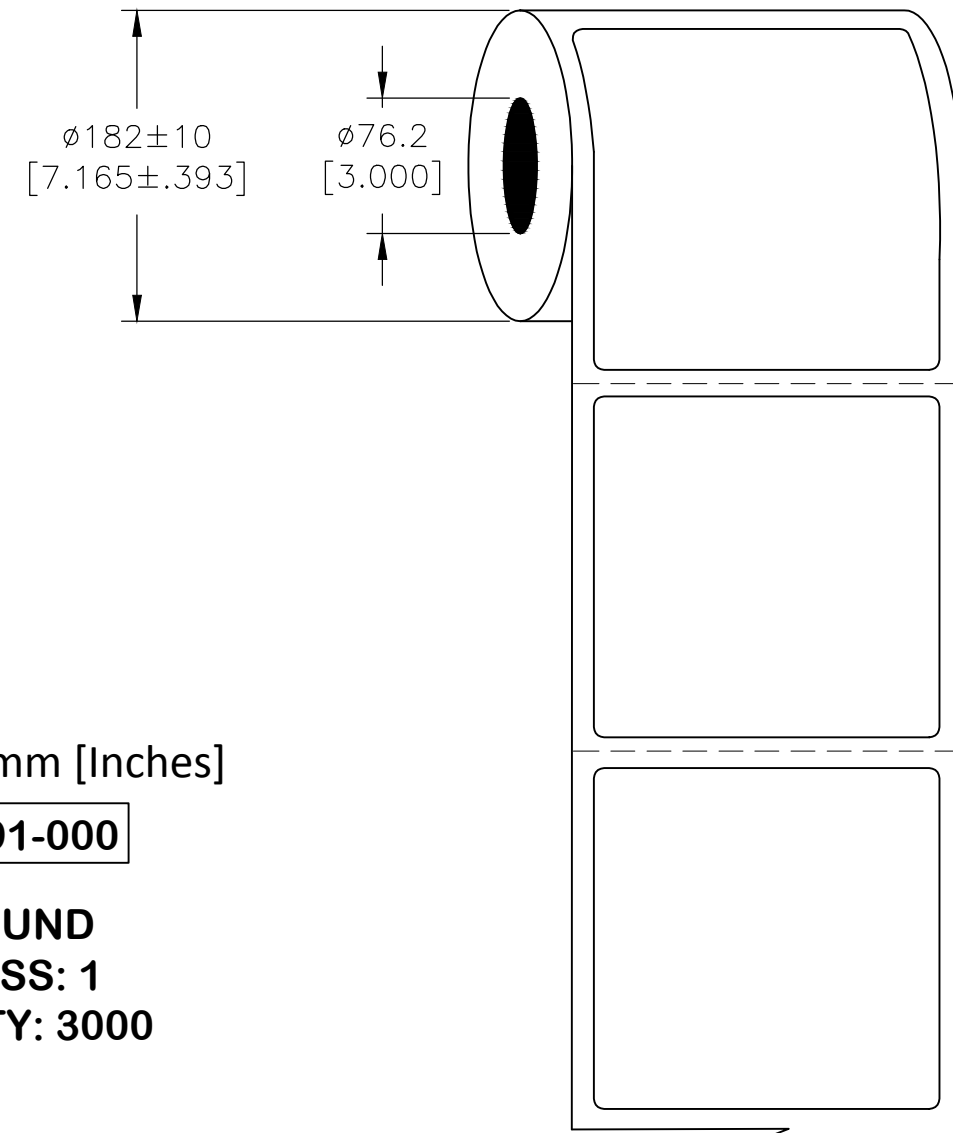
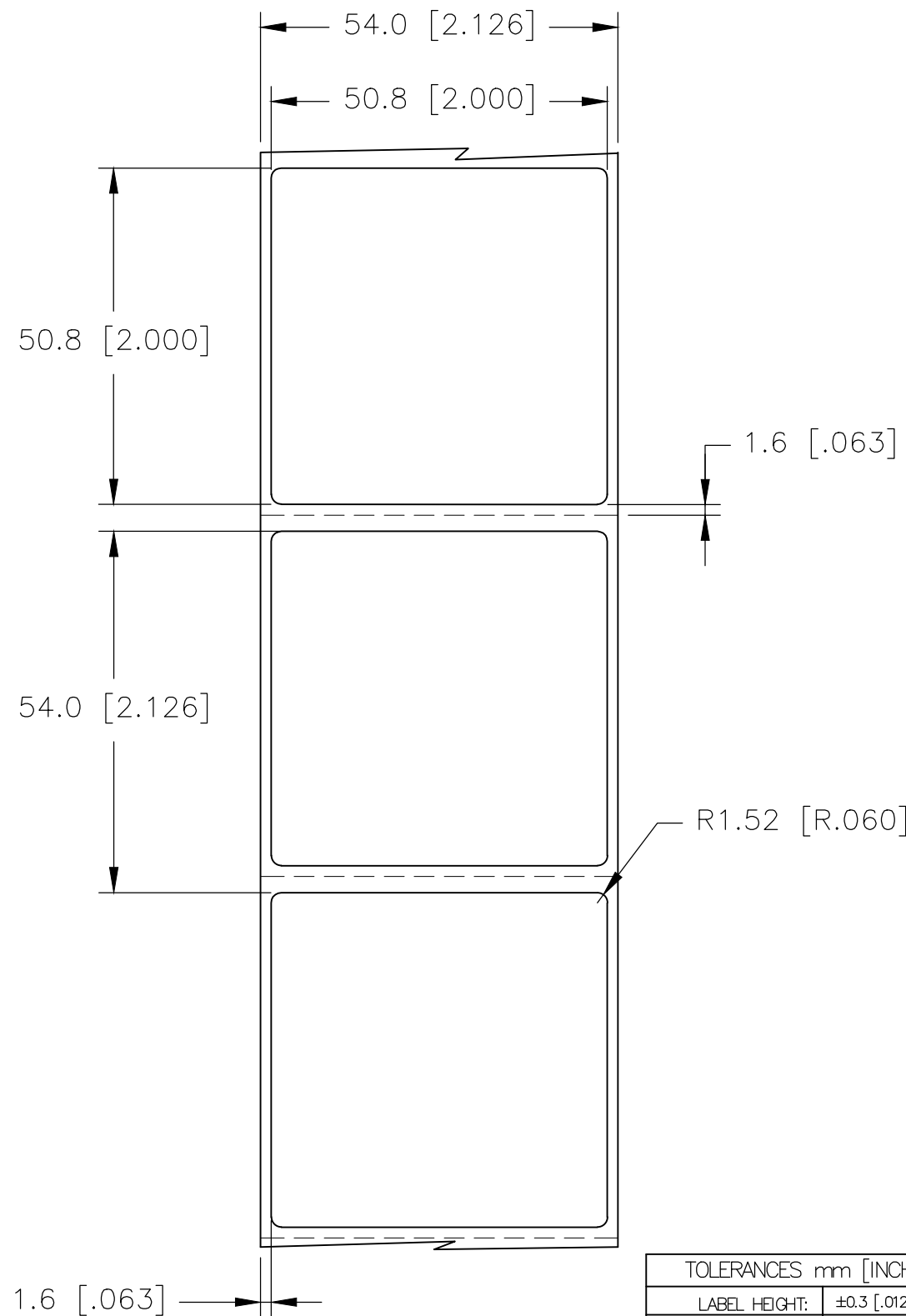


P	LTR	DESCRIPTION	DATE	DWN	APVD
	C	INITIAL RELEASE	07AUG2020	MN	AK

LABEL AND LINER DESIGN

PRESENTATION



All dimensions in mm [Inches]

TE PN: C93791-000

**OUTSIDE WOUND
LABEL ACROSS: 1
PER ROLL QTY: 3000**

MATERIAL	METALIZED POLYESTER
ADHESIVE TYPE	PERMANENT
LINER	GLASSINE PAPER

TOLERANCES mm [INCH]	
LABEL HEIGHT:	±0.3 [.012]
LABEL WIDTH:	±0.3 [.012]
WEB WIDTH:	±0.8 [.031]
VERTICAL REPEAT:	±0.8 [.031]*
HORIZONTAL REPEAT:	±0.8 [.031]*
PRINT POSITIONING:	±0.8 [.031]*
LEFT MARGIN:	±0.4 [.016]
QUANTITY:	-0 % +2 %
*NON ACCUMULATING	

THIS DRAWING IS A CONTROLLED DOCUMENT.

DIMENSIONS:	TOLERANCES UNLESS OTHERWISE SPECIFIED:
mm [INCHES]	
	0 PLC ± -
	1 PLC ± -
	2 PLC ± -
	3 PLC ± -
	4 PLC ± -
	ANGLES ± -
	FINISH ± -

DWN	M. NUTTALL	07AUG2020
CHK	M. NUTTALL	07AUG2020
APVD	A. KEAN	07AUG2020
PRODUCT SPEC	TTDS-074	
APPLICATION SPEC	-	
WEIGHT	0.232g	

NAME		MP - METALIZED POLYESTER LABELS	
SIZE	CAGE CODE	DRAWING NO	RESTRICTED TO
A3	C2290	C=MP-508508-3-8A	-
CUSTOMER DRAWING		SCALE	SHEET
		NTS	1 OF 1
		REV	C