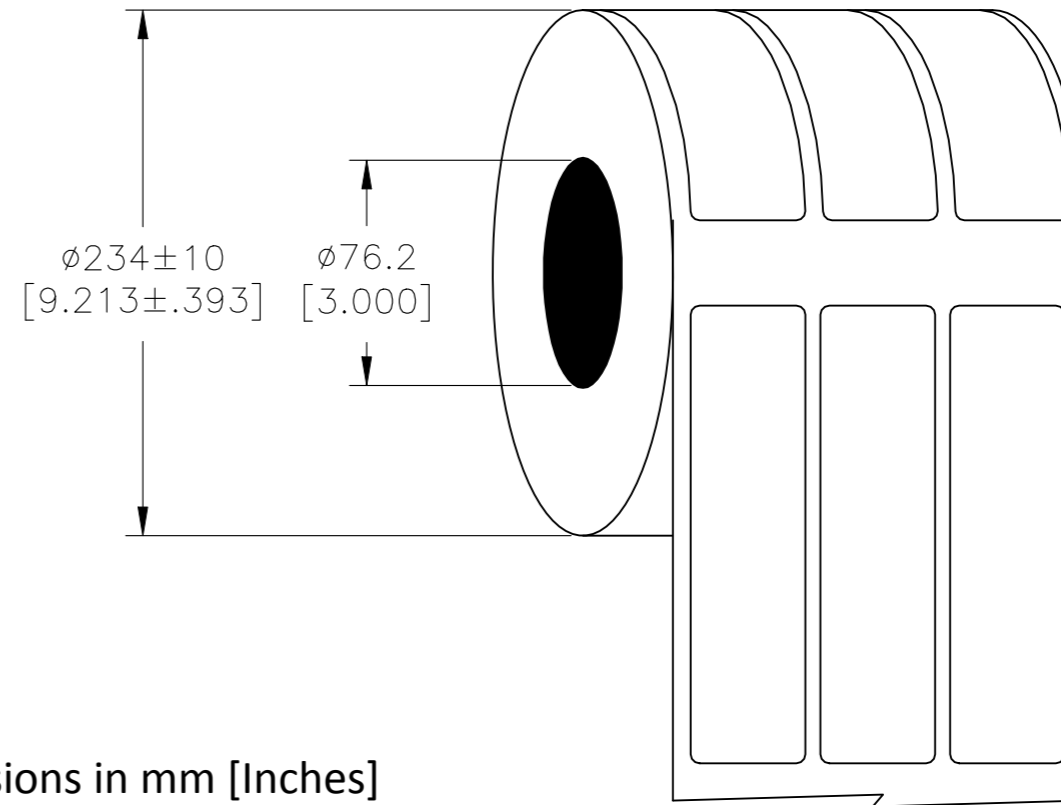
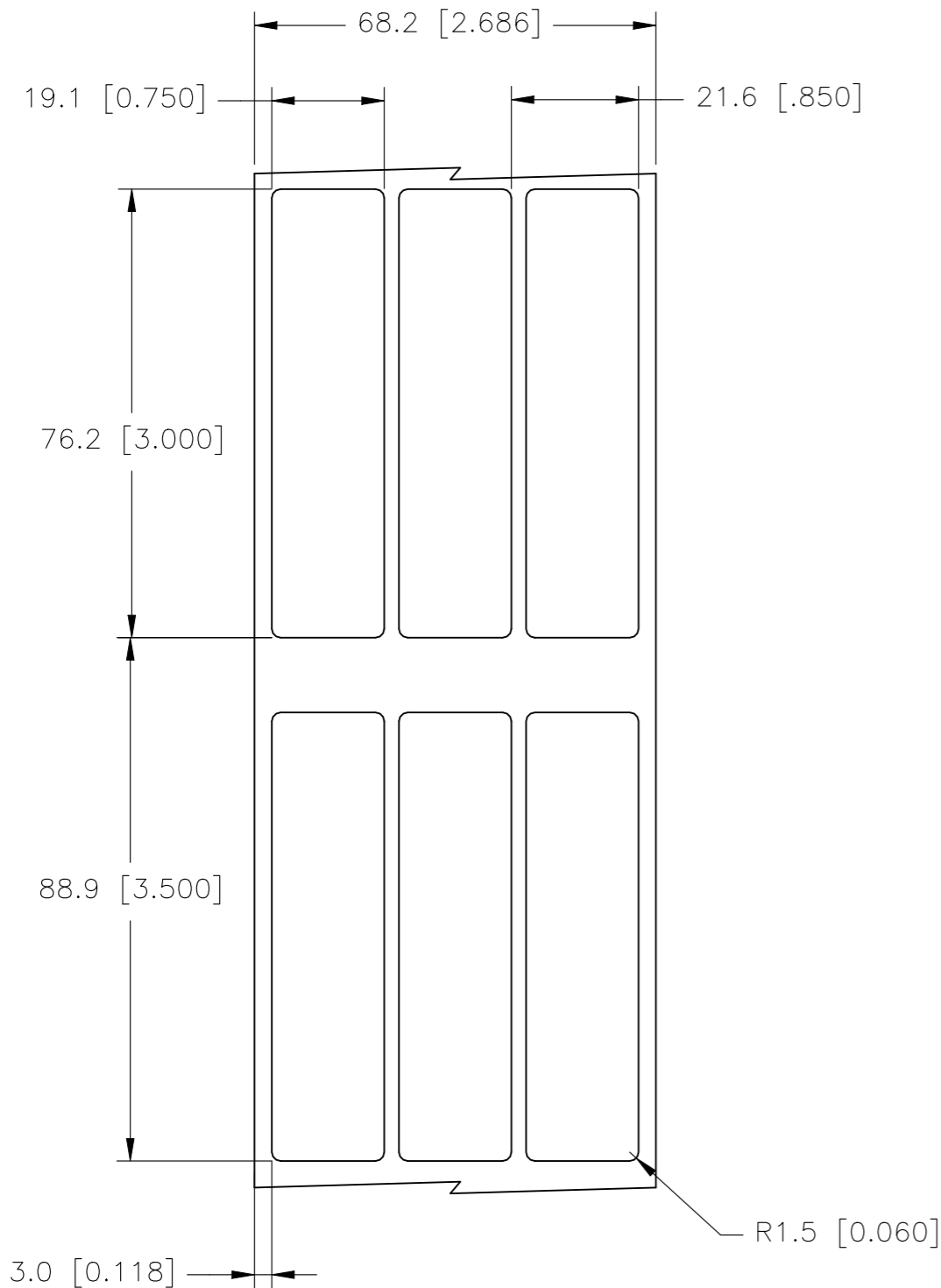


REVISIONS				
P	LTR	DESCRIPTION	DATE	APVD
	C	INITIAL RELEASE	27AUG2021	GK MN

LABEL AND LINER DESIGN

PRESENTATION



All dimensions in mm [Inches]

TE PN: C78190-000

**OUTSIDE WOUND
LABEL ACROSS: 3
PER ROLL QTY: 5000**

MATERIAL	NYLON CLOTH
ADHESIVE TYPE	PERMANENT ACRYLIC
LINER	GLASSINE PAPER

TOLERANCES mm [INCH]	
LABEL HEIGHT:	± 0.3 [.012]
LABEL WIDTH:	± 0.3 [.012]
WEB WIDTH:	± 0.8 [.031]
VERTICAL REPEAT:	± 0.8 [.031]*
HORIZONTAL REPEAT:	± 0.8 [.031]*
PRINT POSITIONING:	± 0.8 [.031]*
LEFT MARGIN:	± 0.4 [.016]
QUANTITY:	-0 % +2 %
*NON ACCUMULATING	

THIS DRAWING IS A CONTROLLED DOCUMENT.	
DIMENSIONS: mm [INCHES]	TOLERANCES UNLESS OTHERWISE SPECIFIED:
	0 PLC $\pm -$
	1 PLC $\pm -$
	2 PLC $\pm -$
	3 PLC $\pm -$
	4 PLC $\pm -$
ANGLES $\pm -$	FINISH $\pm -$
MATERIAL	

DWN	27AUG2021	TE Connectivity	NAME	NC - NYLON CLOTH LABELS
CHK	27AUG2021			
APVD	27AUG2021			
MIKE NUTTALL				
MIKE NUTTALL		PRODUCT SPEC		
		TTDS-051		
		APPLICATION SPEC		
			SIZE	CAGE CODE
		WEIGHT	A3	C2290
			DRAWING NO	
			G-NC-191762-5-9	
		CUSTOMER DRAWING	RESTRICTED TO	
			SCALE	SHEET
			NTS	1 OF 1
			REV	C