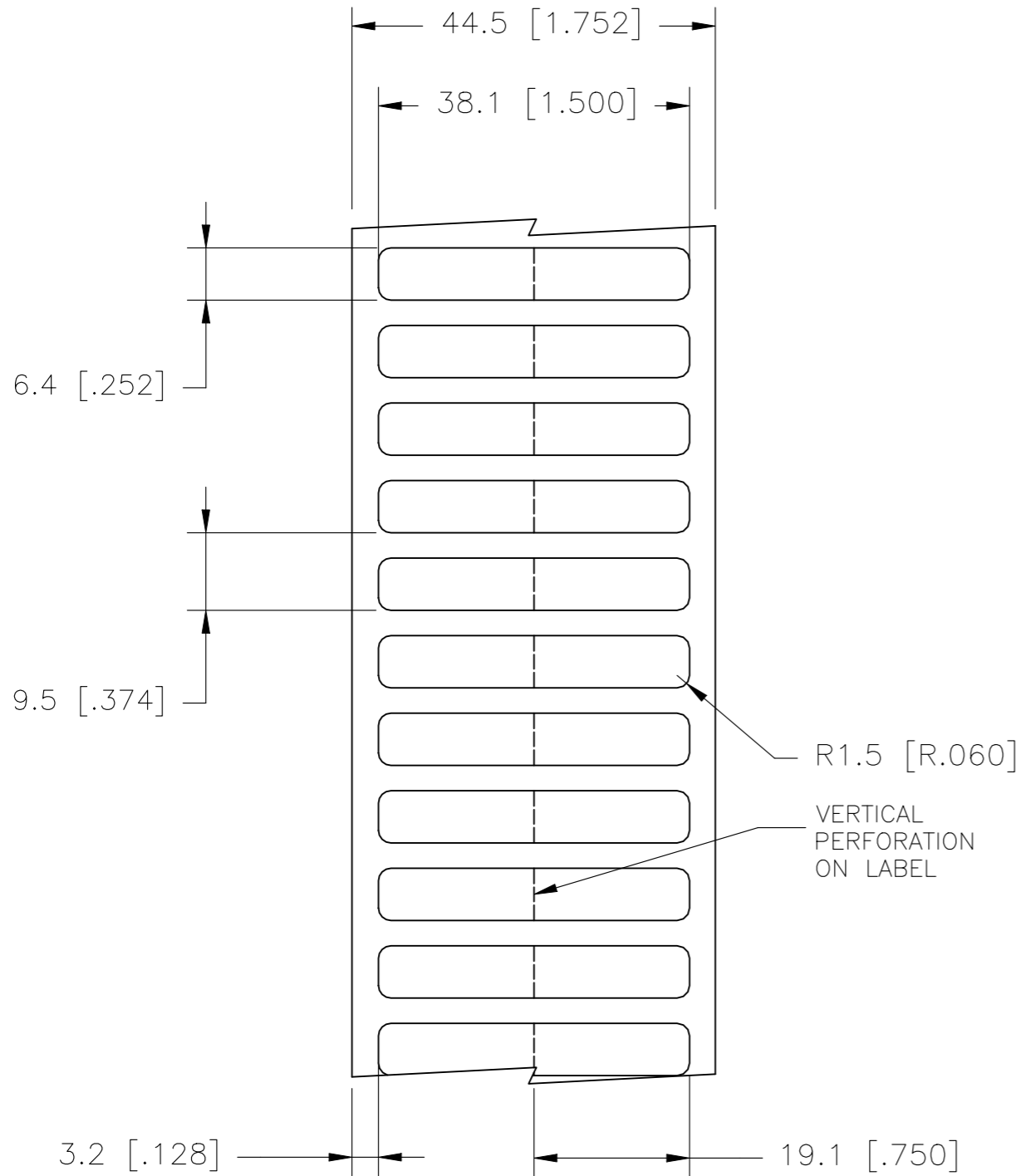
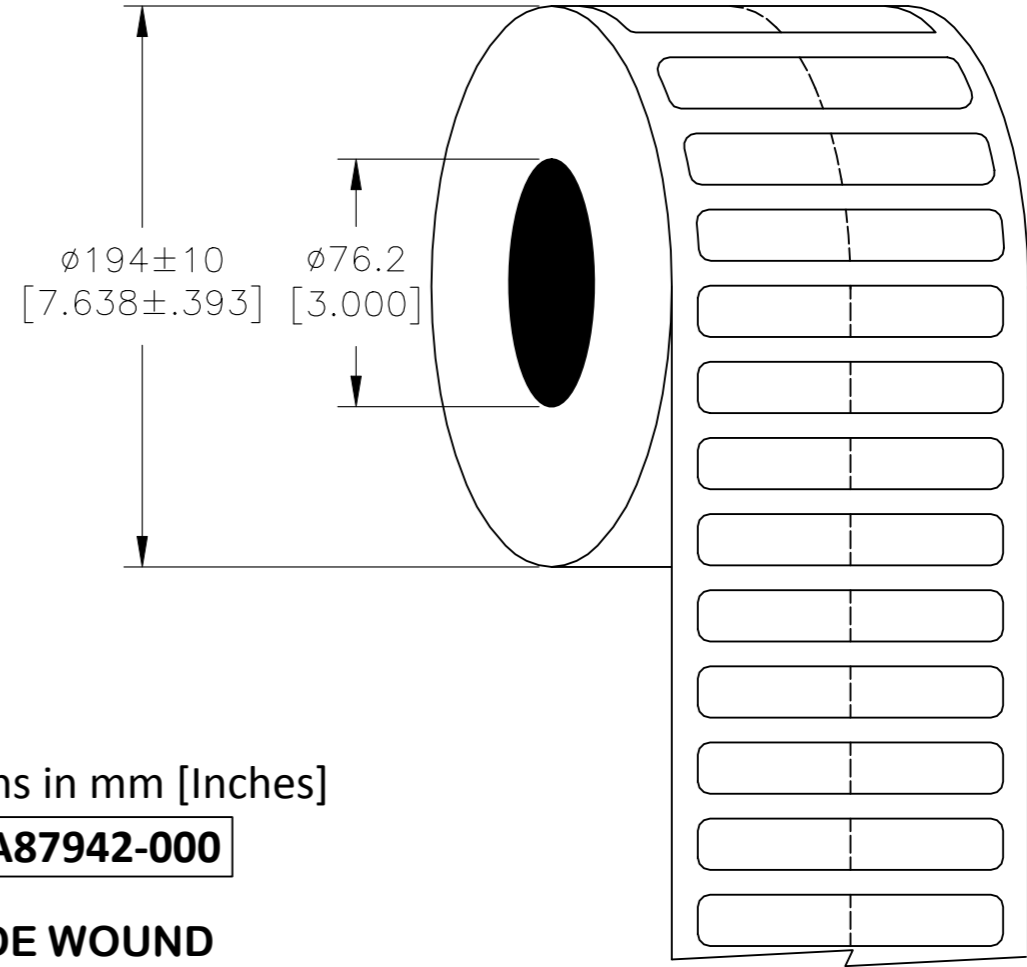


P	LTR	DESCRIPTION	DATE	DWN	APVD
	E	INITIAL RELEASE	25AUG2021	GK	MN

# LABEL AND LINER DESIGN



# PRESENTATION



All dimensions in mm [Inches]

**TE PN: A87942-000**

**OUTSIDE WOUND  
LABEL ACROSS: 1  
PER ROLL QTY: 10000**

MATERIAL	NYLON CLOTH
ADHESIVE TYPE	PERMANENT ACRYLIC
LINER	GLASSINE PAPER

TOLERANCES mm [INCH]	
LABEL HEIGHT:	$\pm 0.3$ [.012]
LABEL WIDTH:	$\pm 0.3$ [.012]
WEB WIDTH:	$\pm 0.8$ [.031]
VERTICAL REPEAT:	$\pm 0.8$ [.031]*
HORIZONTAL REPEAT:	$\pm 0.8$ [.031]*
PRINT POSITIONING:	$\pm 0.8$ [.031]*
LEFT MARGIN:	$\pm 0.4$ [.016]
QUANTITY:	-0 % +2 %
*NON ACCUMULATING	

THIS DRAWING IS A CONTROLLED DOCUMENT.	
DIMENSIONS: mm [INCHES]	TOLERANCES UNLESS OTHERWISE SPECIFIED:
	0 PLC $\pm -$
	1 PLC $\pm -$
	2 PLC $\pm -$
	3 PLC $\pm -$
	4 PLC $\pm -$
ANGLES $\pm -$	FINISH $\pm -$
MATERIAL SEE TABLE	

DWN GOPALAKRISHNA HV 25AUG2021	TE Connectivity NC - NYLON CLOTH LABELS
CHK MIKE NUTTALL 25AUG2021	
APVD MIKE NUTTALL 25AUG2021	
PRODUCT SPEC TTDS-051	
APPLICATION SPEC	NAME
WEIGHT 0.066g	SIZE A3
CUSTOMER DRAWING	CAGE CODE C2290
	DRAWING NO G-NC-381064-10-S1-9
	RESTRICTED TO
	SCALE NTS
	SHEET 1 OF 1
	REV E