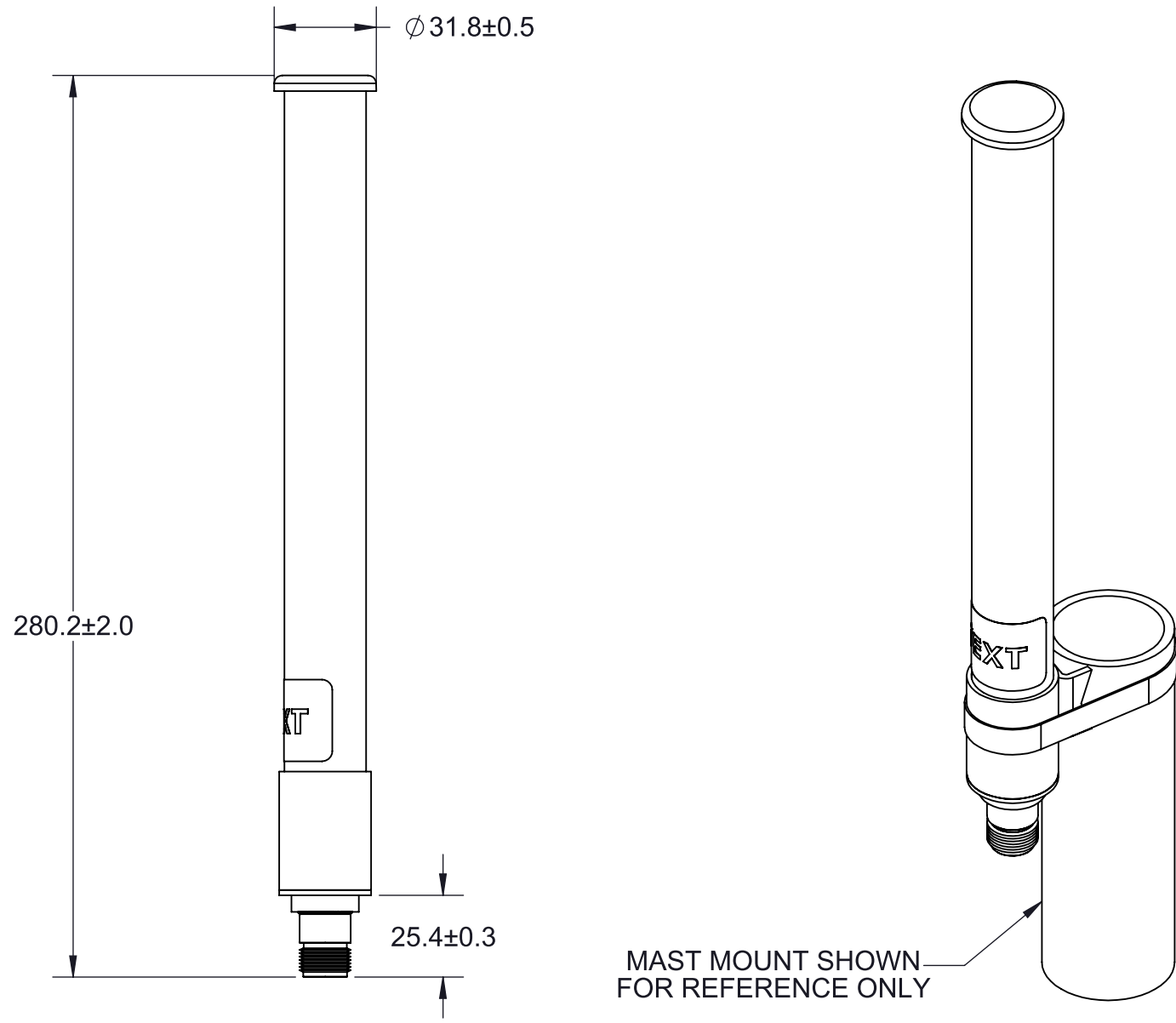


6 5 4 3 2 1

REVISIONS					
REV.	ECR#	ZONE	DESCRIPTION	CHANGED BY/DATE	APPROVED BY/DATE
AA			PRELIMINARY RELEASE	S.J. 9/7/2010	S.J. 9/7/2010
AB	MAN-4289		REMOVED DRAIN SLOT AND VENTED CAP NOTES, ADDED MOUNTING TO CHART	S.J. 3/16/2011	K.S. 3/17/11

D



PARAMETER	PERFORMANCE	
MODEL NUMBER	OC24516-FNM	
FREQUENCY/GAIN	2400-2500MHz	3dBi TYP
FREQUENCY/GAIN	5150-5850MHz	6dBi TYP
POLARIZATION	LINEAR, VERTICAL	
VSWR	2.0:1	
ELEVATION PLANE 3dB BEAMWIDTH	50° @ 2400-2500MHz 18° @ 5150-5850MHz	
AZIMUTH PLANE 3dB BEAMWIDTH	360°	
CONNECTOR TYPE	FIXED N-FEMALE	
POWER	10W	
MOUNTING	CONNECTOR FIXED OR MAST MOUNT KIT, UPRIGHT OR INVERTED ORIENTATION	
WEIGHT (W/OUT MOUNTING KIT)	0.16kg	

C

B

A

THIS DRAWING IS UNPUBLISHED. RELEASED FOR PUBLICATION - , -
 © Copyright 2022 TE Connectivity Ltd. ALL RIGHTS RESERVED.

MATERIAL: N/A		THIRD ANGLE PROJECTION			
FINISH: N/A		DO NOT SCALE DRAWING			
APPROVALS		DATE		TITLE: <h1>OC24516-FNF</h1>	
DRAWN BY	S. JOHNSON	9/7/10			
PROJ. ENG.	T. PETROPOULOS	9/13/10			
APPL. MECH.	K. SEARL	9/10/10			
MFG.	I. CHICKLIS	9/10/10		SIZE <h2>A3</h2>	
INTERPRET DIMENSIONING AND TOLERANCING IN ACCORDANCE WITH ASME Y14.5M-2009 TOLERANCES UNLESS OTHERWISE SPECIFIED DIMENSIONS ARE IN MILLIMETERS				DWG. NO. <h1>OC24516-FNFMO</h1>	
ANGLE: ±30' 0 PLACE DECIMAL: ±0.5 1 PLACE DECIMAL: ±0.25 2 PLACE DECIMAL: ±0.13 SURFACE ROUGHNESS 1.6/√				REV <h2>AB</h2>	
SCALE: 1:2				PREVIOUS#	
				SHEET 1 OF 1	

6 5 4 3 2 1