

6

5

4

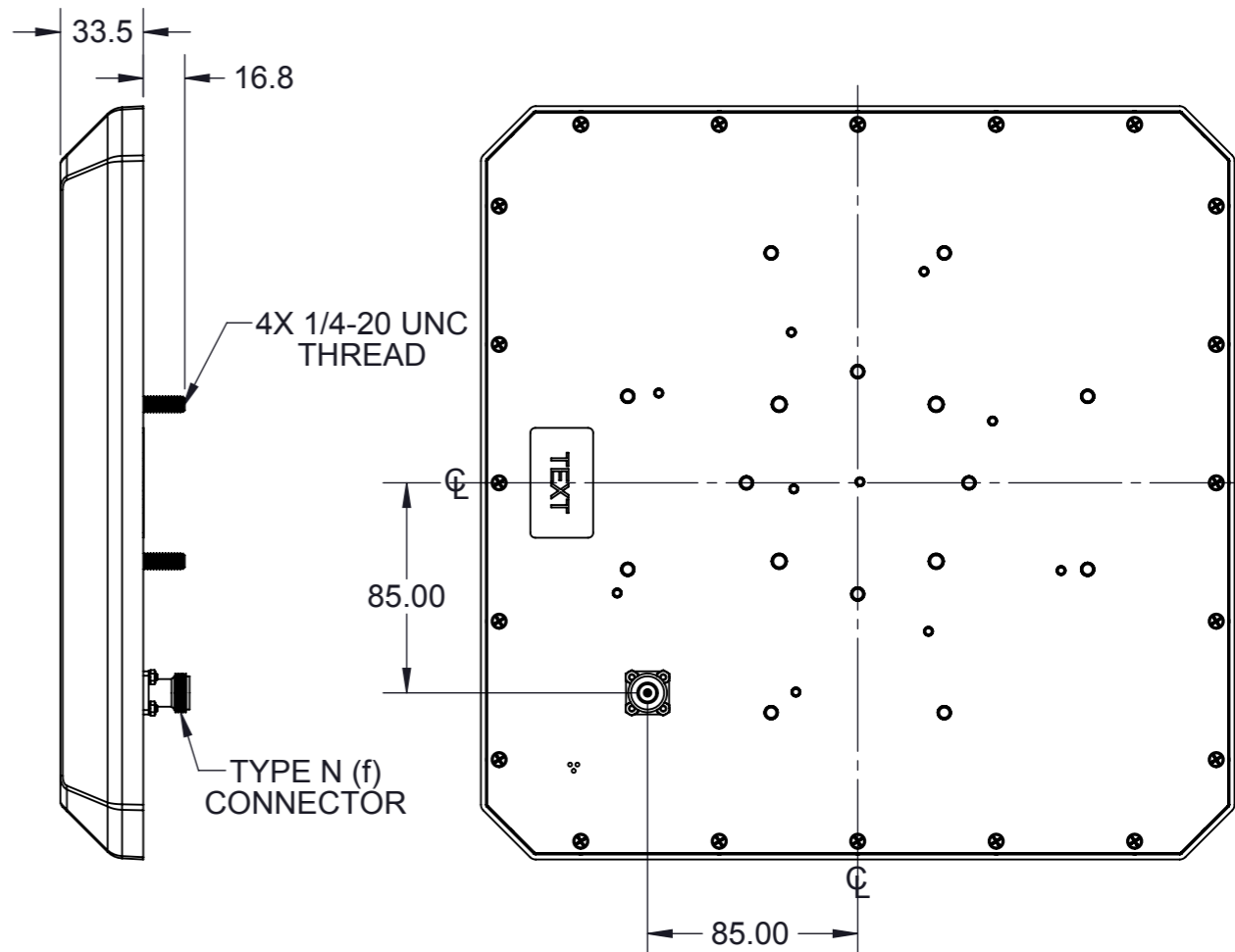
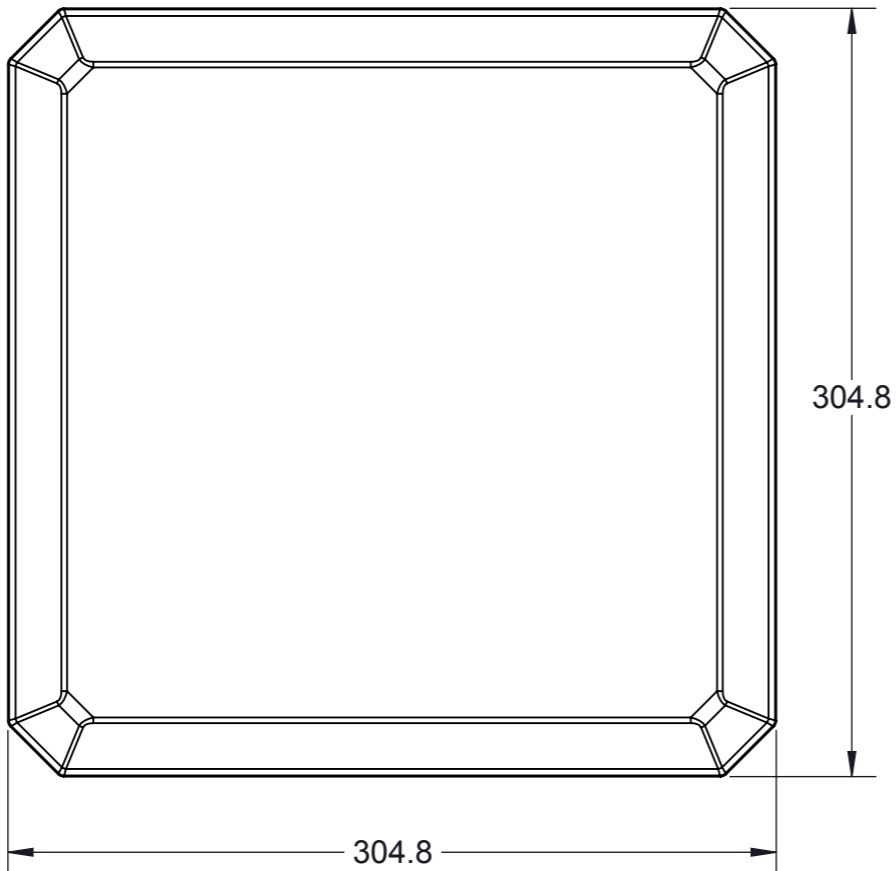
3

2

1

Parameter	Performance
Model Number	PAL902010-FNF
Antenna Type	Circularly Polarized Panel
RF Connector	Fixed Type-N Female
Polarization	Left Hand Circular
Frequency	902-928 MHz
VSWR Max.	1.5:1
Maximum Gain	9.6 dBic
Typical Gain	9.5 dBic
Phi = 0° Co-Polar Beam Width	60°
Phi = 90° Co-Polar Beam Width	62°
Front to Back	16.9
Power	50W
Axial Ratio	1.3:1 dB Typical
Weight	1.1kg
Wind Operational	160 km/h (100 mph)
Wind Survival	219 km/h (136 mph)
Ingression Protection	IP-67
Operating Temperature	-40°C to +70°C
Storage Temperature	-40°C to +85°C
Non-Operational Altitude	15,000 feet (4,572 meters)
Radome Material	ASA, U.V. STABILIZED
Flammability, UL94	HB
Articular Mount	Optional

REVISIONS					
REV.	ECN#	ZONE	DESCRIPTION	CHANGED BY/DATE	APPROVED BY/DATE
F01	ECN-IAS-05742		PRODUCTION RELEASE	S.J. 06SEP16	S.J. 06SEP16
F02	ECN-IAS-05761	B4	REMOVED dBil VALUES FROM GAIN, ADDED AXIAL RATIO	S.J. 15SEP16	R.C. 15SEP16
F03	ECN-IAS-05792	A4	ADDED POWER 50W TO PERFORMANCE CHART	S.J. 27SEP16	H.R. 27SEP16
F04	ECN-IAS-06028	CHART	ADDED RADOME MATERIAL ASA, U.V. STABILITY, FLAMMABILITY UL94, REMVD GUST FROM WIND SURVIVAL.	M.L. 05FEB17	R.C. 08FEB 17



<b>MATERIAL:</b> N/A		THIRD ANGLE PROJECTION 
<b>FINISH:</b> N/A		
APPROVALS		DO NOT SCALE DRAWING
DRAWN BY	S. JOHNSON	DATE
ELEC. ENG.	T. PETROPOULOS	06SEP16
MECH. ENG.	M. MCGINNIS	06SEP16
MFG./OPS.	B. THATCHER	06SEP16

INTERPRET DIMENSIONING AND TOLERANCING IN ACCORDANCE WITH ASME Y14.5M-2009

**TOLERANCES UNLESS OTHERWISE SPECIFIED**

DIMENSIONS ARE IN MILLIMETERS

ANGLE: ±30'  
 0 PLACE DECIMAL: ±0.5  
 1 PLACE DECIMAL: ±0.25  
 2 PLACE DECIMAL: ±0.13

SURFACE ROUGHNESS 1.6/√

**TE connectivity**

TITLE: **PAL902010-FNF**

SIZE **A3** DWG. NO. **PAL902010-FNFM0** REV **F04**

SCALE: 1:3 PREVIOUS# SHEET 1 OF 1

THIS DRAWING IS UNPUBLISHED. RELEASED FOR PUBLICATION

© Copyright 2022 TE Connectivity Ltd. ALL RIGHTS RESERVED.

6

5

4

3

2

1