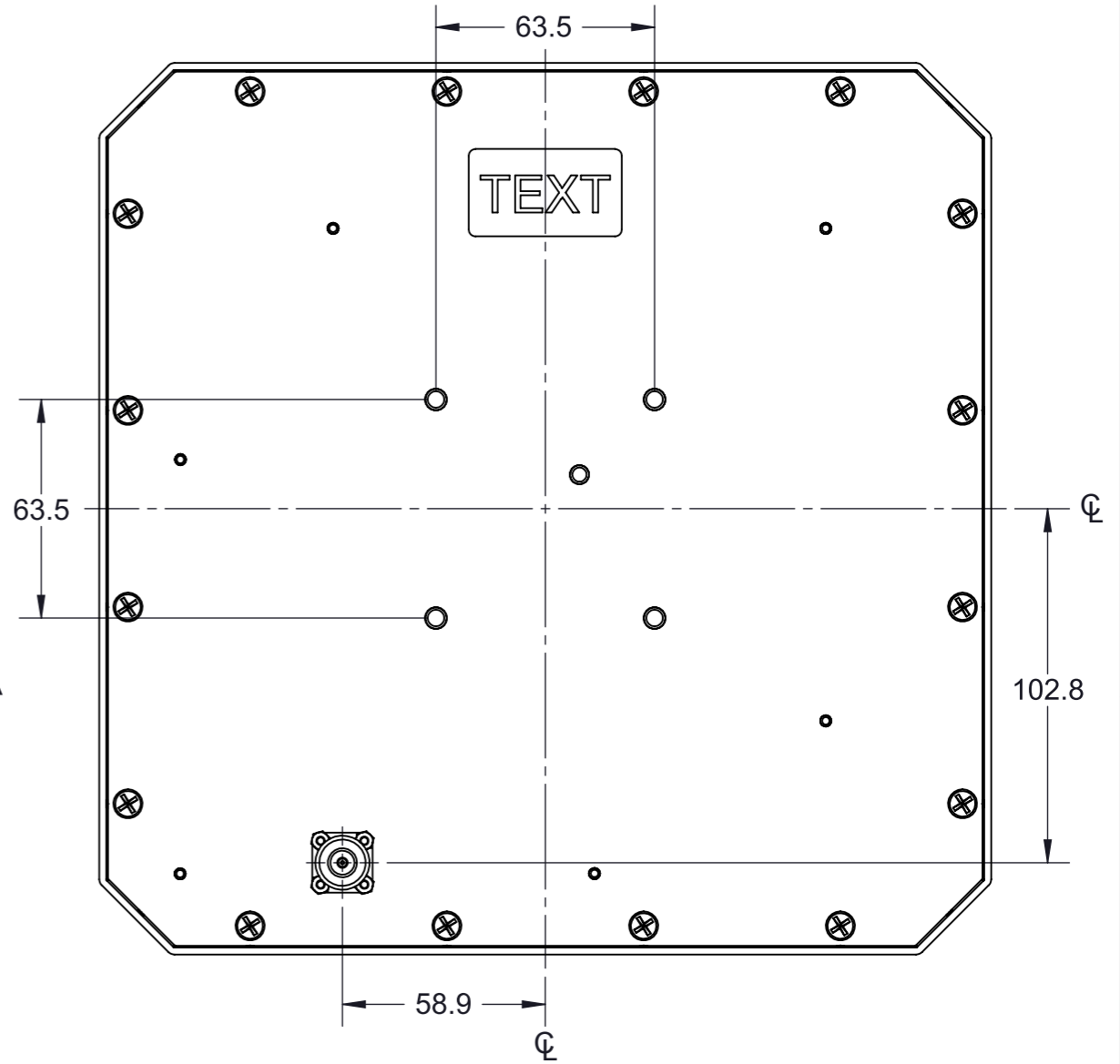
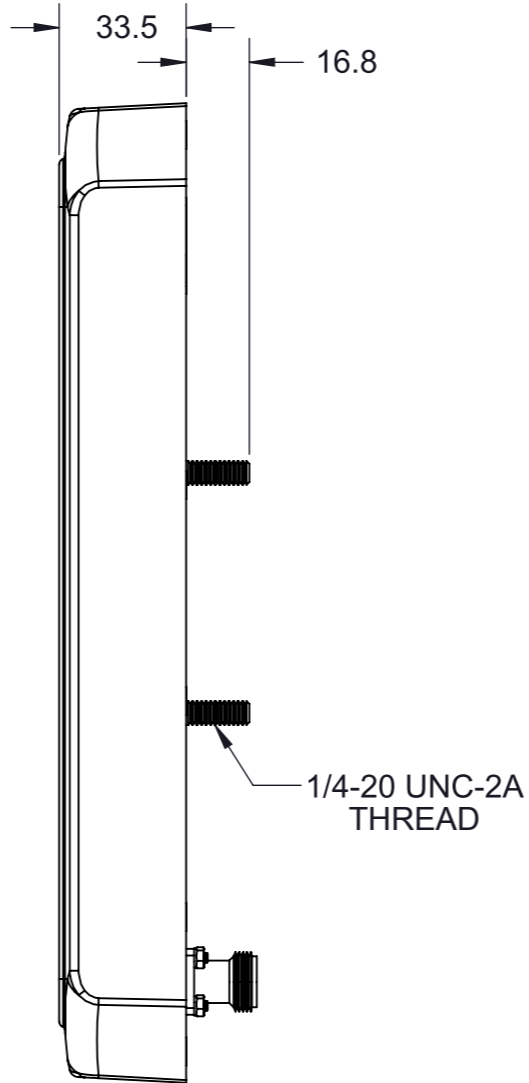
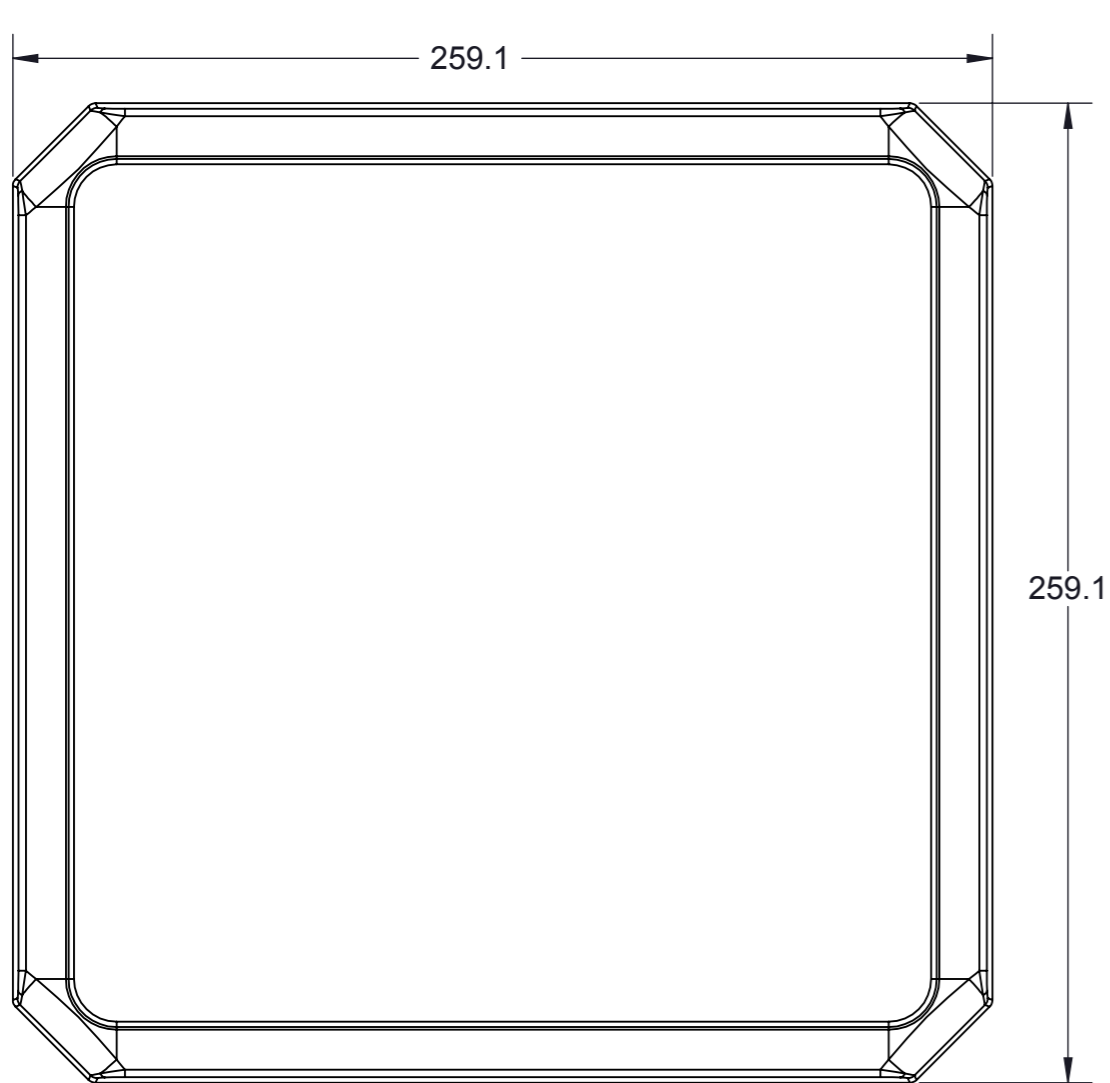


THIS DRAWING IS UNPUBLISHED.	RELEASED FOR PUBLICATION
© Copyright 2022 TE Connectivity Ltd.	ALL RIGHTS RESERVED.

REVISIONS					
REV.	ECR#	ZONE	DESCRIPTION	CHANGED BY/DATE	APPROVED BY/DATE
AA			PRODUCTION RELEASE	S.J. 7/9/2012	S.J. 7/9/2012



Parameter	Performance
Antenna Part Number	PAR90209H-FNF
Frequency	902-928 MHz
Gain	9dBic
Polarization	Right Hand Circular
VSWR	1.3:1
Beamwidth (3dB)	70° x 70°
Front to Back Ratio	20 dB
Axial Ratio	1 dB Typical
RF Connector	Fixed Type N-female
Power	10 Watts
Weight	1.0 kg

MATERIAL: N/A		THIRD ANGLE PROJECTION
FINISH: N/A		
APPROVALS		DO NOT SCALE DRAWING
DRAWN BY	S. JOHNSON	DATE
PROJ. ENG.	T. PETROPOULOS	7/10/12
APPL. MECH.	K. SEARL	7/10/12
MFG.	B. THATCHER	7/10/12

INTERPRET DIMENSIONING AND TOLERANCING IN ACCORDANCE WITH ASME Y14.5M-2009

TOLERANCES UNLESS OTHERWISE SPECIFIED

DIMENSIONS ARE IN MILLIMETERS

ANGLE: ±30'
 0 PLACE DECIMAL: ±0.5
 1 PLACE DECIMAL: ±0.25
 2 PLACE DECIMAL: ±0.13

SURFACE ROUGHNESS 1.6/√

TE connectivity

TITLE: **PAR90209H-FNF**

SIZE: **A3** DWG. NO.: **PAR90209H-FNFMO** REV: **AA**

SCALE: 1:2 PREVIOUS# SHEET 1 OF 1