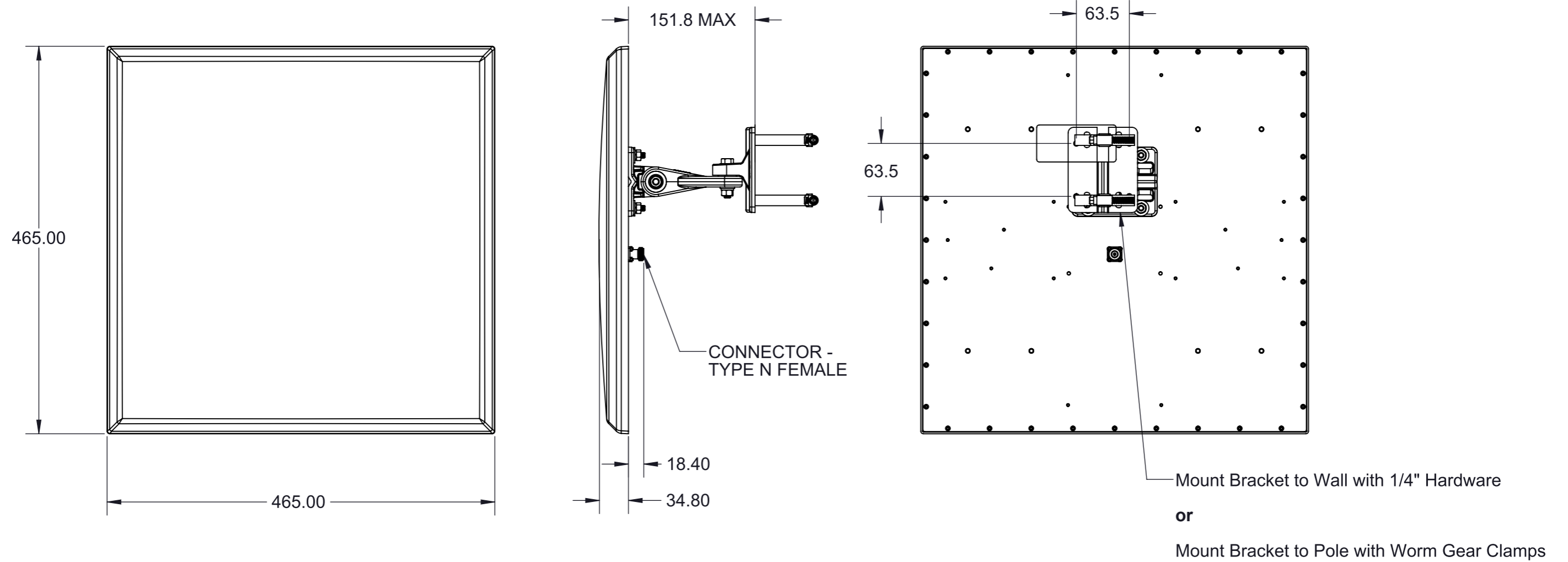



THIS DRAWING IS UNPUBLISHED.	RELEASED FOR PUBLICATION	- , - .
© Copyright 2022 TE Connectivity Ltd.	ALL RIGHTS RESERVED.	

REVISIONS					
REV.	ECR#	ZONE	DESCRIPTION	CHANGED BY/DATE	APPROVED BY/DATE
AA			INITIAL RELEASE	MJM 8-20-13	ER 8-19-13



Parameter	Performance
Antenna Part No.	PAV865014-FNF
Frequency	865-870MHz
Gain (dBi)	13.8 nominal
Nominal Impedance	50 Ohm
DC Resistance	Short
Polarization	Linear (Vertical)
Max. VSWR	1.4:1
Horizontal 3 dB Beamwidth	38 Degree
Vertical 3 dB Beamwidth	41 Degree
Front to Back Ratio	15 dB
RF Conector	N-Female
Power	6 Watts
Weight	2.7kg (5.94lbs)
ROHS	Compliant

MATERIAL: NA		THIRD ANGLE PROJECTION				
FINISH: NA		DO NOT SCALE DRAWING				
APPROVALS		DATE		TITLE:		
DRAWN BY	W. LIBERIS	10-24-12		PAV865014-FNF		
PROJ. ENG.	W. CHANG	8-20-13				
APPL. MECH.	E. RUSSELL	8-20-13				
MFG.	B.THATCHER	8-20-13		INTERPRET DIMENSIONING AND TOLERANCING IN ACCORDANCE WITH ASME Y14.5M-2009 TOLERANCES UNLESS OTHERWISE SPECIFIED DIMENSIONS ARE IN MILLIMETERS		
		ANGLE: ±30' 0 PLACE DECIMAL: ±0.5 1 PLACE DECIMAL: ±0.25 2 PLACE DECIMAL: ±0.13 SURFACE ROUGHNESS 1.6/√		SIZE A3	DWG. NO. PAV865014-FNFMO	REV AA
		SCALE: 1:5		PREVIOUS#	SHEET 1 OF 1	