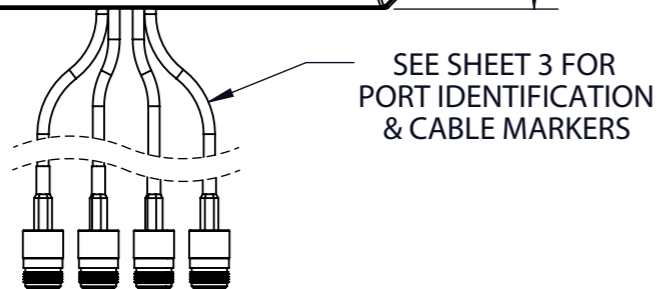
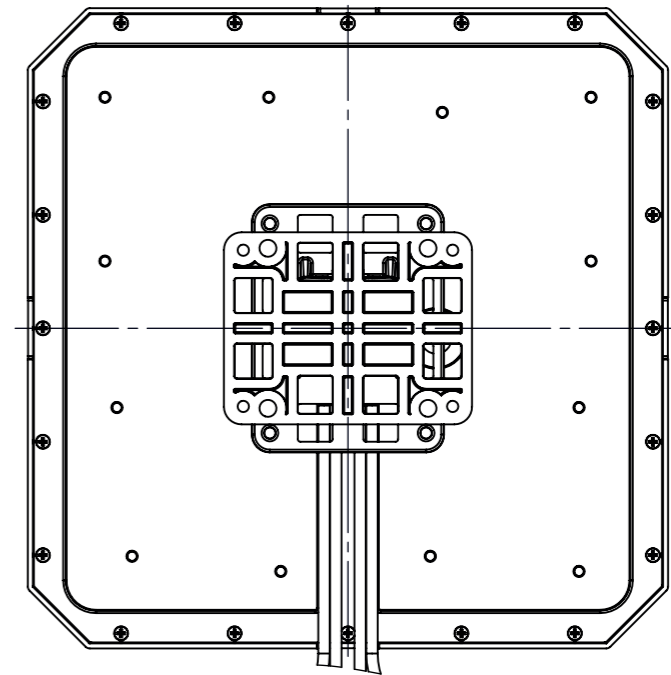
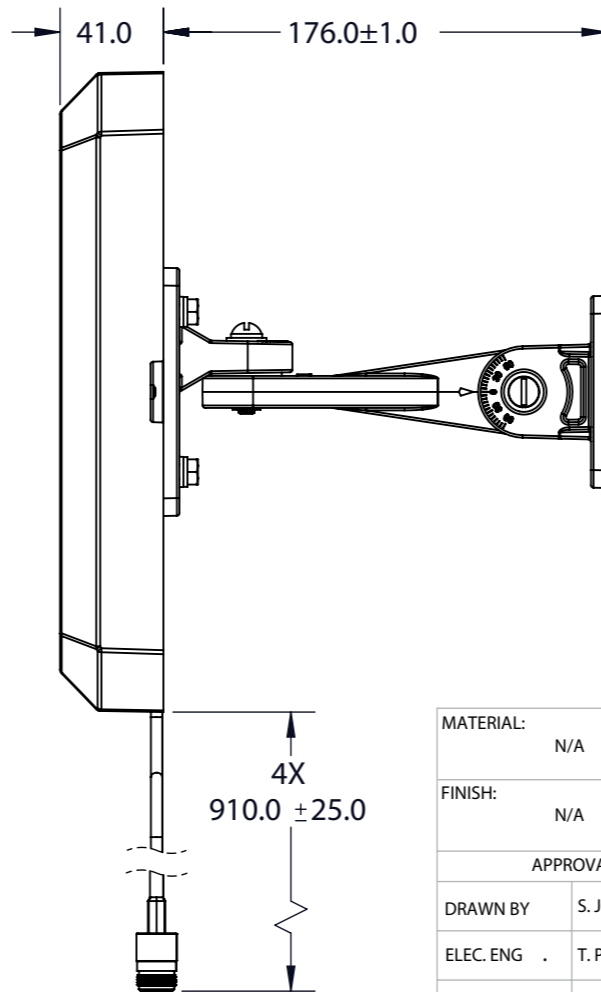
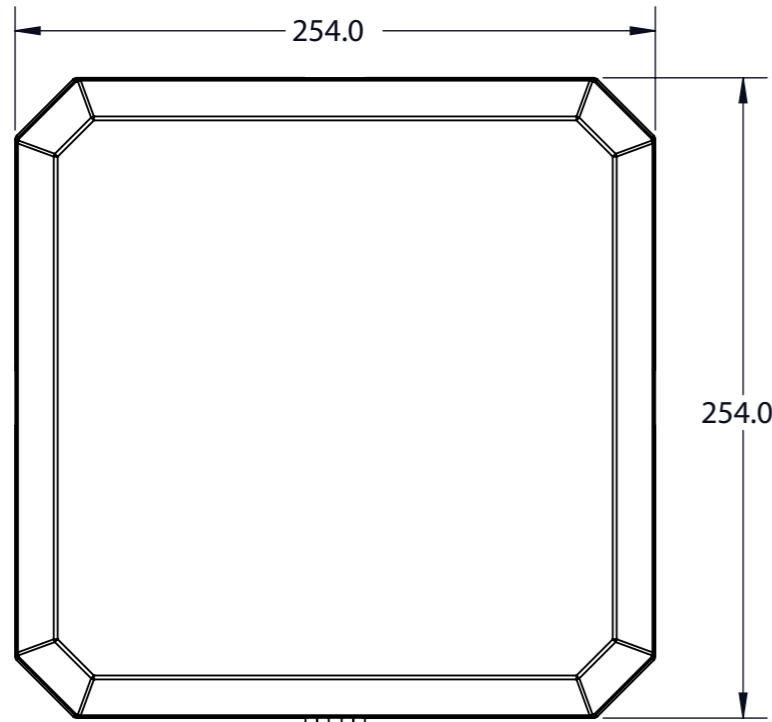


| Parameter | Performance | |
|---|---|--|
| TE Model Number | PDQ24499-91NF | |
| Frequency | 2400-2500 MHz | 4900-5950 MHz |
| Peak Gain | 7.8 dBi | 9.4 dBi |
| Azimuth Plane 3-dB Beamwidth V-Pol, Typical | 75° | 62° |
| Azimuth Plane 3-dB Beamwidth H-Pol, Typical | 66° | 57° |
| Elevation Plane 3-dB Beamwidth V-Pol, Typical | 62° | 50° |
| Elevation Plane 3-dB Beamwidth H-Pol, Typical | 73° | 65° |
| Polarization | 2 Ports Horizontal, 2 Ports Vertical | |
| VSWR | <2.0:1 | |
| Impedance | 50 Ω | |
| Maximum Input Power (per port) | 10 Watts | |
| Port to Port Isolation | >30 dB | |
| F/B Ratio | >15 dB | |
| Cable Length | (4X 860 mm ±25.0) | |
| Cable Type | Low Temperature, Plenum Rated Cable | |
| RF Connector | 4X Type-N Female | |
| Radome Material | Polycarbonate, UL94 V0, UV Stable, White | |
| Weight | 1.14 kg (2.50 lb) w/out Mount | |
| Mounting | Articulating Mount, Mast or Flush Mount | |
| Wind Surface Area | @0°, 0.063 m ² (0.68 ft ²) | @90°, 0.016 m ² (0.17 ft ²) |
| Wind Survival | 220 km/h (137 mph) | |
| Wind Operational | 160 km/h (100 mph) | |
| Ingression Protection | IP-67 | |
| Operating Temperature | -40 °C to +70 °C | |
| Operating Humidity (RH) | 5% to 100% (non-condensing) | |
| Storage Temperature | -40 °C to +85 °C | |
| Storage Humidity (RH) | 5% to 95% (non-condensing) | |

| REVISIONS | | | | | |
|-----------|---------------|------|--|-----------------|------------------|
| REV. | ECN# | ZONE | DESCRIPTION | CHANGED BY/DATE | APPROVED BY/DATE |
| AA | ECN-IAS-04272 | | PRODUCTION RELEASE | S.J. 26JUN15 | S.J. 26JUN15 |
| F01 | ECN-IAS-04893 | | UPDATED GAIN AND BEAMWIDTHS BASED ON PRODUCTION DATA | S.J. 07DEC15 | T.P. 07DEC15 |
| F02 | ECN-IAS-05044 | | CHANGED RADOME MATERIAL FROM PC/ABS, WHITE TO POLYCARBONATE, UL94 V0, UV STABLE, WHITE | S.J. 01FEB16 | M.M. 01FEB16 |
| F03 | ECN-IAS-05879 | | CHANGED Wind Survival was 200. Changed Wind Operational was 266. | M.L. 11NOV16 | S.J. 11NOV16 |



| | | |
|------------|----------------|---------|
| MATERIAL: | N/A | |
| FINISH: | N/A | |
| APPROVALS | | DATE |
| DRAWN BY | S. JOHNSON | 23APR15 |
| ELEC. ENG. | T. PETROPOULOS | 02JUL15 |
| MECH. ENG. | M. MCGINNIS | 02JUL15 |
| MFG./OPS. | B. THATCHER | 02JUL15 |

THIRD ANGLE PROJECTION

DO NOT SCALE DRAWING

INTERPRET DIMENSIONING AND TOLERANCING IN ACCORDANCE WITH ASME Y14.5M-2009

TOLERANCES UNLESS OTHERWISE SPECIFIED

DIMENSIONS ARE IN MILLIMETERS

ANGLE: ±30'
0 PLACE DECIMAL: ±0.5
1 PLACE DECIMAL: ±0.25
2 PLACE DECIMAL: ±0.13

SURFACE ROUGHNESS 1.6



PDQ24499-91NF

| | | |
|------------|-----------------|--------------|
| SIZE | DWG. NO. | REV |
| A3 | PDQ24499-91NFMO | F03 |
| SCALE: 1:3 | PREVIOUS# | SHEET 1 OF 3 |

6

5

4

3

2

1

D

D

C

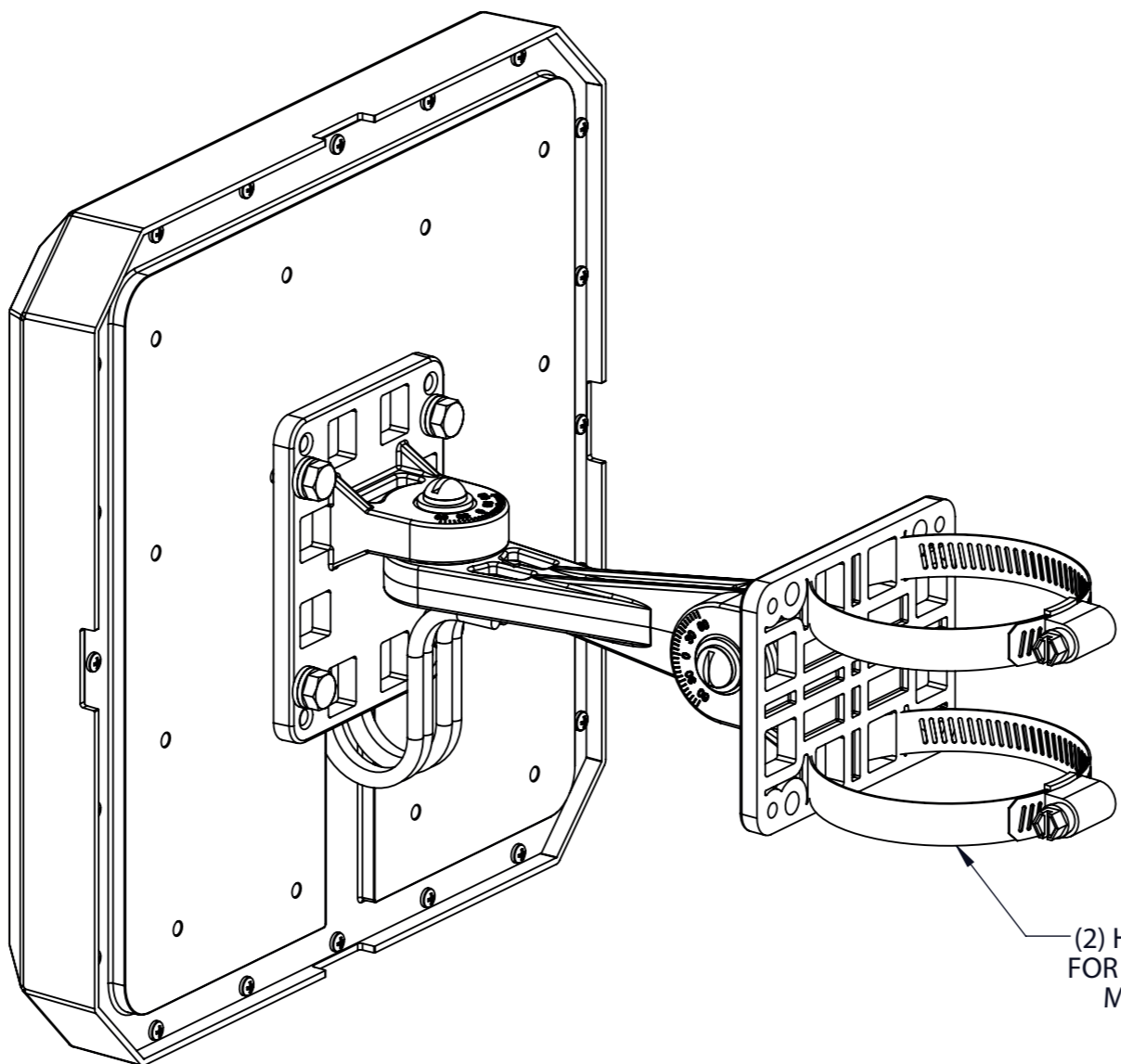
C

B

B

A

A



(2) HOSE CLAMPS PROVIDED
FOR MAST MOUNTING WITH A
MAST RANGE FROM 2"-5"



| | | |
|-------------------|------------------------------------|-------------------|
| SIZE A3 | DWG. NO. PDQ24499-91NFMO | REV F03 |
| SCALE: 1:2 | PREVIOUS# | SHEET 2 OF 3 |

6

5

4

3

2

1

6 5 4 3 2 1

D

D

C

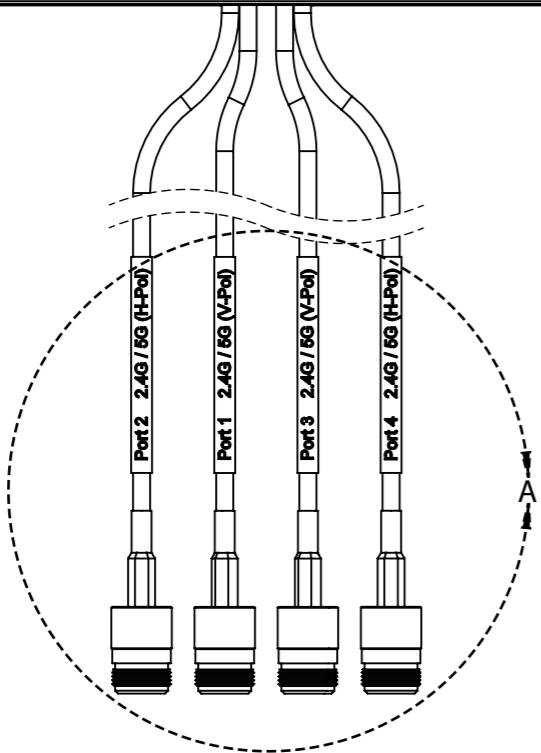
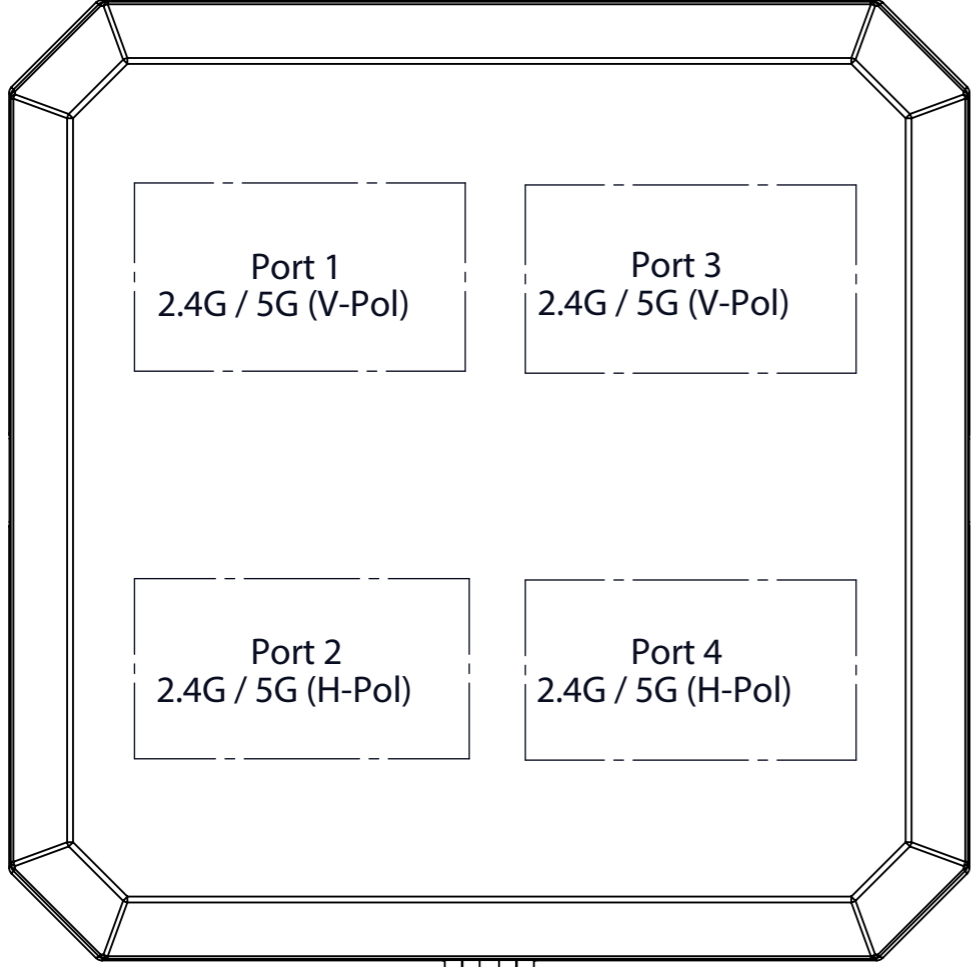
C

B

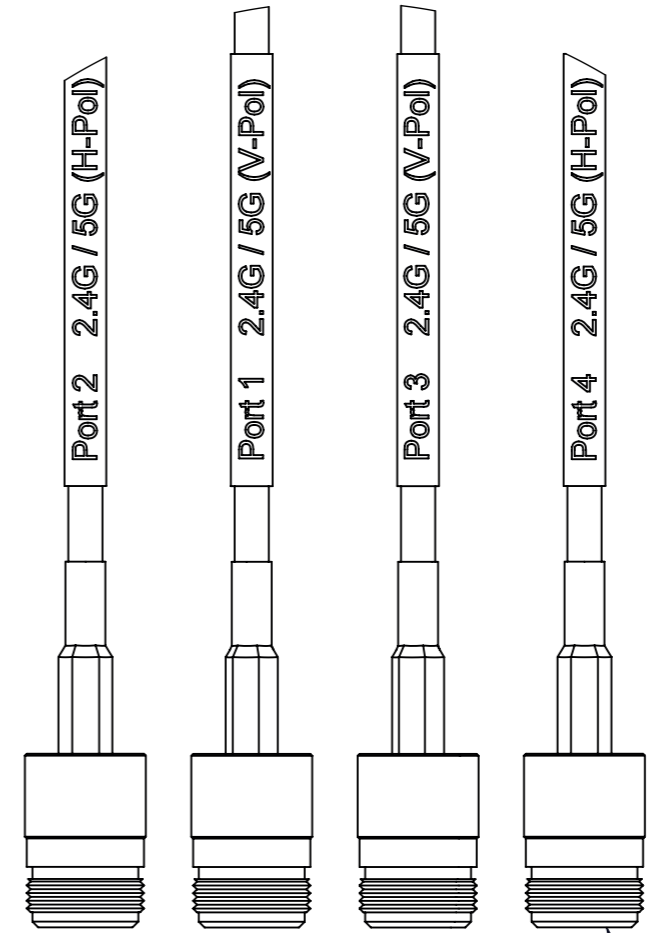
B

A

A



PLEASE NOTE THAT ALL CABLES
EXIT THE HOUSING THROUGH A
CENTRAL HUB AND THE CABLE ORDER
WILL BE SOMEWHAT ARBITRARY.



DETAIL A
SCALE 1 : 1

4X TYPE-N FEMALE



| | | |
|-------------------|------------------------------------|-------------------|
| SIZE A3 | DWG. NO. PDQ24499-91NFMO | REV F03 |
| SCALE: 1:2 | PREVIOUS# | SHEET 3 OF 3 |

6 5 4 3 2 1