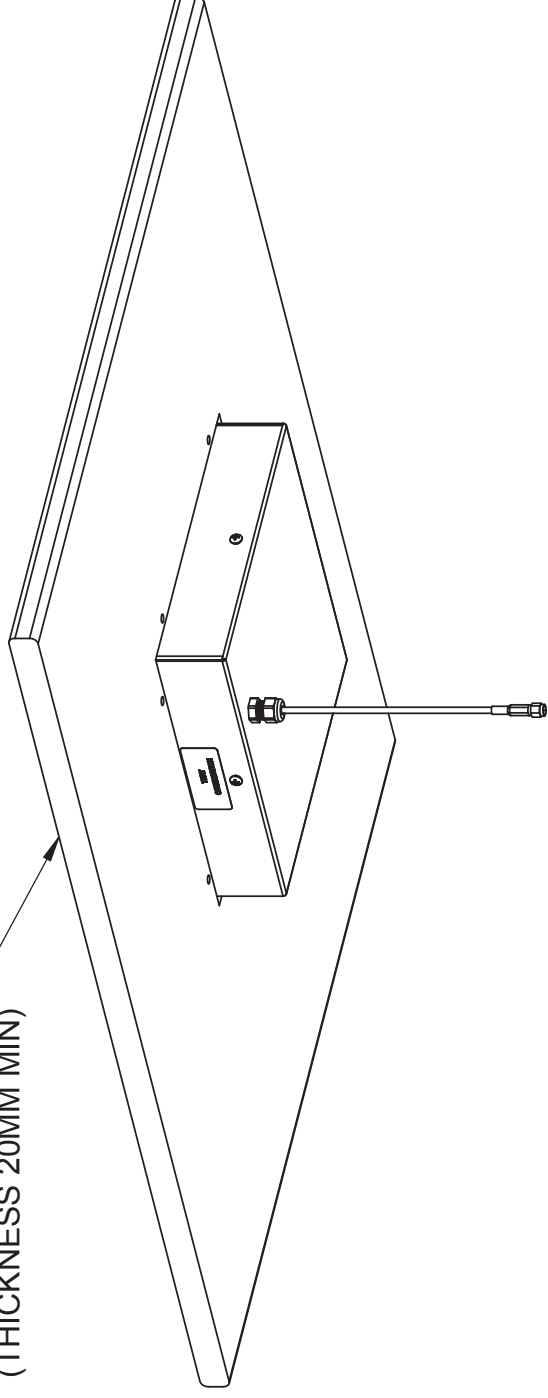
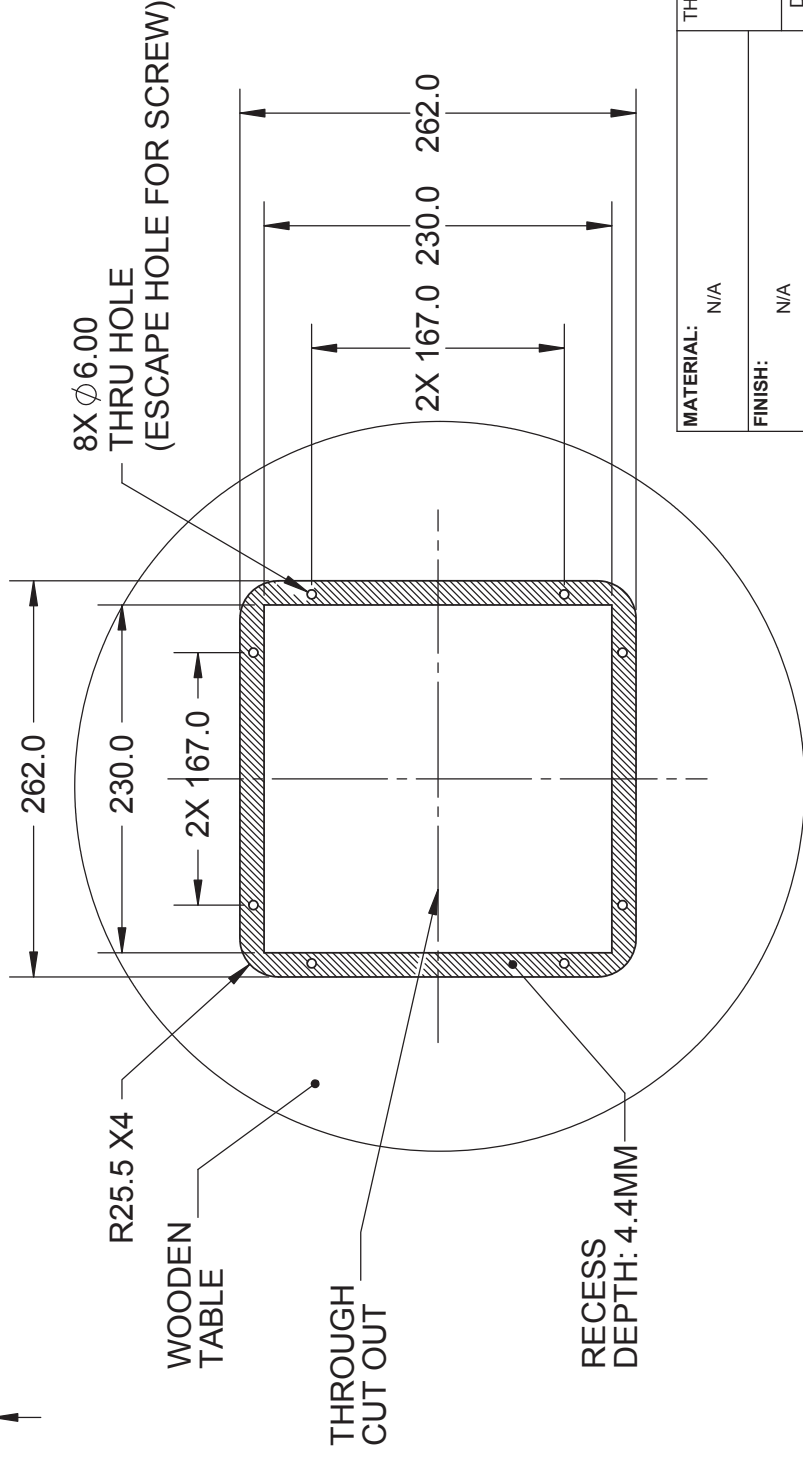
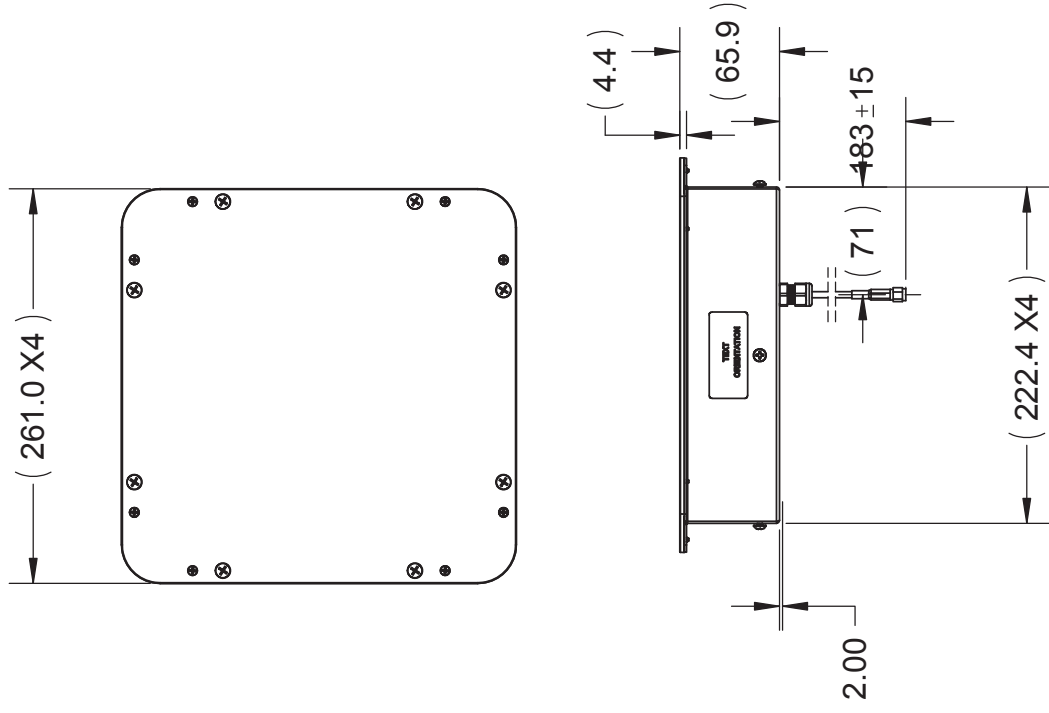


REVISIONS			
REV.	ECR#	ZONE	DESCRIPTION
AA			PRODUCTION RELEASE
			WT NG 11-08-13
			HANG 11-08-13

WOODEN TABLE
(THICKNESS 20MM MIN)

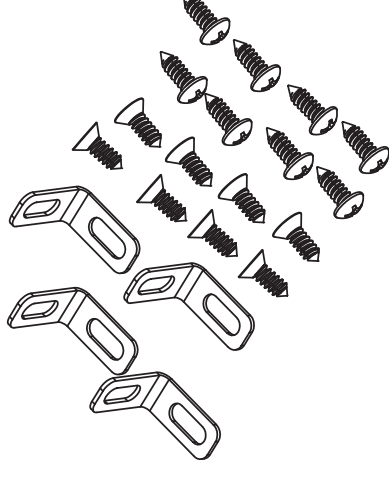


MOUNTED FLUSH TO TABLE TOP
 - CABLE ROUTE UNDER TABLE
 - MOUNTED FLUSH TO TABLE TOP WITH 8 COUNTERSINK
 SCREW M3X6MM.



RECOMMENDED TABLE CUT OUT SIZE

Parameter	Specification
Antenna Part Number	PNL90206BC-183SMAM
Frequency Band	902 - 928 MHz
Gain	6 dBi peak
Polarization	Left Handed Circular Polarized
Impedance	50 ohm
VSWR	1.7:1
Power Rating	1 W (average) 10 W (peak)
Cable Type	RG-58 (White)
Total Cable Length	1830 ± 15mm
Connector Type	SMA, Male, Crimp Mount
Plastic Cover Color	Black
Unit Weight	1.40kg Approximately



HARDWARE KIT PER EACH UNIT

MATERIAL: N/A		THIRD ANGLE PROJECTION	
FINISH: N/A		DO NOT SCALE DRAWING	
APPROVALS		INTERPRET DIMENSIONING AND TOLERANCES IN ACCORDANCE WITH ASME Y14.5M-2009	
DRAWN BY	WT NG	DATE	08/30/10
PROJ. ENG.	LL TEOH		09/01/10
APPL. MECH.	GJ CHIN		09/01/10
MFG.	CH FONG		09/01/10
TOLERANCES UNLESS OTHERWISE SPECIFIED			
DIMENSIONS ARE IN MILLIMETERS			
ANGLE: ±30°			
0 PLACE DECIMAL: ±0.5			
1 PLACE DECIMAL: ±0.25			
2 PLACE DECIMAL: ±0.13			
SURFACE ROUGHNESS 1.6			



PNL90206BC-183SMAM

THIS DRAWING IS UNPUBLISHED.
 © Copyright 2022 TE Connectivity Ltd.
 RELEASED FOR PUBLICATION
 ALL RIGHTS RESERVED.

SIZE	DWG. NO	REV
A3	PNL90206BC-183SMAMMO	AA
SCALE: 1:5	PREVIOUS#	SHEET 1 OF 2

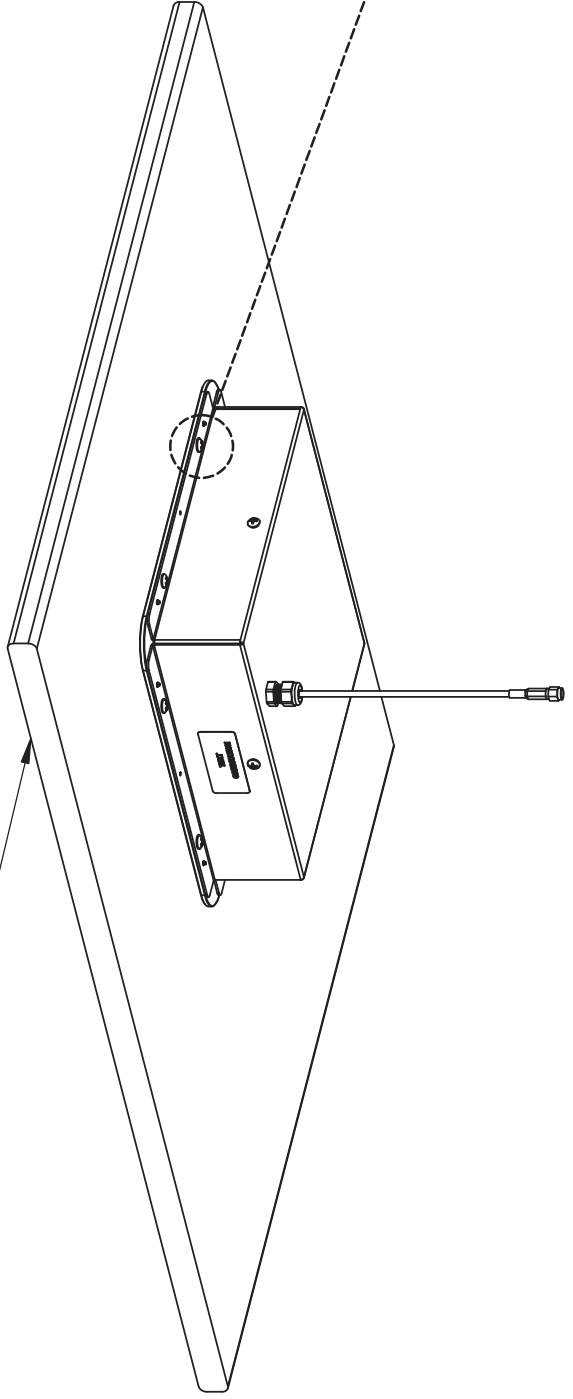
D

C

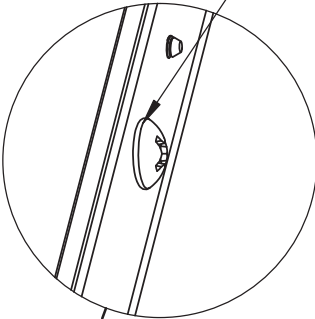
B

A

WOODEN TABLE
(THICKNESS 20MM MIN)



MOUNTED FLUSH TO UNDERSIDE OF TABLE
- CABLE ROUTE UNDER TABLE



8X PAN HEAD SCREWS,
M4.8X13MM, DIN7981C

DETAIL A
SCALE 1:1

D

C

B

A



SIZE	DWG. NO	REV
A3	PNL90206BC-183SMAMMO	AA

SCALE: 1:5	PREVIOUS#	SHEET 2 OF 2
------------	-----------	--------------

1 2 3 4 5 6

1 2 3 4 5 6