

6

5

4

3

2

1

REVISIONS					
REV.	ECR#	ZONE	DESCRIPTION	CHANGED BY/DATE	APPROVED BY/DATE
AA			INITIAL RELEASE	S.J. 7/23/2010	S.J. 7/23/2010

D

D

C

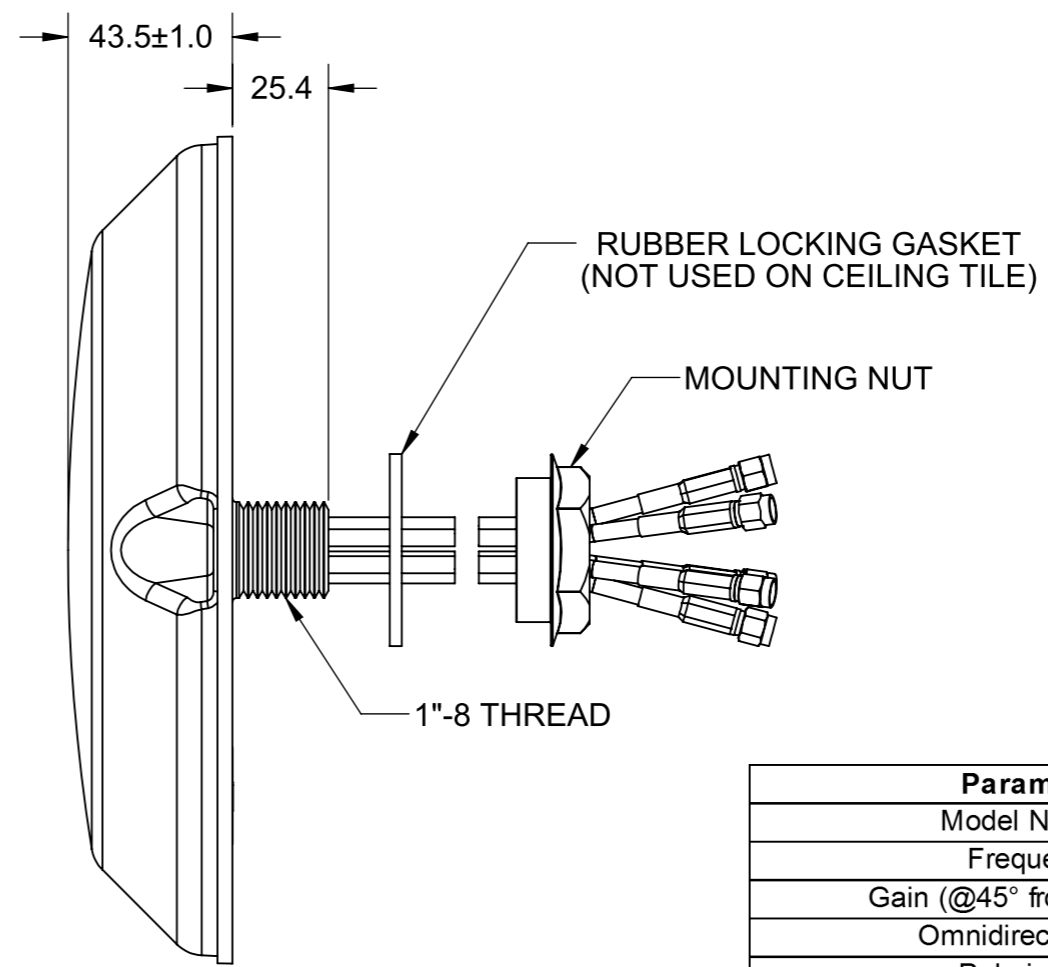
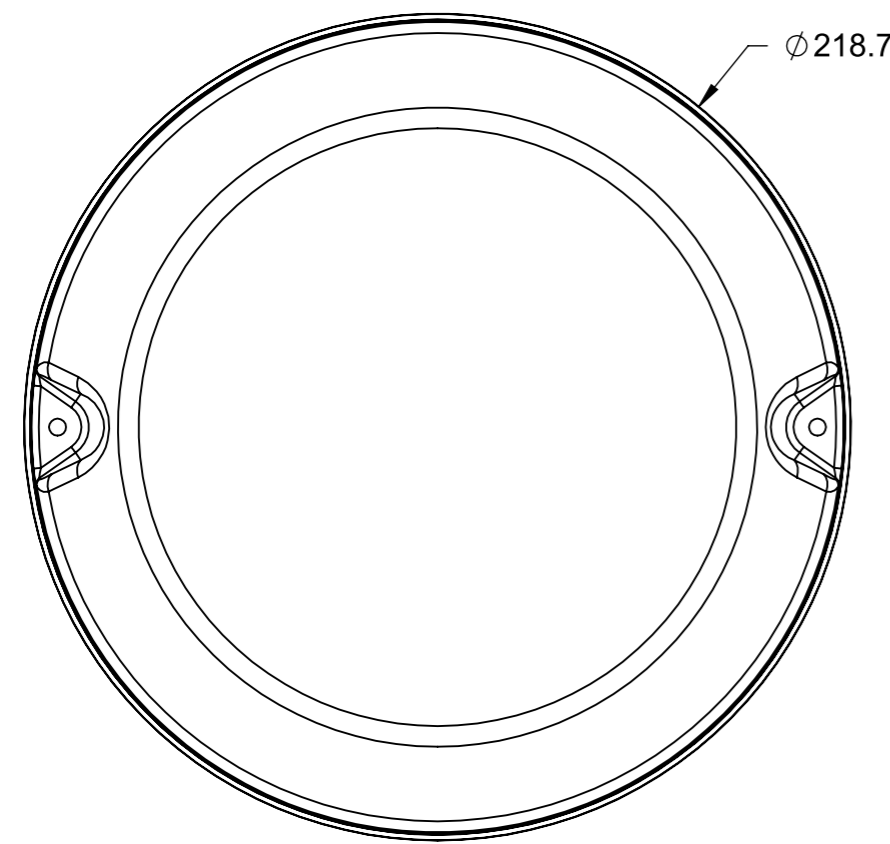
C

B

B

A

A



Parameter	Performance
Model Number	S2451DBT33RSM
Frequency	2.4-2.5GHz 5.15-5.85GHz
Gain (@45° from Horizon)	2dBi Typical
Omnidirectionality	5dB Nominal
Polarization	Linear
VSWR	2.0:1 Max.
Power	5W
Port-to-Port Isolation (Band-to-Band)	28dB
Pigtail Length	3X 838.2mm +/-13mm (33" +/-1/2")
RF Connector	6X Rev SMA (m)
Cable Type	Plenum Rated
5GHz Ports	Blue Heat Shrink
2.5GHz Ports	Black Heat Shrink
Radome Color	White
Weight	0.7kg (1.5 lbs)

MATERIAL:	N/A	
FINISH:	N/A	
APPROVALS		DATE
DRAWN BY	S. JOHNSON	07/23/10
PROJ. ENG.	T. PETROPOULOS	7/27/10
APPL. MECH.	K. SEARL	7/26/10
MFG.	I. CHICKLIS	7/26/10

THIRD ANGLE PROJECTION

DO NOT SCALE DRAWING

INTERPRET DIMENSIONING AND TOLERANCING IN ACCORDANCE WITH ASME Y14.5M-2009

TOLERANCES UNLESS OTHERWISE SPECIFIED

DIMENSIONS ARE IN MILLIMETERS

ANGLE: ±30'
0 PLACE DECIMAL: ±0.5
1 PLACE DECIMAL: ±0.25
2 PLACE DECIMAL: ±0.13

SURFACE ROUGHNESS 1.6/

S2451DBT33RSM

SIZE **A3** DWG. NO. **S2451DBT33RSM MO** REV **AA**

SCALE: 1:2 PREVIOUS# SHEET 1 OF 1

THIS DRAWING IS UNPUBLISHED. RELEASED FOR PUBLICATION -- .

© Copyright 2022 TE Connectivity Ltd. ALL RIGHTS RESERVED.

6

5

4

3

2

1