

6

5

4

3

2

1

D

C

B

A

D

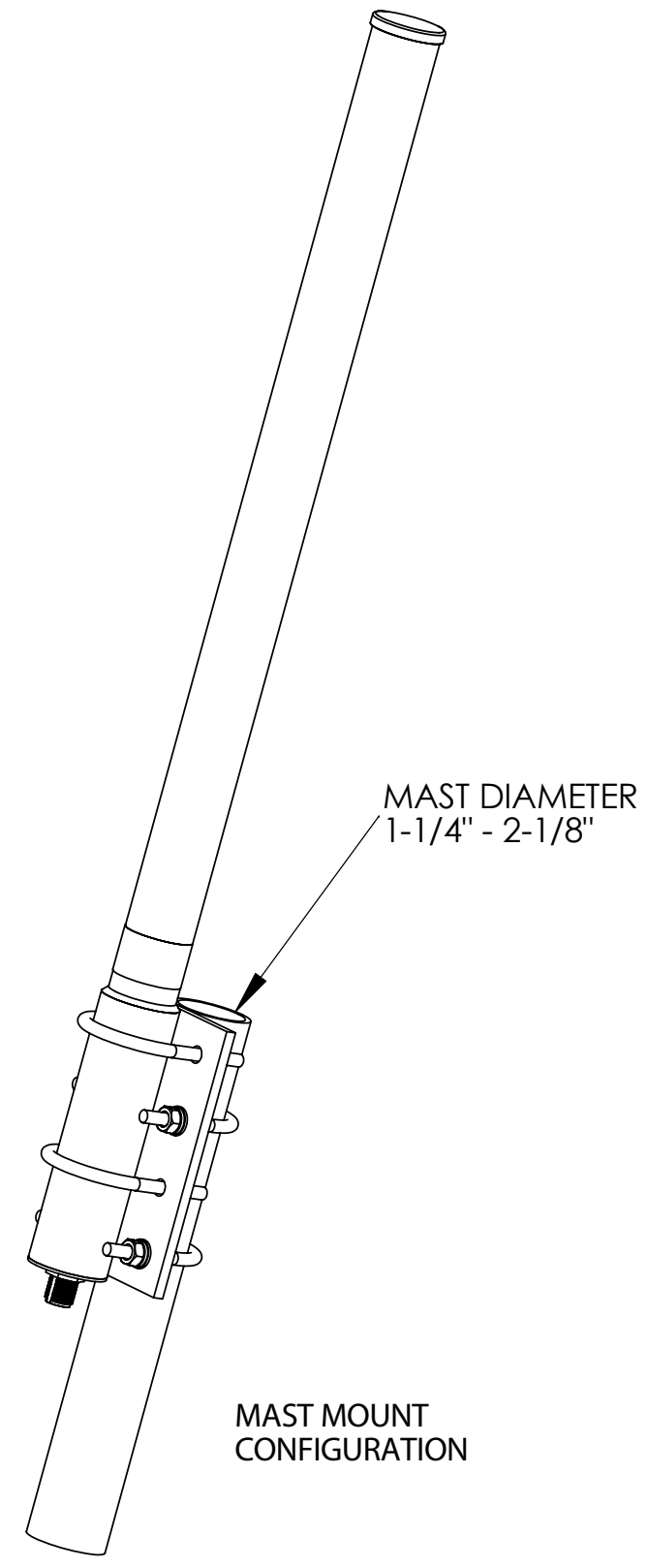
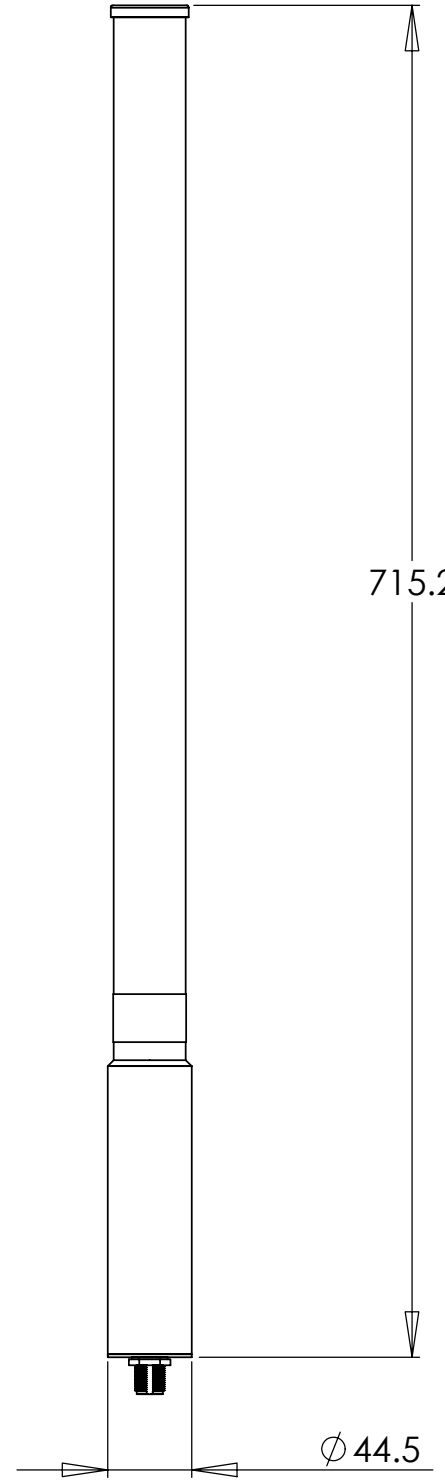
C

B


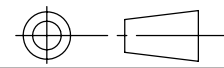
A

CHANGE ORDER HISTORY

ECR#	ZONE	REV.	DESCRIPTION	CHANGED BY	APPROVED BY
		1	PRELIMINARY RELEASE	MJT 4/8/05	TP 4/8/05
		AA	FORMAL RELEASE	MJT 5/18/05	TP 5/18/05
2046		AB	VSWR CHG	MJT 6/13/05	TP 6/13/05
MAN-4199		AC	CHGD DWG TO LAIRD FORMAT. REMOVED H.W BOM for MAST MOUNT CONFIGURATION.	MCL 11/10/10	S.J. 11/10/10



Parameter	Performance
Model Number	S3307BPNF
Frequency	3.3 - 3.8 GHz.
Gain	9 dBi
Polarization	Linear Vertical
VSWR	2.0:1
Elevation Plane 3 dB Beamwidth	8 degrees
Azimuth Plane 3 dB Beamwidth	omni
RF Connector	N Female
Power	10 Watts
Weight (Antenna)	1.15 lb.

MATERIAL:		THIRD ANGLE PROJECTION					
FINISH:		 DO NOT SCALE DRAWING					
APPROVALS		DATE		INTERPRET DIMENSIONING AND TOLERANCING IN ACCORDANCE WITH ASME Y14.5M-2009 TOLERANCES UNLESS OTHERWISE SPECIFIED DIMENSIONS ARE IN MILLIMETERS			
DRAWN BY	MJT	4/7/05					
PROJ. ENG.	T.PETROPOULOS	05/18/05					
APPL. MECH.	S.JOHNSON	11/10/10					
MFG.	I.CHICKLIS	5/18/05		ANGLE: ±30' 0 PLACE DECIMAL: ±0.5 1 PLACE DECIMAL: ±0.25 2 PLACE DECIMAL: ±0.13 SURFACE ROUGHNESS 1.6/√	SIZE A3	DWG. NO. S3307BPNF	REV AC
THIS DRAWING IS UNPUBLISHED.				RELEASED FOR PUBLICATION			
© Copyright 2022 TE Connectivity Ltd.				ALL RIGHTS RESERVED.			
SCALE: 1:4		PREVIOUS#		SHEET 1 OF 1			

6

5

4

3

2

1