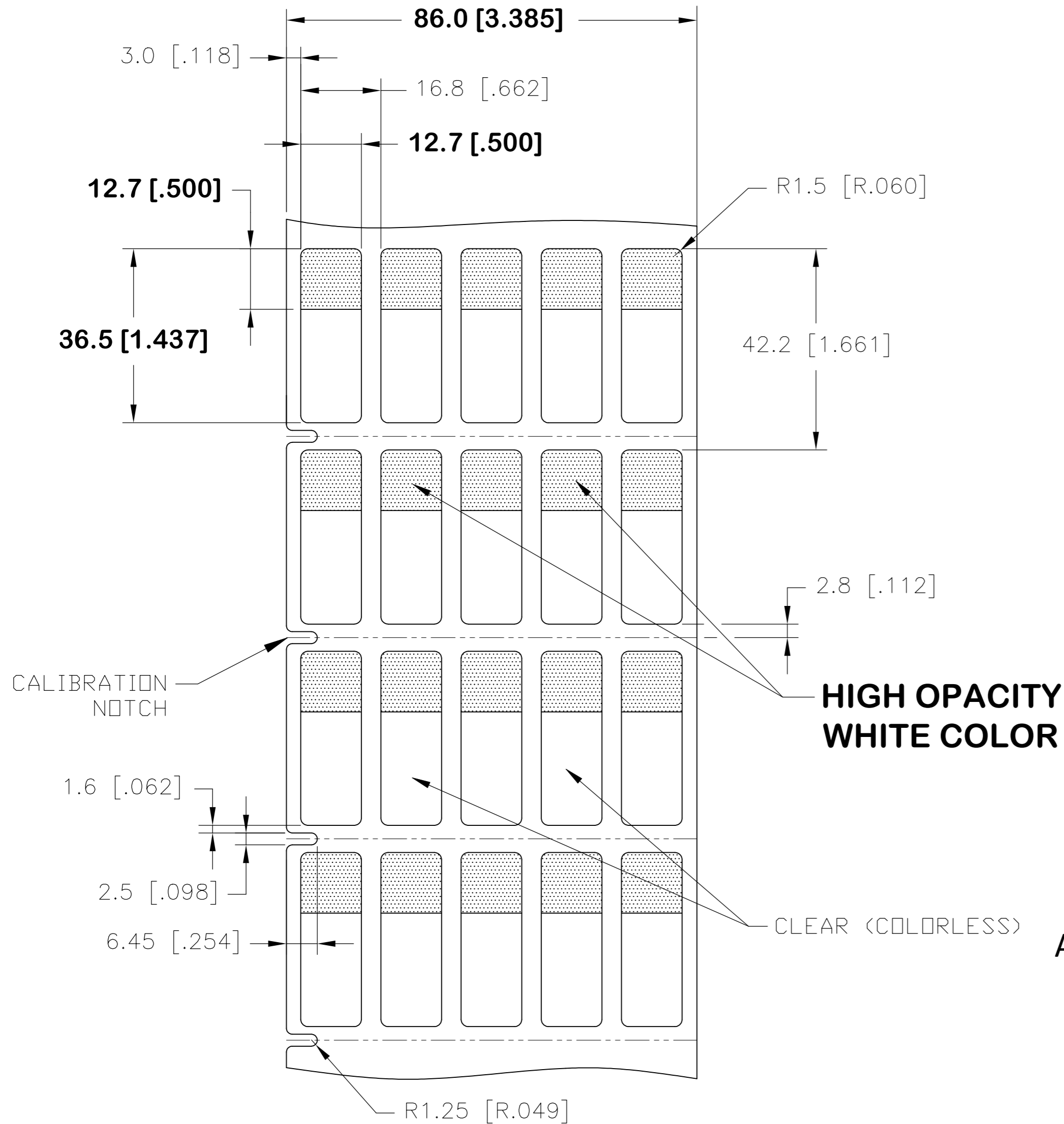
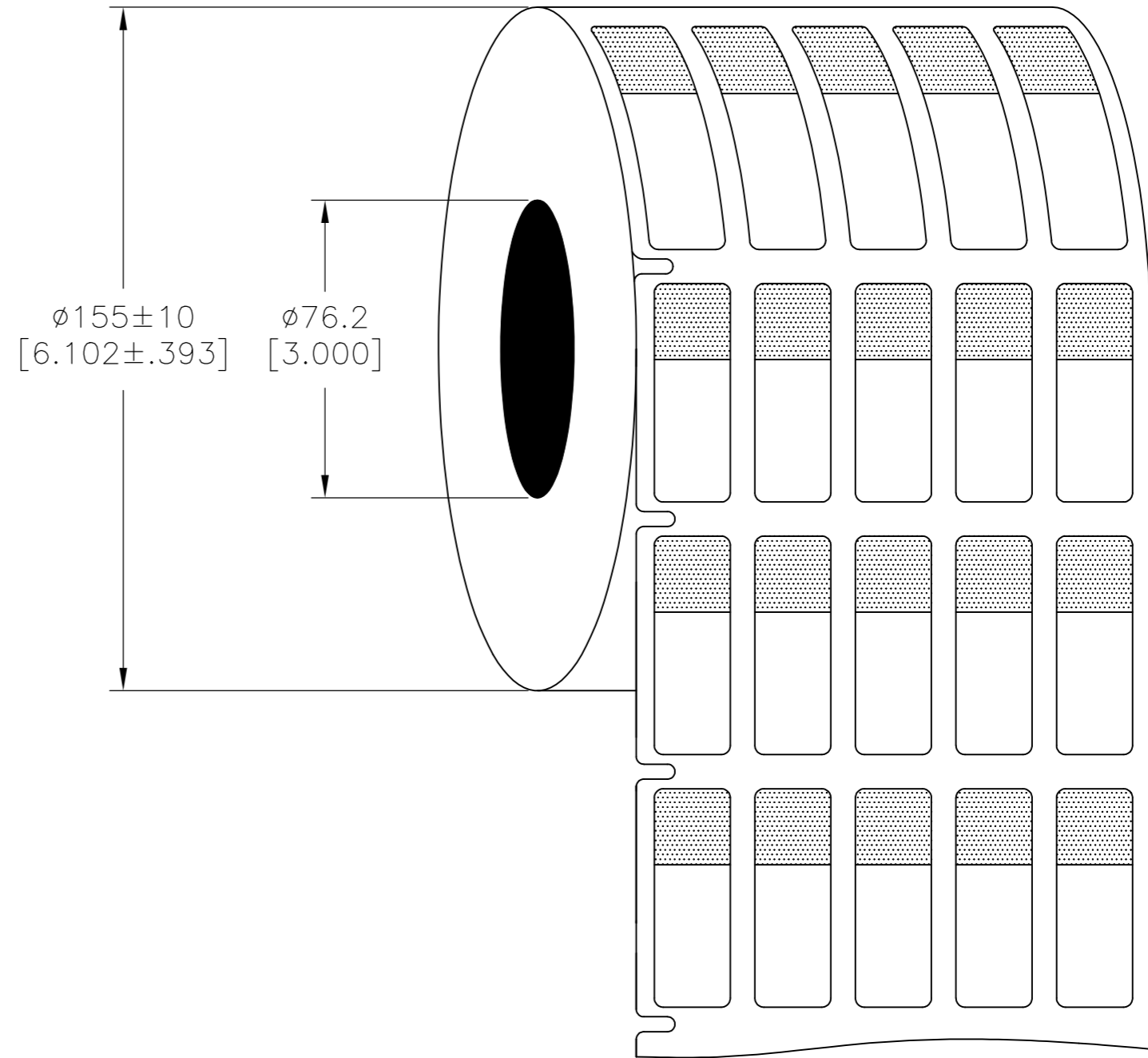


REVISIONS					
P	LTR	DESCRIPTION	DATE	DWN	APVD
	B	NEW DRAWING FORMAT	18MAR2017	GK	DB
	F	LINER CHANGE	10SEP2018	GK	DB

### LABEL AND LINER DESIGN



### PRESENTATION



**OUTSIDE WOUND  
 LABEL ACROSS: 5  
 PER ROLL QTY: 10000**

All dimensions in mm [Inch]

**TE PN: CN2893-000**

<b>UL-MARKING AND LABELLING SYSTEMS</b>		
PGIS2 - Marking and Labeling Systems, Limited Use - Component (UL 969)		
File: MH61871	Product design: <b>SBP</b>	Ribbon: TMS-XXX-RIBBON-4RPSCE

TOLERANCES mm [INCH]	
LABEL HEIGHT:	±0.3 [.012]
LABEL WIDTH:	±0.3 [.012]
WEB WIDTH:	±0.8 [.031]
VERTICAL REPEAT:	±0.8 [.031]*
HORIZONTAL REPEAT:	±0.8 [.031]*
PRINT POSITIONING:	±0.8 [.031]*
LEFT MARGIN:	±0.4 [.016]
QUANTITY:	-0 % +2 %
*NON ACCUMULATING	

THIS DRAWING IS A CONTROLLED DOCUMENT.	
DIMENSIONS:	TOLERANCES UNLESS OTHERWISE SPECIFIED:
mm [INCHES]	
	0 PLC ±
	1 PLC ±
	2 PLC ±
	3 PLC ±
	4 PLC ±
	ANGLES ±
MATERIAL	FINISH
SEE TABLE	GLOSSY

MATERIAL	CLEAR VINYL
ADHESIVE TYPE	ACRYLIC PERMANENT
LINEAR	WHITE KRAFT
DWN	18MAR2017
CHK	GOPALAKRISHNA HV
APVD	18MAR2017
D.BURGAT	
D.BURGAT	
PRODUCT SPEC	
TTDS-211	
APPLICATION SPEC	
-	
SIZE	CAGE CODE
A2	00779
DRAWING NO	RESTRICTED TO
C=SBP050143WE10	-
WEIGHT	0.064g
CUSTOMER DRAWING	SCALE NTS
SHEET 1 of 1	REV F