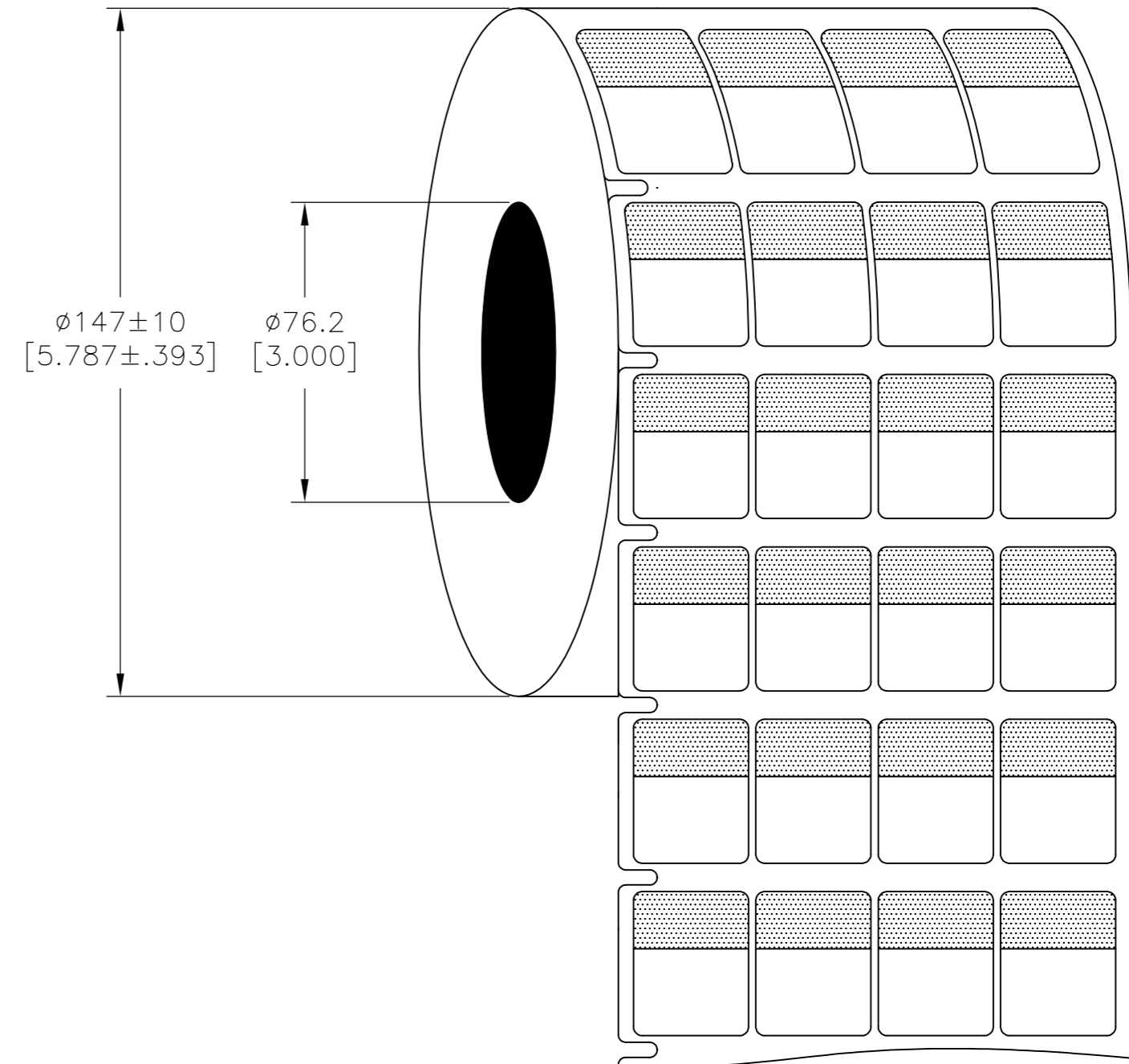
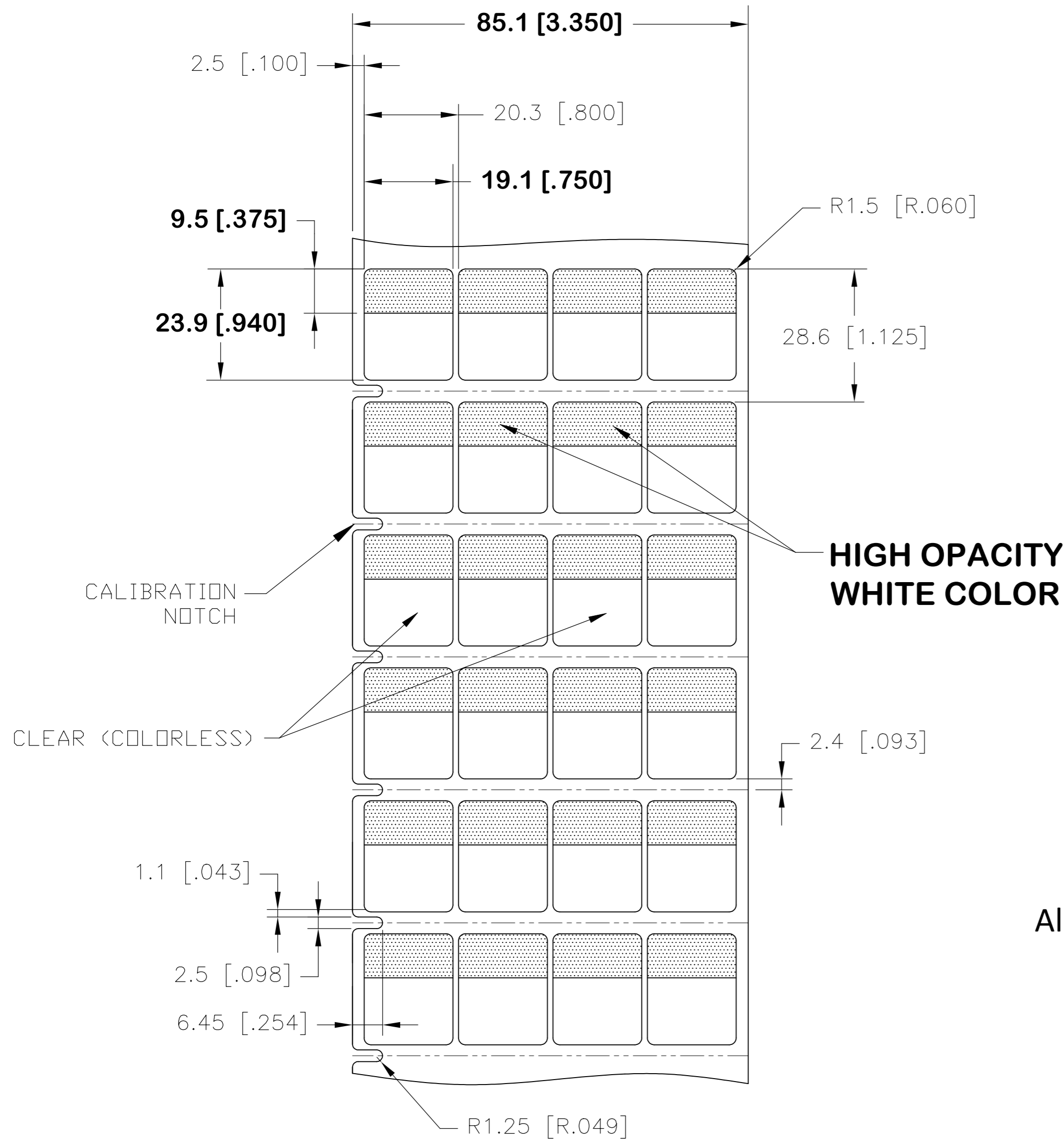


REVISIONS					
P	LTR	DESCRIPTION	DATE	DWN	APVD
	A	NEW DRAWING	18MAR2017	GK	DB
	F	LINER CHANGE	10SEP2018	GK	DB

LABEL AND LINER DESIGN

PRESENTATION



**OUTSIDE WOUND
 LABEL ACROSS: 4
 PER ROLL QTY: 10000**

All dimensions in mm [Inch]

TE PN: CN2895-000

MATERIAL	CLEAR VINYL
ADHESIVE TYPE	ACRYLIC PERMANENT
LINEAR	WHITE KRAFT

TOLERANCES mm [INCH] LABEL HEIGHT: ±0.3 [.012] LABEL WIDTH: ±0.3 [.012] WEB WIDTH: ±0.8 [.031] VERTICAL REPEAT: ±0.8 [.031]* HORIZONTAL REPEAT: ±0.8 [.031]* PRINT POSITIONING: ±0.8 [.031]* LEFT MARGIN: ±0.4 [.016] QUANTITY: -0 % +2 % *NON ACCUMULATING		THIS DRAWING IS A CONTROLLED DOCUMENT. DIMENSIONS: mm [INCHES] TOLERANCES UNLESS OTHERWISE SPECIFIED: 0 PLC ± 1 PLC ± 2 PLC ± 3 PLC ± 4 PLC ± ANGLES ± FINISH GLOSSY		DWN 18MAR2017 GOPALAKRISHNA HV CHK 18MAR2017 D.BURGAT APVD 18MAR2017 D.BURGAT PRODUCT SPEC TTDS-211 APPLICATION SPEC WEIGHT 0.063g CUSTOMER DRAWING		NAME SBP LABEL - WHITE 19.1 x 23.9mm [0.75 x 0.94inch] SIZE A2 CAGE CODE 00779 DRAWING NO. SBP075094WE10 RESTRICTED TO SCALE NTS SHEET 1 of 1 REV F	
--	--	---	--	--	--	--	--

UL-MARKING AND LABELLING SYSTEMS		
PGIS2 - Marking and Labeling Systems, Limited Use - Component (UL 969)		
File: MH61871	Product design: SBP	Ribbon: TMS-XXX-RIBBON-4RPSCE