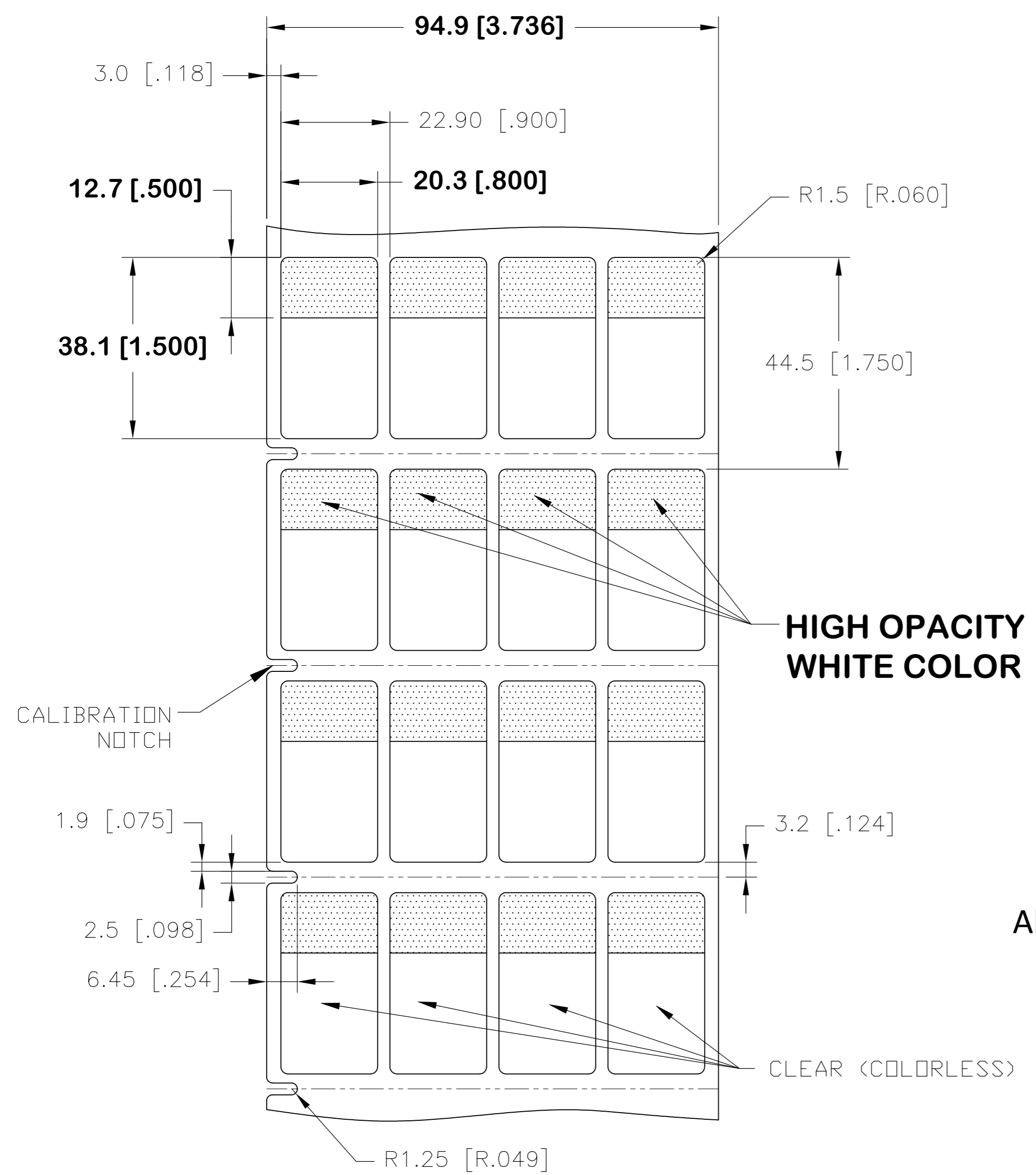


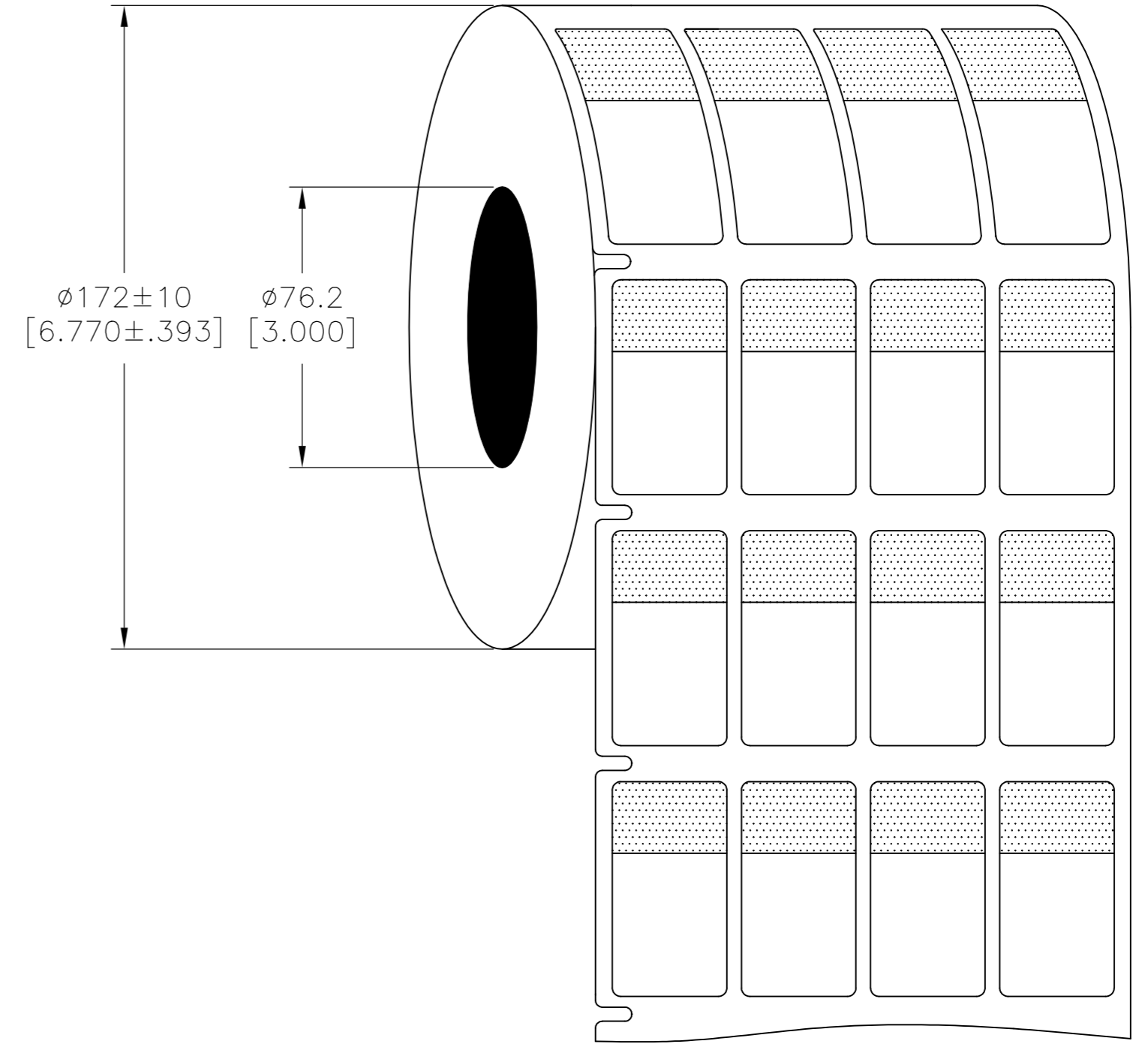
THIS DRAWING IS UNPUBLISHED. RELEASED FOR PUBLICATION MAR , 2017.
 © COPYRIGHT 2017 By TE Connectivity ALL RIGHTS RESERVED.

REVISIONS					
P	LTR	DESCRIPTION	DATE	DWN	APVD
	A	NEW DRAWING	21MAR2017	GK	DB
	F	LINER CHANGE	10SEP2018	GK	DB

LABEL AND LINER DESIGN



PRESENTATION



OUTSIDE WOUND LABEL ACROSS: 4 PER ROLL QTY: 10000

All dimensions in mm [Inch]

TE PN: CN2896-000

UL-MARKING AND LABELLING SYSTEMS		
PGIS2 - Marking and Labeling Systems, Limited Use - Component (UL 969)		
File: MH61871	Product design: SBP	Ribbon: TMS-XXX-RIBBON-4RPSCE

TOLERANCES mm [INCH]	
LABEL HEIGHT:	±0.3 [.012]
LABEL WIDTH:	±0.3 [.012]
WEB WIDTH:	±0.8 [.031]
VERTICAL REPEAT:	±0.8 [.031]*
HORIZONTAL REPEAT:	±0.8 [.031]*
PRINT POSITIONING:	±0.8 [.031]*
LEFT MARGIN:	±0.4 [.016]
QUANTITY:	-0 % +2 %
*NON ACCUMULATING	

MATERIAL		CLEAR VINYL	
ADHESIVE TYPE		ACRYLIC PERMANENT	
LINEAR		WHITE KRAFT	
DWN	GOPALAKRISHNA HV		
CHK	D.BURGAT		
APVD	D.BURGAT		
PRODUCT SPEC		SBP LABEL - WHITE	
APPLICATION SPEC		20.3 x 38.1mm [0.8 x 1.5inch]	
WEIGHT	0.108g	SIZE	A2
CUSTOMER DRAWING		CAGE CODE	00779
		DRAWING NO	SBP080150WE10
		RESTRICTED TO	
		SCALE	NTS
		SHEET	1 of 1
		REV	F