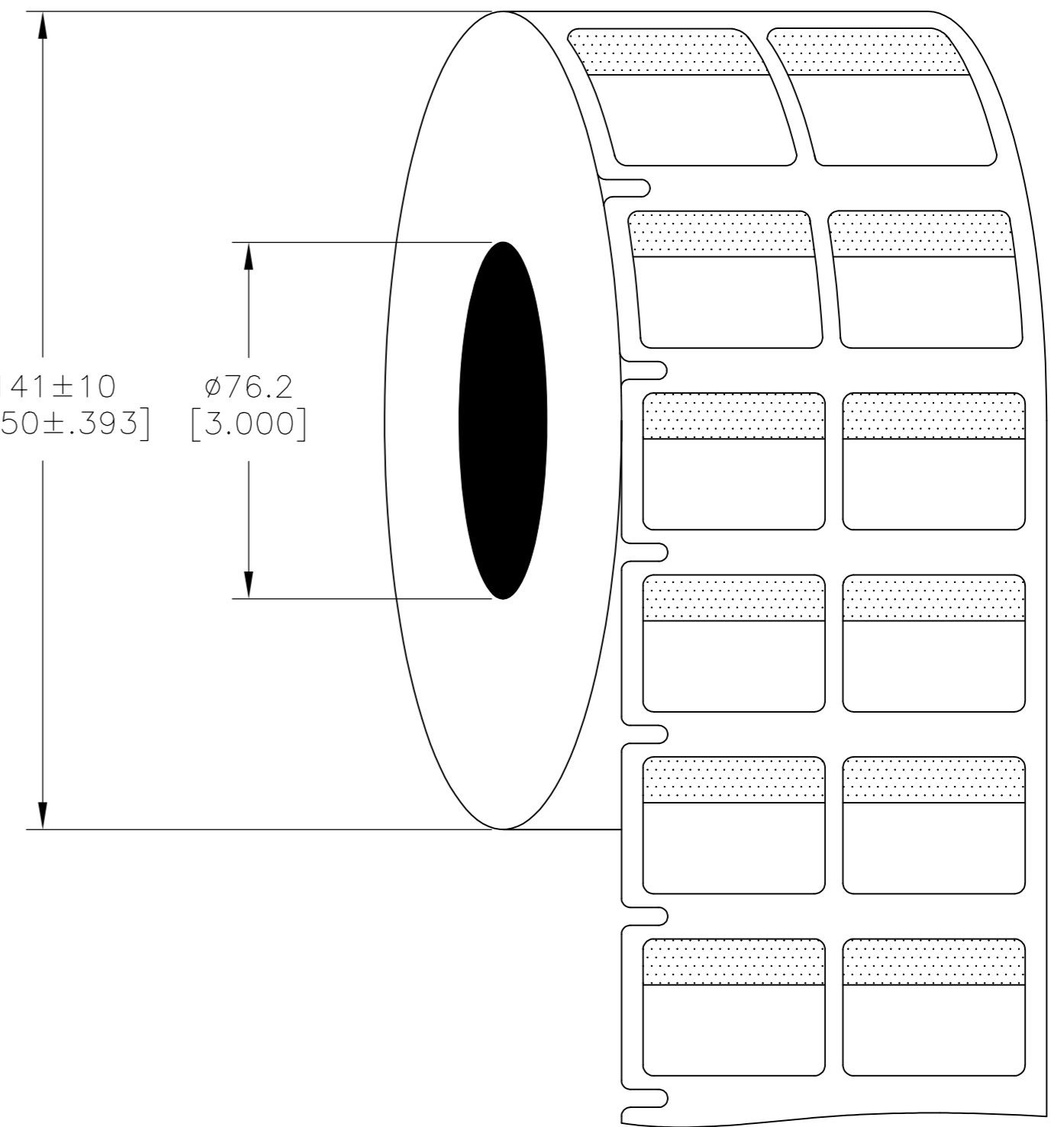
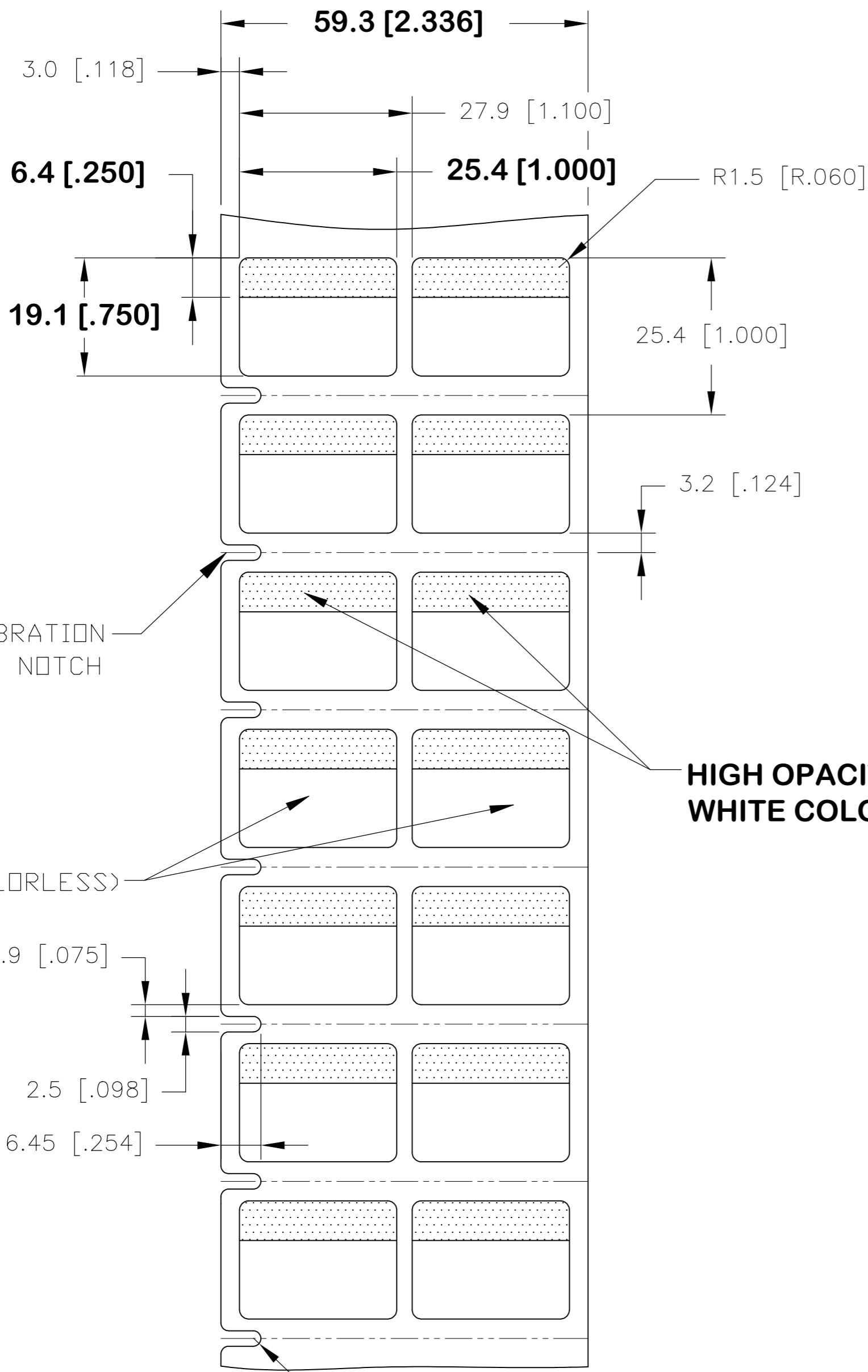


REVISIONS				
P	LTR	DESCRIPTION	DATE	APVD
	A	NEW DRAWING	21MAR2017	GK DB
	F	LINER CHANGE	11SEP2018	GK DB

**LABEL AND LINER DESIGN**

**PRESENTATION**



CALIBRATION NOTCH

HIGH OPACITY WHITE COLOR

CLEAR (COLORLESS)

**OUTSIDE WOUND LABEL ACROSS: 2 PER ROLL QTY: 5000**

All dimensions in mm [Inch]

**TE PN: CN9919-000**

MATERIAL	CLEAR VINYL
ADHESIVE TYPE	ACRYLIC PERMANENT
LINEAR	WHITE KRAFT

<table border="1"> <tr> <th colspan="2">TOLERANCES mm [INCH]</th> </tr> <tr> <td>LABEL HEIGHT:</td> <td>±0.3 [.012]</td> </tr> <tr> <td>LABEL WIDTH:</td> <td>±0.3 [.012]</td> </tr> <tr> <td>WEB WIDTH:</td> <td>±0.8 [.031]</td> </tr> <tr> <td>VERTICAL REPEAT:</td> <td>±0.8 [.031]*</td> </tr> <tr> <td>HORIZONTAL REPEAT:</td> <td>±0.8 [.031]*</td> </tr> <tr> <td>PRINT POSITIONING:</td> <td>±0.8 [.031]*</td> </tr> <tr> <td>LEFT MARGIN:</td> <td>±0.4 [.016]</td> </tr> <tr> <td>QUANTITY:</td> <td>-0 % +2 %</td> </tr> <tr> <td></td> <td>*NON ACCUMULATING</td> </tr> </table>	TOLERANCES mm [INCH]		LABEL HEIGHT:	±0.3 [.012]	LABEL WIDTH:	±0.3 [.012]	WEB WIDTH:	±0.8 [.031]	VERTICAL REPEAT:	±0.8 [.031]*	HORIZONTAL REPEAT:	±0.8 [.031]*	PRINT POSITIONING:	±0.8 [.031]*	LEFT MARGIN:	±0.4 [.016]	QUANTITY:	-0 % +2 %		*NON ACCUMULATING	<p>THIS DRAWING IS A CONTROLLED DOCUMENT.</p> <table border="1"> <tr> <td>DIMENSIONS: mm [INCHES]</td> <td>TOLERANCES UNLESS OTHERWISE SPECIFIED:</td> </tr> <tr> <td rowspan="4"></td> <td>0 PLC ±</td> </tr> <tr> <td>1 PLC ±</td> </tr> <tr> <td>2 PLC ±</td> </tr> <tr> <td>3 PLC ±</td> </tr> <tr> <td></td> <td>4 PLC ±</td> </tr> <tr> <td></td> <td>ANGLES ±</td> </tr> <tr> <td></td> <td>FINISH ±</td> </tr> </table>	DIMENSIONS: mm [INCHES]	TOLERANCES UNLESS OTHERWISE SPECIFIED:		0 PLC ±	1 PLC ±	2 PLC ±	3 PLC ±		4 PLC ±		ANGLES ±		FINISH ±	<table border="1"> <tr> <td>DWN</td> <td>21MAR2017</td> <td>GOPALAKRISHNA HV</td> </tr> <tr> <td>CHK</td> <td>21MAR2017</td> <td>D.BURGAT</td> </tr> <tr> <td>APVD</td> <td>21MAR2017</td> <td>D.BURGAT</td> </tr> <tr> <td>PRODUCT SPEC</td> <td>TIDS-211</td> <td></td> </tr> <tr> <td>APPLICATION SPEC</td> <td></td> <td></td> </tr> <tr> <td>WEIGHT</td> <td>0.067g</td> <td></td> </tr> </table>	DWN	21MAR2017	GOPALAKRISHNA HV	CHK	21MAR2017	D.BURGAT	APVD	21MAR2017	D.BURGAT	PRODUCT SPEC	TIDS-211		APPLICATION SPEC			WEIGHT	0.067g		<p><b>TE</b> TE Connectivity</p> <p>SBP LABEL - WHITE 25.4 x 19.1mm [1.00 x 0.75inch]</p> <table border="1"> <tr> <td>SIZE</td> <td>CAGE CODE</td> <td>DRAWING NO</td> <td>RESTRICTED TO</td> </tr> <tr> <td>A2</td> <td>00779</td> <td>SBP100075WE5</td> <td></td> </tr> </table>	SIZE	CAGE CODE	DRAWING NO	RESTRICTED TO	A2	00779	SBP100075WE5	
TOLERANCES mm [INCH]																																																														
LABEL HEIGHT:	±0.3 [.012]																																																													
LABEL WIDTH:	±0.3 [.012]																																																													
WEB WIDTH:	±0.8 [.031]																																																													
VERTICAL REPEAT:	±0.8 [.031]*																																																													
HORIZONTAL REPEAT:	±0.8 [.031]*																																																													
PRINT POSITIONING:	±0.8 [.031]*																																																													
LEFT MARGIN:	±0.4 [.016]																																																													
QUANTITY:	-0 % +2 %																																																													
	*NON ACCUMULATING																																																													
DIMENSIONS: mm [INCHES]	TOLERANCES UNLESS OTHERWISE SPECIFIED:																																																													
	0 PLC ±																																																													
	1 PLC ±																																																													
	2 PLC ±																																																													
	3 PLC ±																																																													
	4 PLC ±																																																													
	ANGLES ±																																																													
	FINISH ±																																																													
DWN	21MAR2017	GOPALAKRISHNA HV																																																												
CHK	21MAR2017	D.BURGAT																																																												
APVD	21MAR2017	D.BURGAT																																																												
PRODUCT SPEC	TIDS-211																																																													
APPLICATION SPEC																																																														
WEIGHT	0.067g																																																													
SIZE	CAGE CODE	DRAWING NO	RESTRICTED TO																																																											
A2	00779	SBP100075WE5																																																												

<b>UL-MARKING AND LABELLING SYSTEMS</b>		
PGIS2 - Marking and Labeling Systems, Limited Use - Component (UL 969)		
File: MH61871	Product design: <b>SBP</b>	Ribbon: TMS-XXX-RIBBON-4RPSCE

CN9919-000