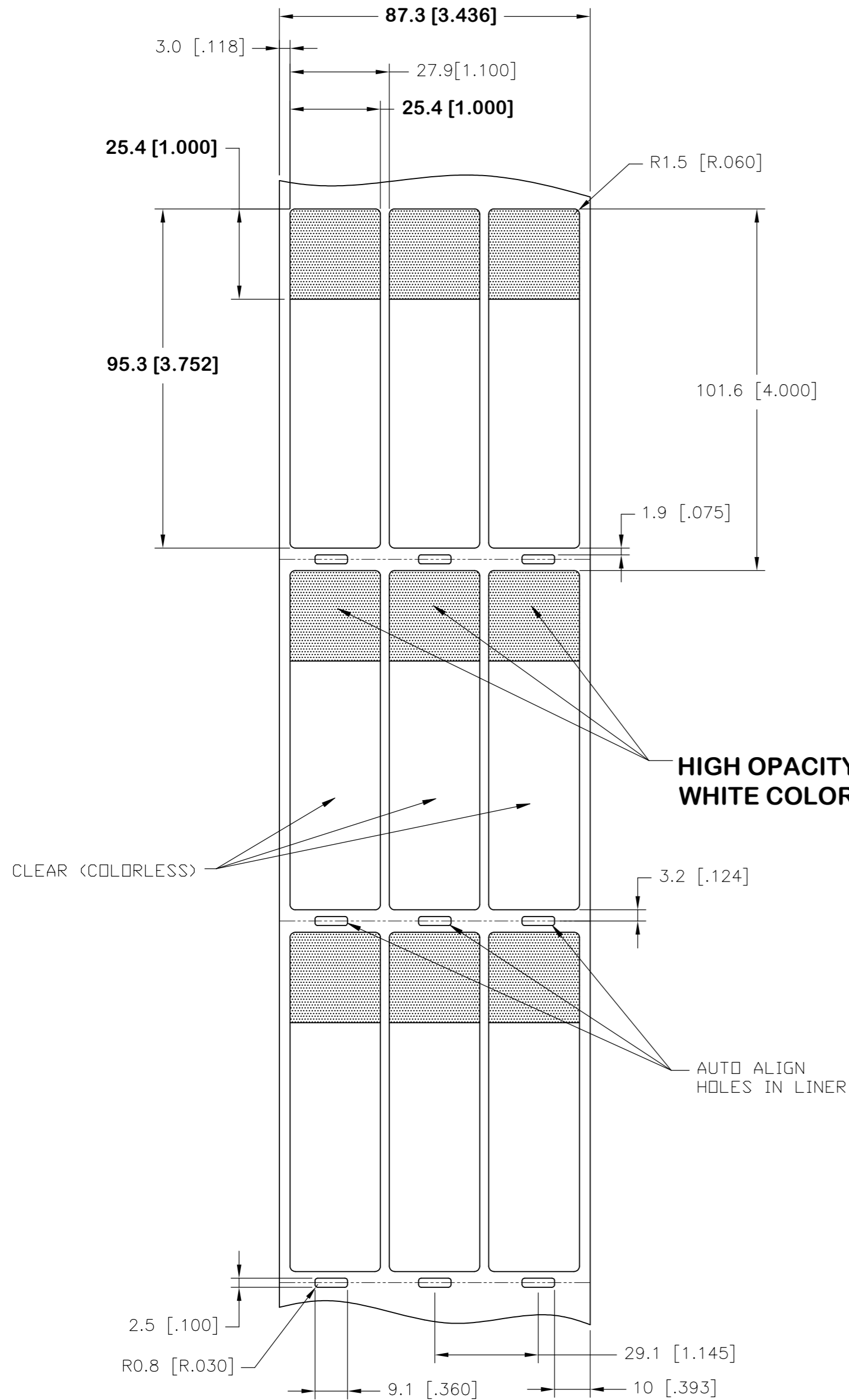


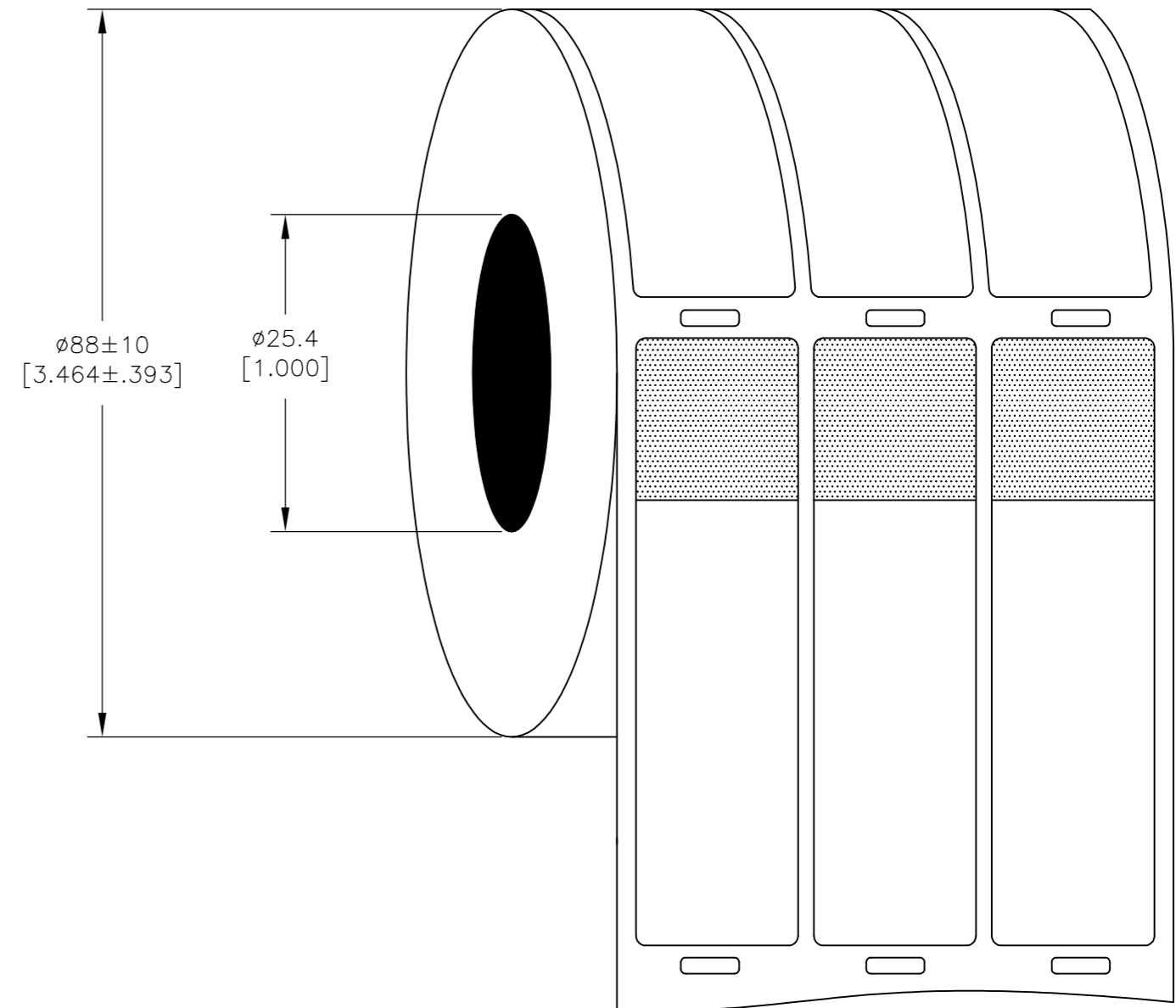
THIS DRAWING IS UNPUBLISHED. RELEASED FOR PUBLICATION FEB , 2017.  
 © COPYRIGHT 2017 By TE Connectivity ALL RIGHTS RESERVED.

REVISIONS					
P	LTR	DESCRIPTION	DATE	DWN	APVD
	A	NEW DRAWING	23FEB2016	GK	DB
	F	LINER CHANGE	12SEP2018	GK	DB

**LABEL AND LINER DESIGN**



**PRESENTATION**



**OUTSIDE WOUND LABEL ACROSS: 3 PER ROLL QTY: 1000**

All dimensions in mm [Inch]

**TE PN: CN9925-000**

MATERIAL	CLEAR VINYL
ADHESIVE TYPE	ACRYLIC PERMANENT
LINEAR	WHITE KRAFT

TOLERANCES mm [INCH] LABEL HEIGHT: $\pm 0.3$ [.012] LABEL WIDTH: $\pm 0.3$ [.012] WEB WIDTH: $\pm 0.8$ [.031] VERTICAL REPEAT: $\pm 0.8$ [.031]* HORIZONTAL REPEAT: $\pm 0.8$ [.031]* PRINT POSITIONING: $\pm 0.8$ [.031]* LEFT MARGIN: $\pm 0.4$ [.016] QUANTITY: -0 % +2 % *NON ACCUMULATING		THIS DRAWING IS A CONTROLLED DOCUMENT. DIMENSIONS: mm [INCHES] TOLERANCES UNLESS OTHERWISE SPECIFIED: 0 PLC $\pm$ 1 PLC $\pm$ 2 PLC $\pm$ 3 PLC $\pm$ 4 PLC $\pm$ ANGLES $\pm$ FINISH GLOSSY		DWN: 23FEB2017 CHK: D.BURGAT APVD: D.BURGAT PRODUCT SPEC: TDS-211 APPLICATION SPEC: - WEIGHT: 0.336g CUSTOMER DRAWING		NAME: SBP LABEL-WHITE-T200 PRINTER 25.4 x 95.3mm [1.00 x 3.75inch] SIZE: A2 CAGE CODE: 00779 DRAWING NO: SBP100375WE1-T200 RESTRICTED TO: - SCALE: NTS SHEET: 1 of 1 REV: F	
---	--	---	--	---	--	---	--

<b>UL-MARKING AND LABELLING SYSTEMS</b>		
PGIS2 - Marking and Labeling Systems, Limited Use - Component (UL 969)		
File: MH61871	Product design: <b>SBP</b>	Ribbon: TMS-XXX-RIBBON-4RPSCE