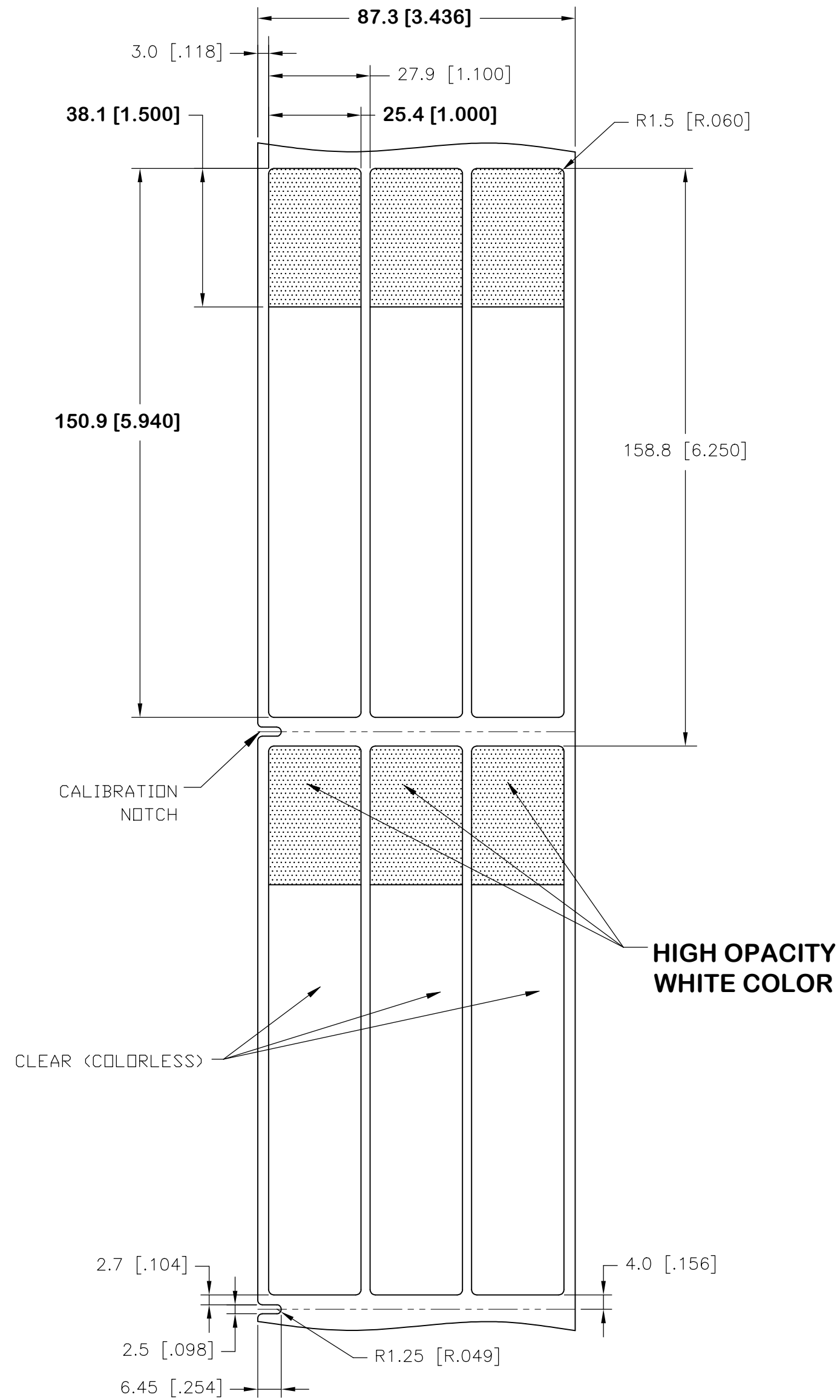


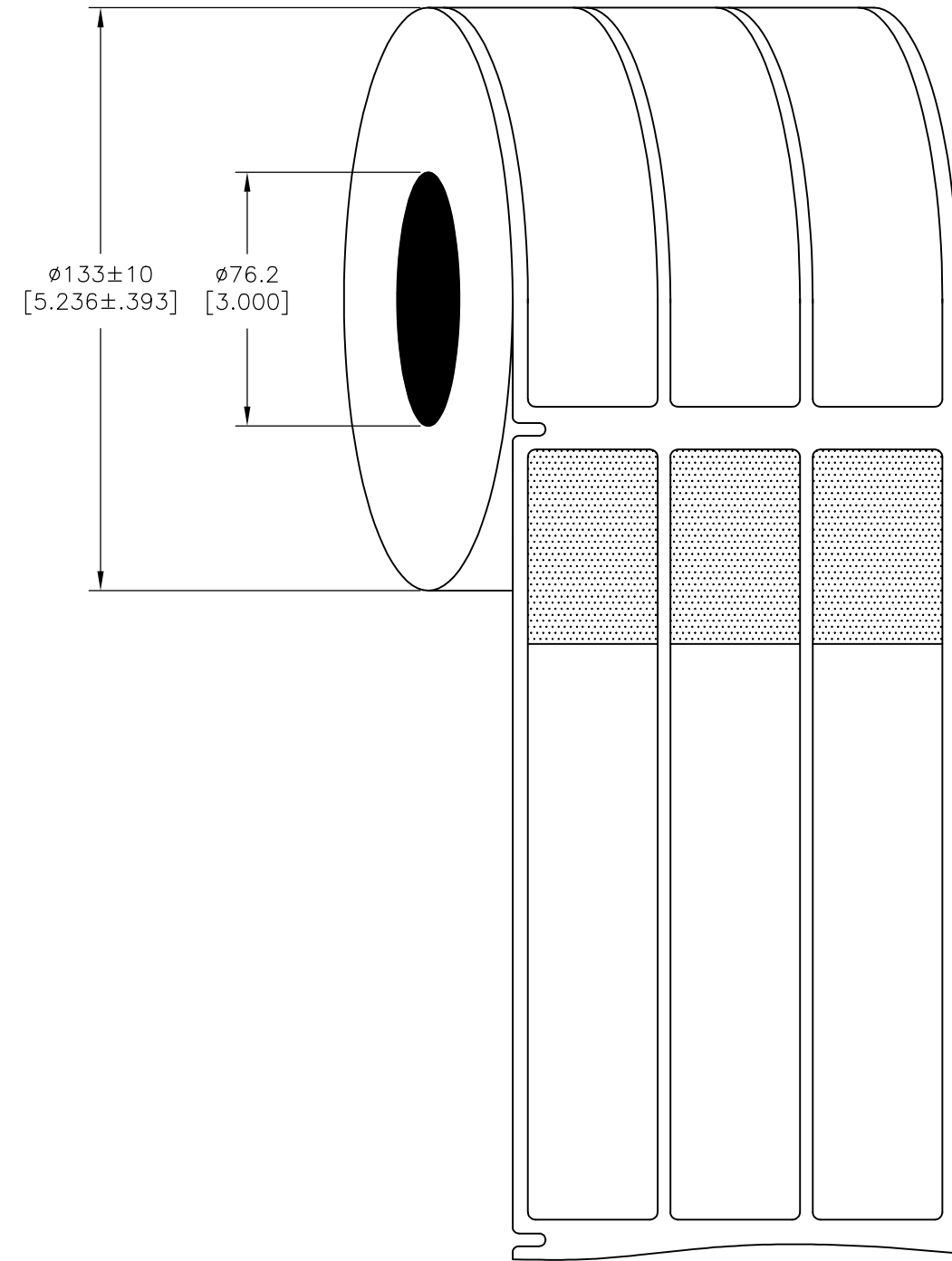
THIS DRAWING IS UNPUBLISHED. RELEASED FOR PUBLICATION MAR , 2017.
 © COPYRIGHT 2017 By TE Connectivity ALL RIGHTS RESERVED.

REVISIONS					
P	LTR	DESCRIPTION	DATE	DWN	APVD
	A	NEW DRAWING	20MAR2017	GK	DB
	F	LINER CHANGE	12SEP2018	GK	DB

LABEL AND LINER DESIGN



PRESENTATION



OUTSIDE WOUND LABEL ACROSS: 3 PER ROLL QTY: 1000

All dimensions in mm [Inch]

TE PN: CN9928-000

MATERIAL	CLEAR VINYL
ADHESIVE TYPE	ACRYLIC PERMANENT
LINER	WHITE KRAFT

TOLERANCES mm [INCH]	
LABEL HEIGHT:	±0.3 [.012]
LABEL WIDTH:	±0.3 [.012]
WEB WIDTH:	±0.8 [.031]
VERTICAL REPEAT:	±0.8 [.031]*
HORIZONTAL REPEAT:	±0.8 [.031]*
PRINT POSITIONING:	±0.8 [.031]*
LEFT MARGIN:	±0.4 [.016]
QUANTITY:	-0 % +2 %
*NON ACCUMULATING	

THIS DRAWING IS A CONTROLLED DOCUMENT.		DWN	20MAR2017	GOPALAKRISHNA HV	
DIMENSIONS: mm [INCHES]		CHK	20MAR2017	D.BURGAT	
TOLERANCES UNLESS OTHERWISE SPECIFIED:		APVD	20MAR2017	D.BURGAT	
0 PLC ±		NAME			
1 PLC ±		SBP LABEL - WHITE			
2 PLC ±		25.4 x 150.9mm [1.00 x 5.94inch]			
3 PLC ±		TTDS-211			
4 PLC ±		APPLICATION SPEC			
ANGLES ±		SIZE	CAGE CODE	DRAWING NO	RESTRICTED TO
FINISH		A2	00779	C=SBP100594WE1	-
MATERIAL SEE TABLE		WEIGHT	0.533g		
GLOSSY		CUSTOMER DRAWING			
		SCALE	NTS	SHEET	1 of 1
				REV	F

UL-MARKING AND LABELLING SYSTEMS		
PGIS2 - Marking and Labeling Systems, Limited Use - Component (UL 969)		
File: MH61871	Product design: SBP	Ribbon: TMS-XXX-RIBBON-4RPSCE