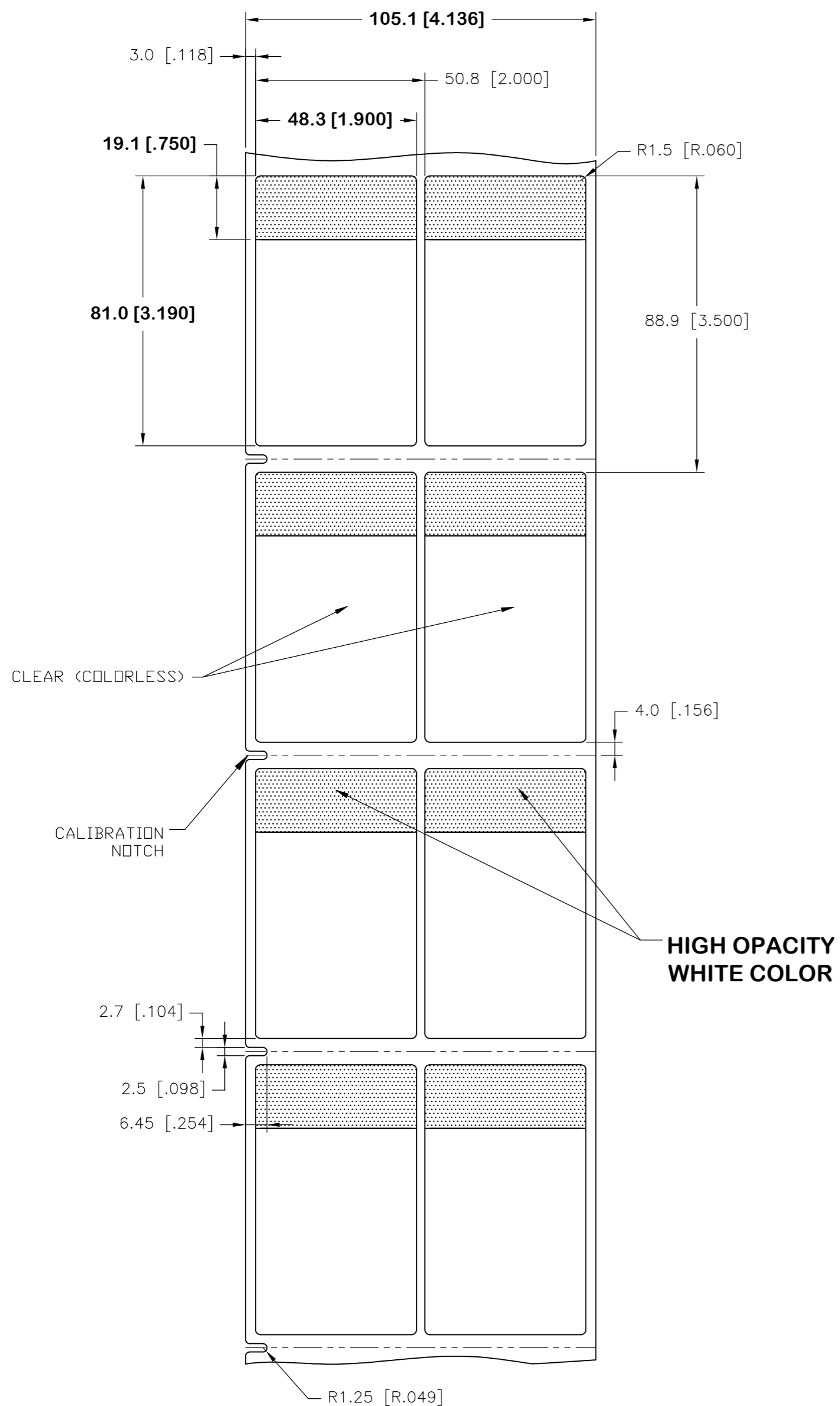
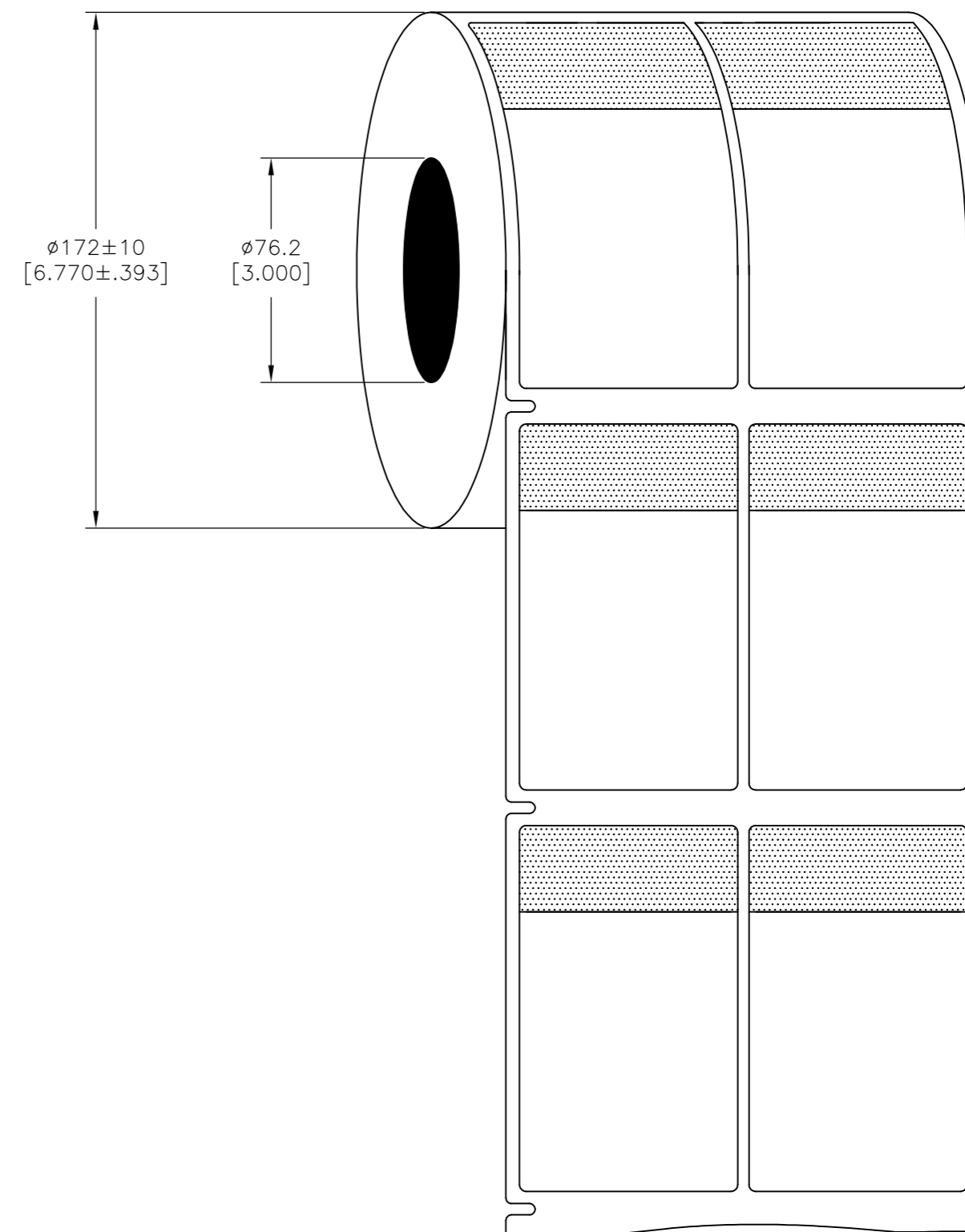


REVISIONS					
P	LTR	DESCRIPTION	DATE	DWN	APVD
	A	NEW DRAWING	20MAR2017	GK	DB
	F	LINER CHANGE	12SEP2018	GK	DB

### LABEL AND LINER DESIGN



### PRESENTATION



All dimensions in mm [Inch]

OUTSIDE WOUND  
LABEL ACROSS: 2  
PER ROLL QTY: 2500

TE PN: CN9930-000

<b>UL-MARKING AND LABELLING SYSTEMS</b>		
PGIS2 - Marking and Labeling Systems, Limited Use - Component (UL 969)		
File: MH61871	Product design: <b>SBP</b>	Ribbon: TMS-XXX-RIBBON-4RPSCE

TOLERANCES mm [INCH]	
LABEL HEIGHT:	±0.3 [.012]
LABEL WIDTH:	±0.3 [.012]
WEB WIDTH:	±0.8 [.031]
VERTICAL REPEAT:	±0.8 [.031]*
HORIZONTAL REPEAT:	±0.8 [.031]*
PRINT POSITIONING:	±0.8 [.031]*
LEFT MARGIN:	±0.4 [.016]
QUANTITY:	-0 % +2 %
*NON ACCUMULATING	

THIS DRAWING IS A CONTROLLED DOCUMENT.	
DIMENSIONS: mm [INCHES]	TOLERANCES UNLESS OTHERWISE SPECIFIED:
	0 PLC ±
	1 PLC ±
	2 PLC ±
	3 PLC ±
	4 PLC ±
	ANGLES ±
	FINISH ±
MATERIAL SEE TABLE	GLOSSY

MATERIAL	CLEAR VINYL
ADHESIVE TYPE	ACRYLIC PERMANENT
LINEAR	WHITE KRAFT
DWN GOPALAKRISHNA HV 20MAR2017	TE Connectivity
CHK D.BURGAT 20MAR2017	
APVD D.BURGAT 20MAR2017	NAME SBP LABEL - WHITE 48.3 x 81.0mm [1.90 x 3.19inch]
PRODUCT SPEC TTDS-211	
APPLICATION SPEC	
WEIGHT 0.544g	SIZE A2
CAGE CODE 00779	DRAWING NO SBP190319WE2.5
CUSTOMER DRAWING	RESTRICTED TO
SCALE NTS	SHEET 1 of 1
REV F	