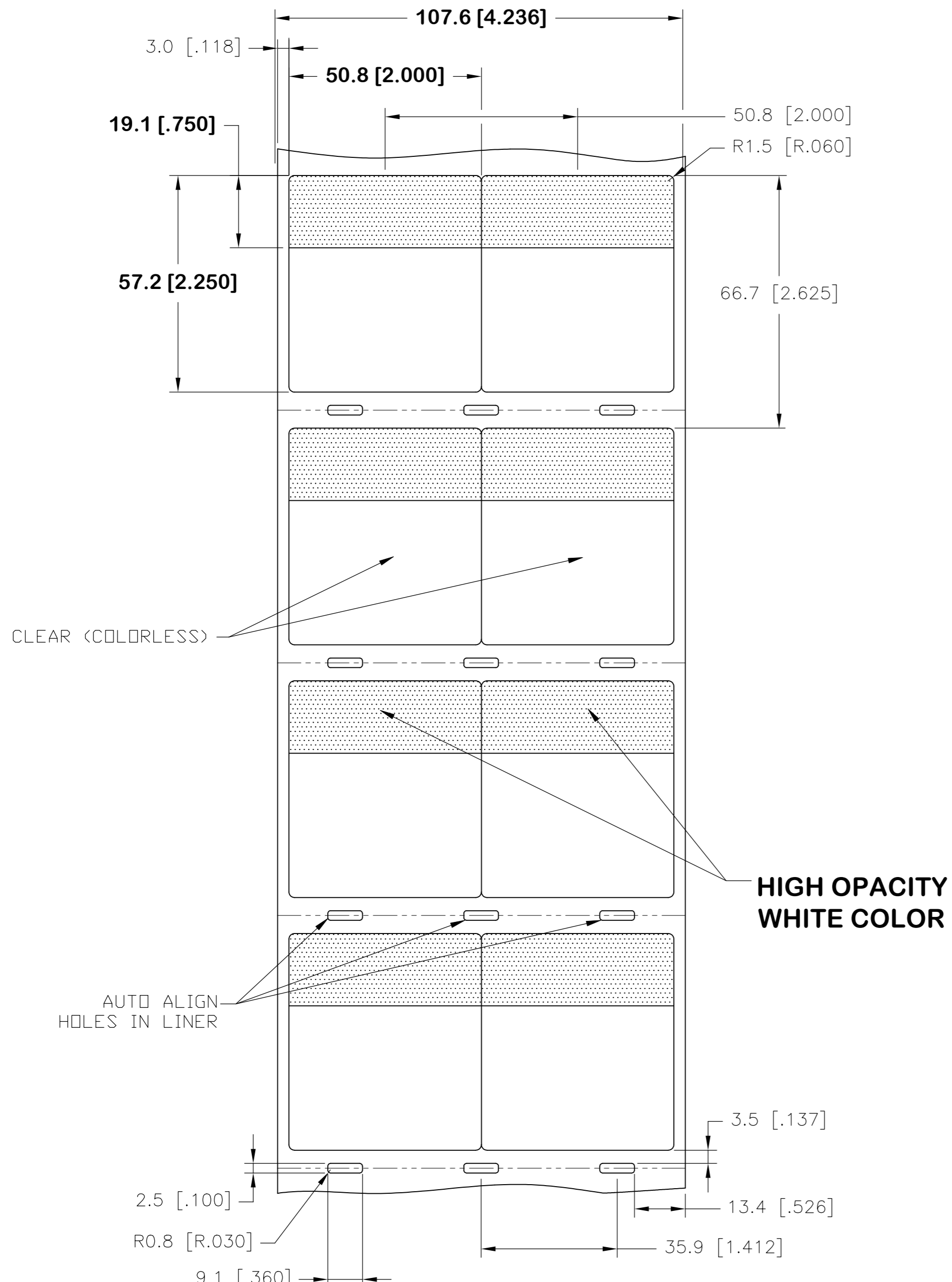


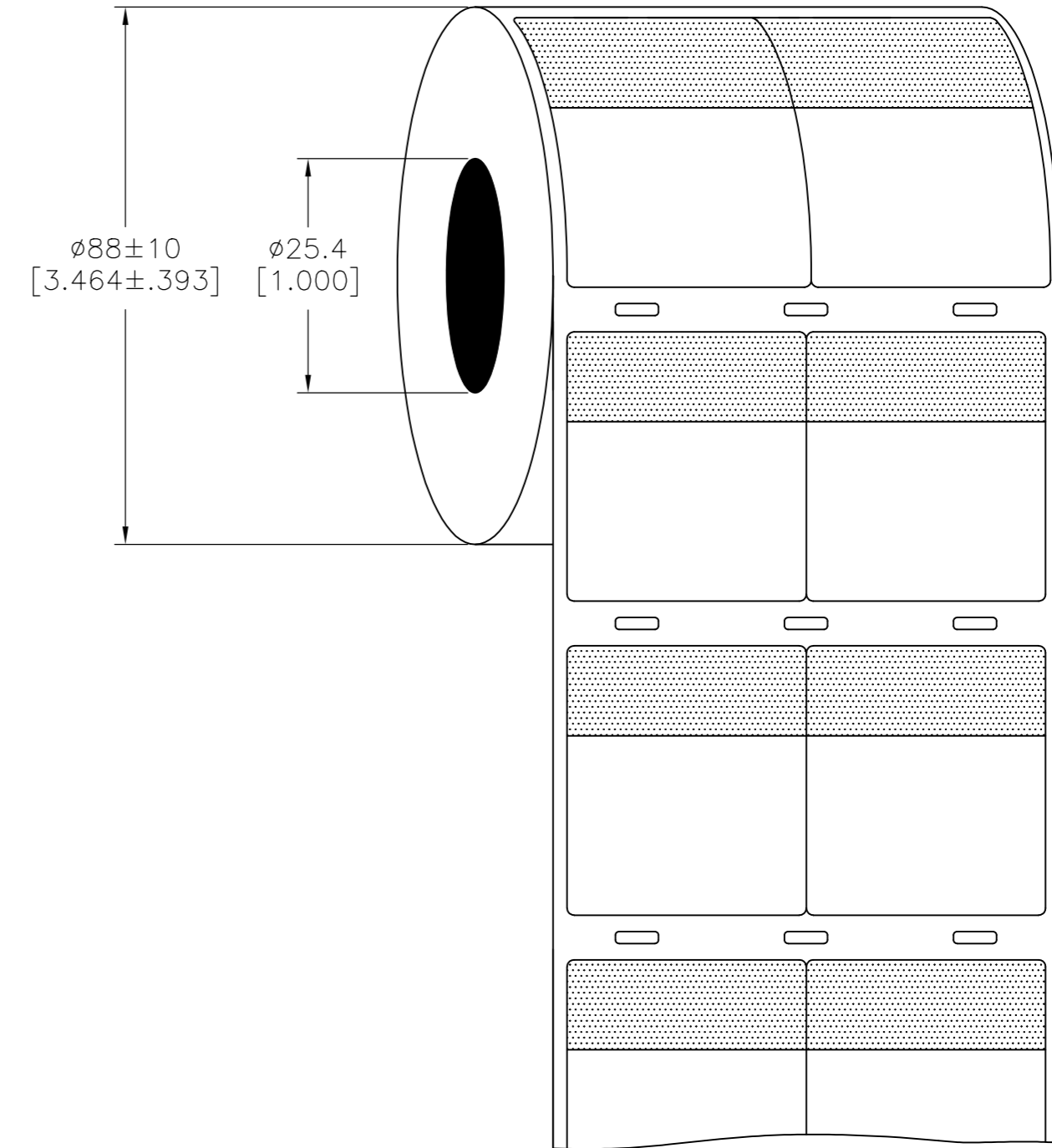
THIS DRAWING IS UNPUBLISHED. RELEASED FOR PUBLICATION JUL , 2017.  
 © COPYRIGHT 2017 By TE Connectivity ALL RIGHTS RESERVED.

REVISIONS					
P	LTR	DESCRIPTION	DATE	DWN	APVD
	A	INITIAL RELEASE	15JUL2017	GK	DB
	F	LINER CHANGE	17SEP2018	GK	DB

**LABEL AND LINER DESIGN**



**PRESENTATION**



**OUTSIDE WOUND LABEL ACROSS: 2 PER ROLL QTY: 1000**

All dimensions in mm [Inch]

**TE PN: CT79703001**

TOLERANCES mm [INCH]	
LABEL HEIGHT:	±0.3 [.012]
LABEL WIDTH:	±0.3 [.012]
WEB WIDTH:	±0.8 [.031]
VERTICAL REPEAT:	±0.8 [.031]*
HORIZONTAL REPEAT:	±0.8 [.031]*
PRINT POSITIONING:	±0.8 [.031]*
LEFT MARGIN:	±0.4 [.016]
QUANTITY:	-0% +2% *NON ACCUMULATING

THIS DRAWING IS A CONTROLLED DOCUMENT.	
DIMENSIONS: mm [INCHES]	TOLERANCES UNLESS OTHERWISE SPECIFIED:
	0 PLC ±
	1 PLC ±
	2 PLC ±
	3 PLC ±
	4 PLC ±
	ANGLES ±
	FINISH ±

DWN: GOPALAKRISHNA HV	15JUL2017	 TE Connectivity	SBP LABEL - WHITE - T200 PRINTER 50.8 x 57.2mm [2.00 x 2.25inch]
CHK: D.BURGAT	15JUL2017		
APVD: D.BURGAT	15JUL2017		
PRODUCT SPEC: TTDS-211			
MATERIAL: CLEAR VINYL	ADHESIVE TYPE: ACRYLIC PERMANENT	LINEAR: WHITE KRAFT	RESTRICTED TO: -
WEIGHT: 0.404g	SIZE: A2	CAGE CODE: 00779	DRAWING NO: SBP200225WE1-T200
CUSTOMER DRAWING			SCALE: NTS SHEET: 1 of 1 REV: F