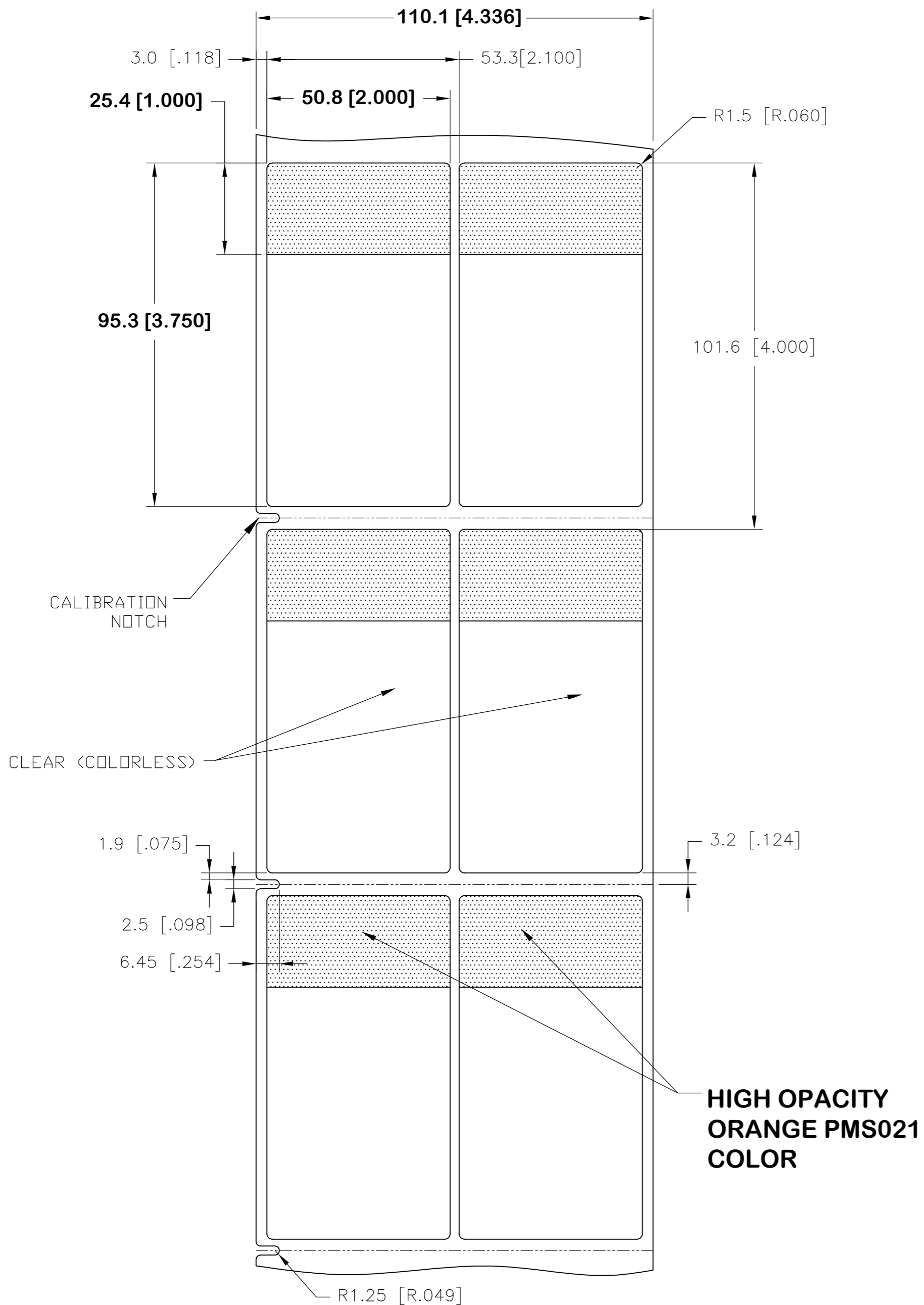


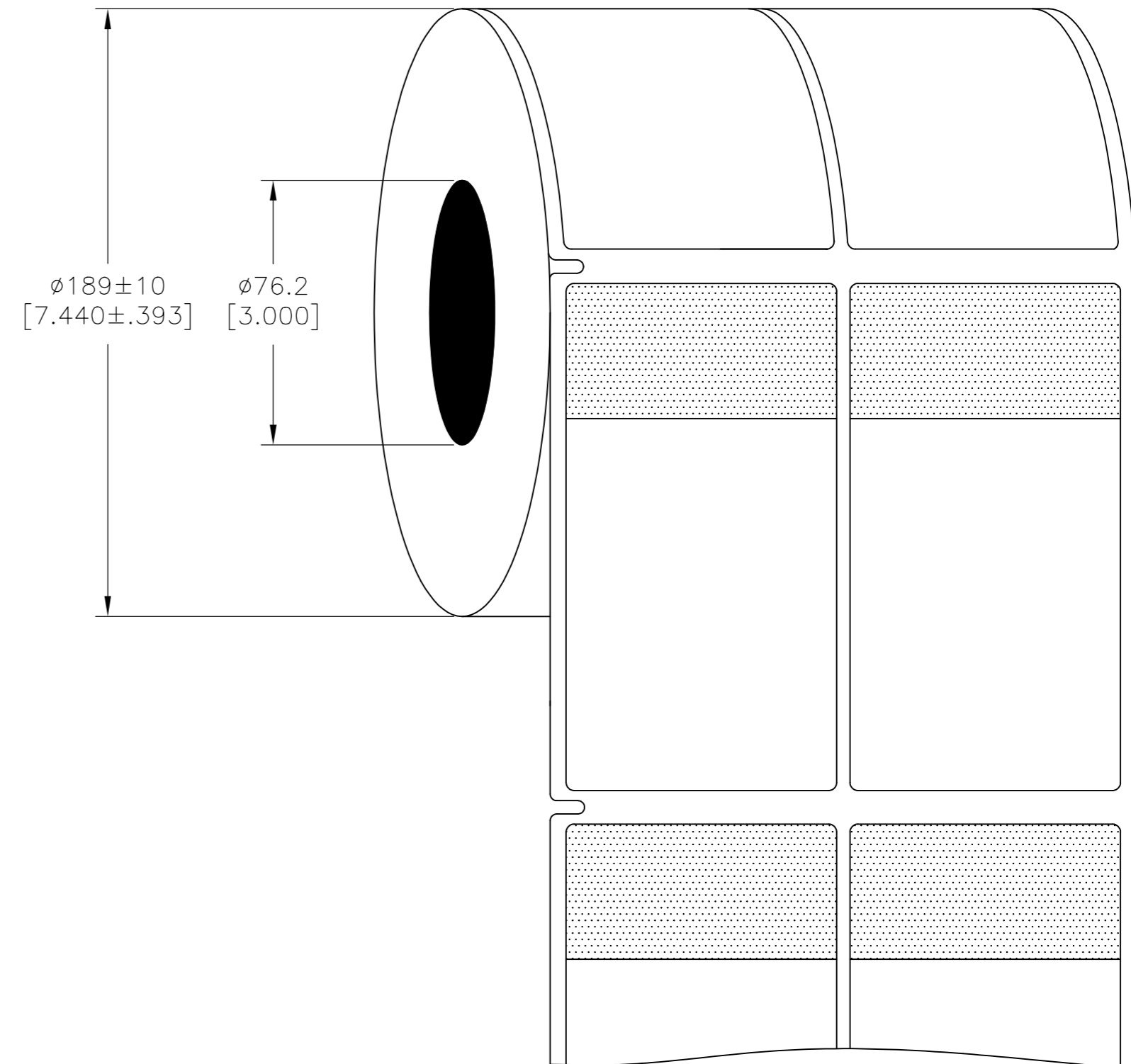
THIS DRAWING IS UNPUBLISHED. RELEASED FOR PUBLICATION MAR , 2017.  
 © COPYRIGHT 2017 By TE Connectivity ALL RIGHTS RESERVED.

REVISIONS					
P	LTR	DESCRIPTION	DATE	DWN	APVD
	B	NEW DRAWING FORMAT	28MAR2017	GK	DB
	F	LINER CHANGE	23NOV2018	GK	DB

**LABEL AND LINER DESIGN**



**PRESENTATION**



**OUTSIDE WOUND  
 LABEL ACROSS: 2  
 PER ROLL QTY: 2500**

All dimensions in mm [Inch]

**TE PN: CP8958-000**

**HIGH OPACITY  
 ORANGE PMS021  
 COLOR**

TOLERANCES mm [INCH]	
LABEL HEIGHT:	$\pm 0.3$ [.012]
LABEL WIDTH:	$\pm 0.3$ [.012]
WEB WIDTH:	$\pm 0.8$ [.031]
VERTICAL REPEAT:	$\pm 0.8$ [.031]*
HORIZONTAL REPEAT:	$\pm 0.8$ [.031]*
PRINT POSITIONING:	$\pm 0.8$ [.031]*
LEFT MARGIN:	$\pm 0.4$ [.016]
QUANTITY:	-0 % +2 %
*NON ACCUMULATING	

THIS DRAWING IS A CONTROLLED DOCUMENT.	
DIMENSIONS: mm [INCHES]	TOLERANCES UNLESS OTHERWISE SPECIFIED:
	0 PLC ± -
	1 PLC ± -
	2 PLC ± -
	3 PLC ± -
	4 PLC ± -
	ANGLES ± -
	FINISH ± -
MATERIAL SEE TABLE	GLOSSY

MATERIAL	CLEAR VINYL
ADHESIVE TYPE	ACRYLIC PERMANENT
LINEAR	WHITE KRAFT
DWN GOPALAKRISHNA HV 28MAR2017	TE Connectivity
CHK D.BURGAT 28MAR2017	
APVD D.BURGAT 28MAR2017	
PRODUCT SPEC TTDS-211	NAME SBP LABEL - ORANGE PMS021 50.8 x 95.3mm [2.00 x 3.75inch]
APPLICATION SPEC	RESTRICTED TO
WEIGHT 0.673g	SIZE A2
CAGE CODE 00779	DRAWING NO SBP2003750E2.5
CUSTOMER DRAWING	SCALE NTS
SHEET 1 of 1	REV F

<b>UL-MARKING AND LABELLING SYSTEMS</b>		
PGIS2 - Marking and Labeling Systems, Limited Use - Component (UL 969)		
File: MH61871	Product design: <b>SBP</b>	Ribbon: TMS-XXX-RIBBON-4RPSCE