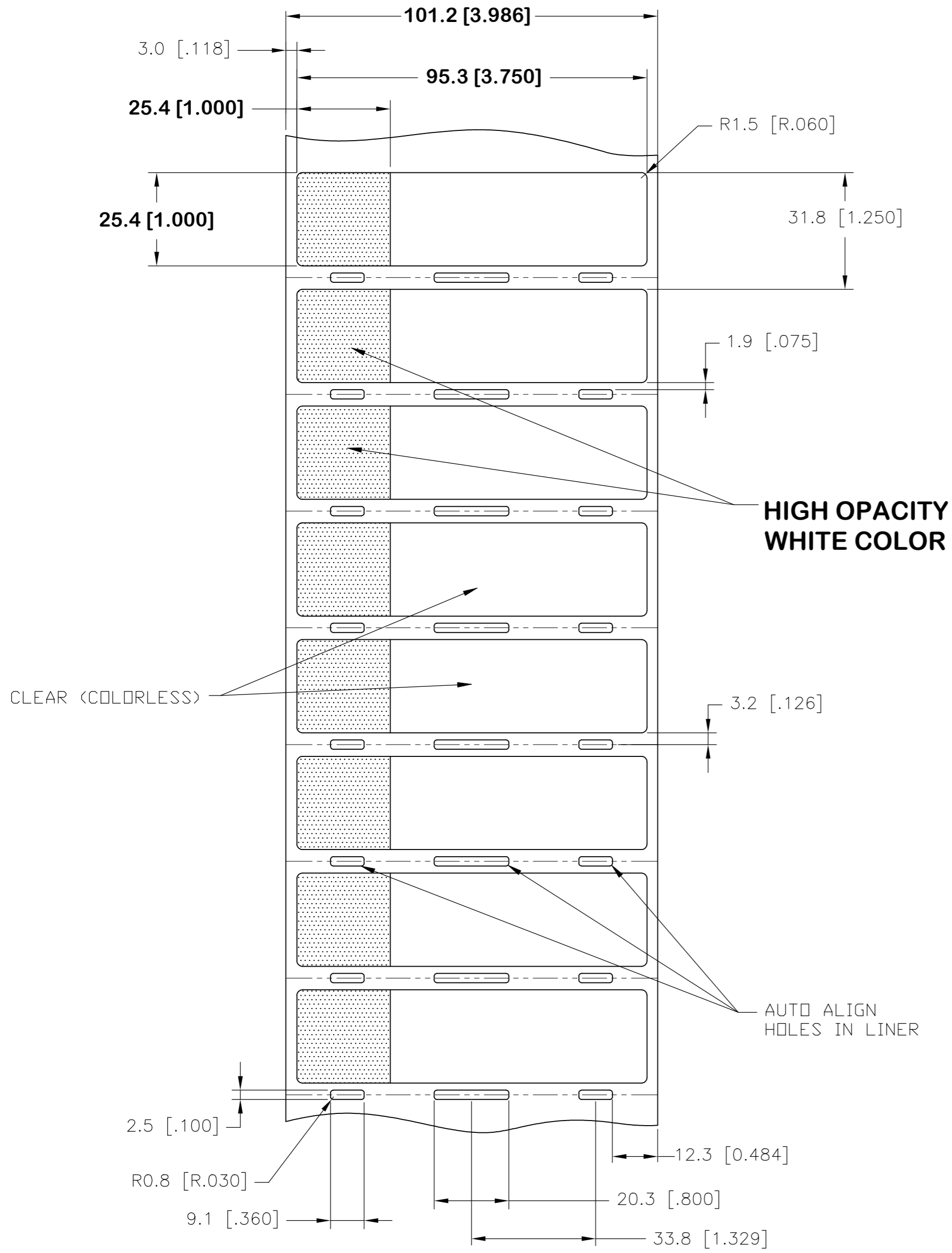
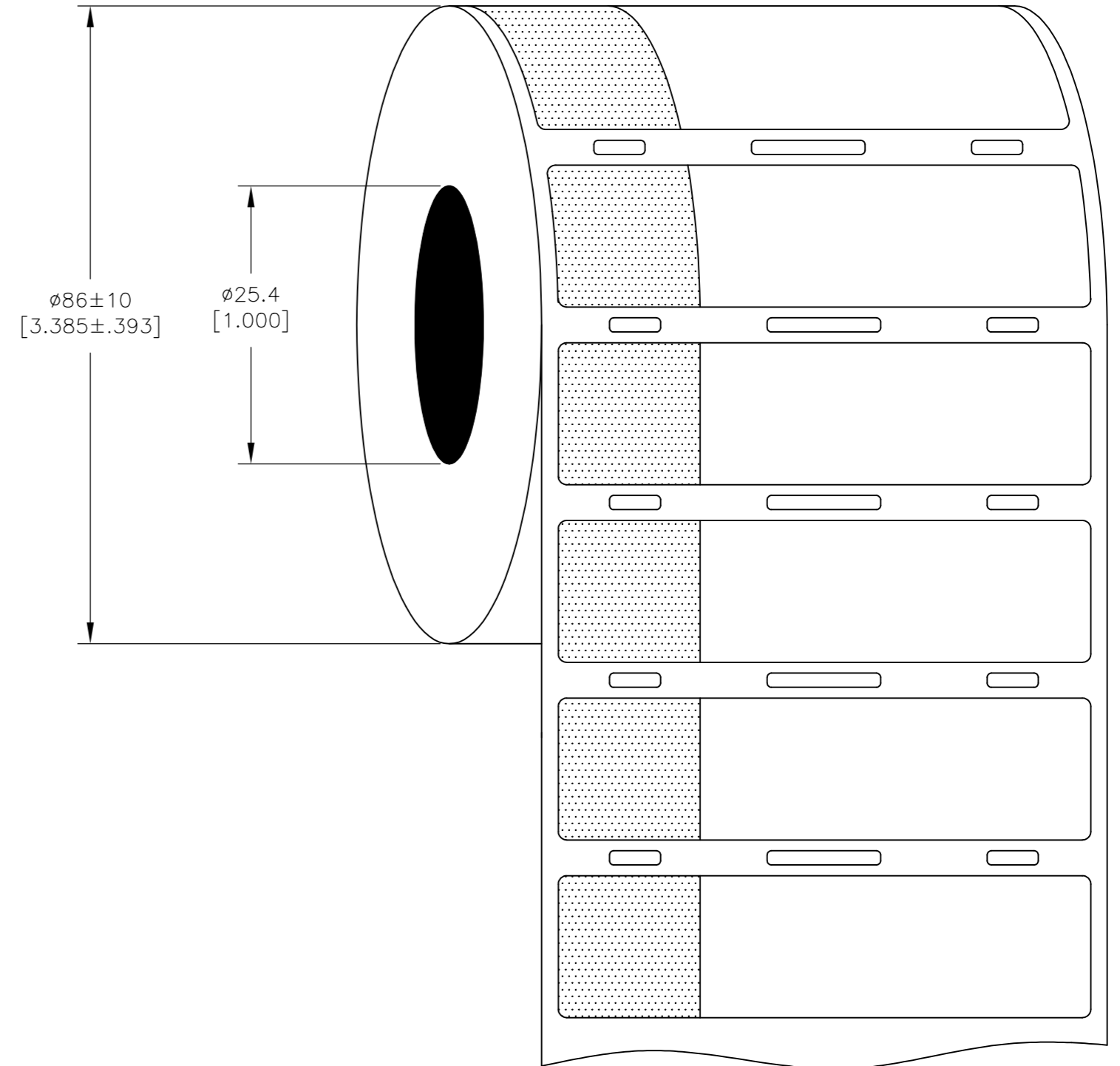


REVISIONS					
P	LTR	DESCRIPTION	DATE	DWN	APVD
	B	NEW DRAWING FORMAT	25FEB2017	GK	DB
	F	LINER CHANGE	11OCT2018	GK	DB

LABEL AND LINER DESIGN



PRESENTATION



HIGH OPACITY WHITE COLOR

CLEAR (COLORLESS)

AUTO ALIGN HOLES IN LINER

OUTSIDE WOUND LABEL ACROSS: 1 PER ROLL QTY: 1000

All dimensions in mm [Inch]

TE PN: CN9939-000

UL-MARKING AND LABELLING SYSTEMS		
PGIS2 - Marking and Labeling Systems, Limited Use - Component (UL 969)		
File: MH61871	Product design: SBP	Ribbon: TMS-XXX-RIBBON-4RPSCE

TOLERANCES mm [INCH]	
LABEL HEIGHT:	±0.3 [.012]
LABEL WIDTH:	±0.3 [.012]
WEB WIDTH:	±0.8 [.031]
VERTICAL REPEAT:	±0.8 [.031]*
HORIZONTAL REPEAT:	±0.8 [.031]*
PRINT POSITIONING:	±0.8 [.031]*
LEFT MARGIN:	±0.4 [.016]
QUANTITY:	-0 % +2 %
*NON ACCUMULATING	

DIMENSIONS: mm [INCHES]		TOLERANCES UNLESS OTHERWISE SPECIFIED:	
0 PLC	±	PLC	±
1 PLC	±	PLC	±
2 PLC	±	PLC	±
3 PLC	±	PLC	±
4 PLC	±	PLC	±
ANGLES	±	ANGLES	±

MATERIAL		CLEAR VINYL	
ADHESIVE TYPE		ACRYLIC PERMANENT	
LINEAR		WHITE KRAFT	
DWN	25FEB2017	TE Connectivity	
CHK	GOPALAKRISHNA HV	TE Connectivity	
APVD	D.BURGAT	TE Connectivity	
PRODUCT SPEC	TTDS-211	SBP LABEL-WHITE-T200 PRINTER HORIZONTAL	
APPLICATION SPEC		95.3 x 25.4mm [3.75 x 1.00inch]	
WEIGHT	0.336g	SIZE	A2
CUSTOMER DRAWING		CAGE CODE	00779
SCALE	NTS	DRAWING NO	C=SBPH100375WE1-T200
SHEET	1 of 1	RESTRICTED TO	
REV	F		