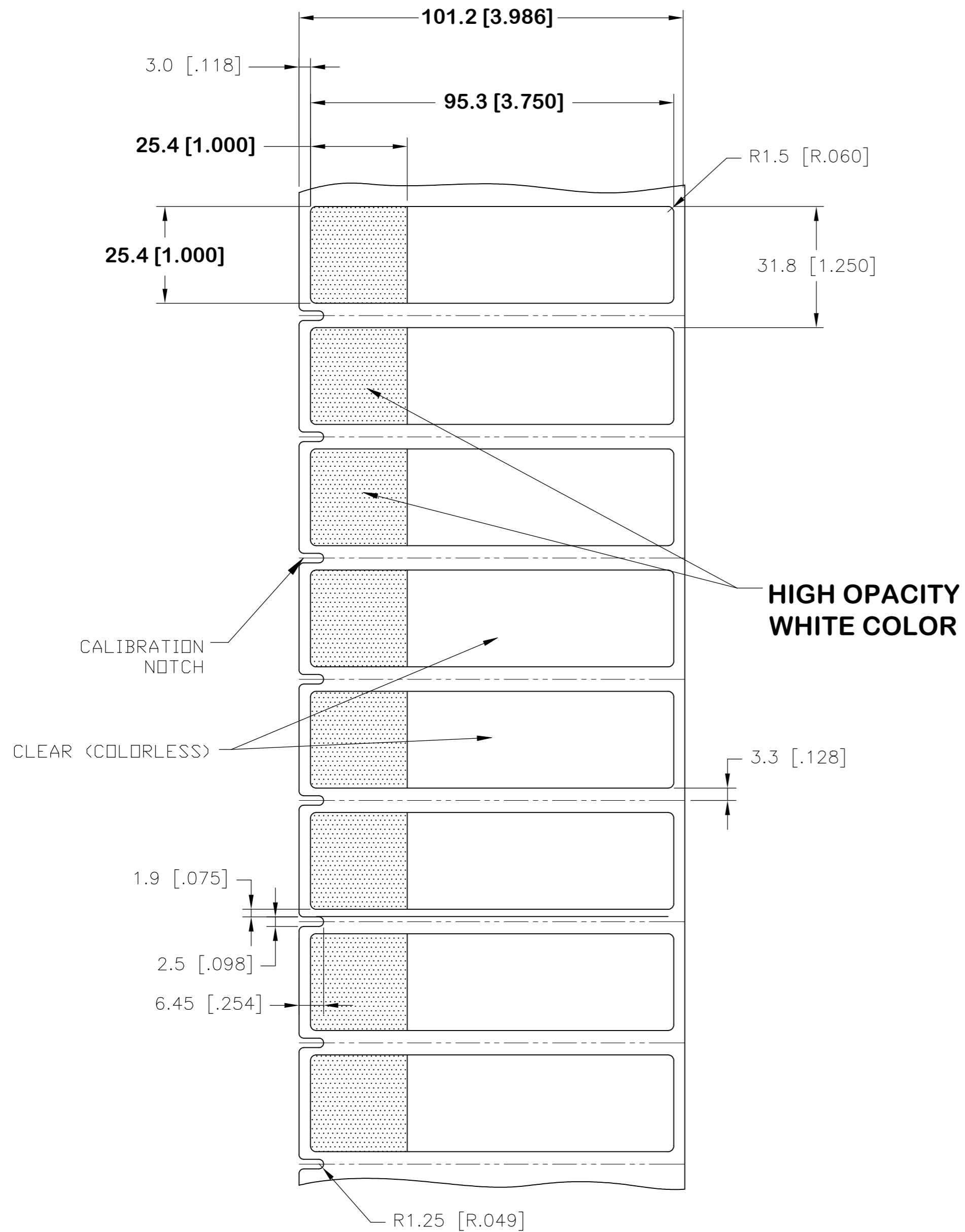


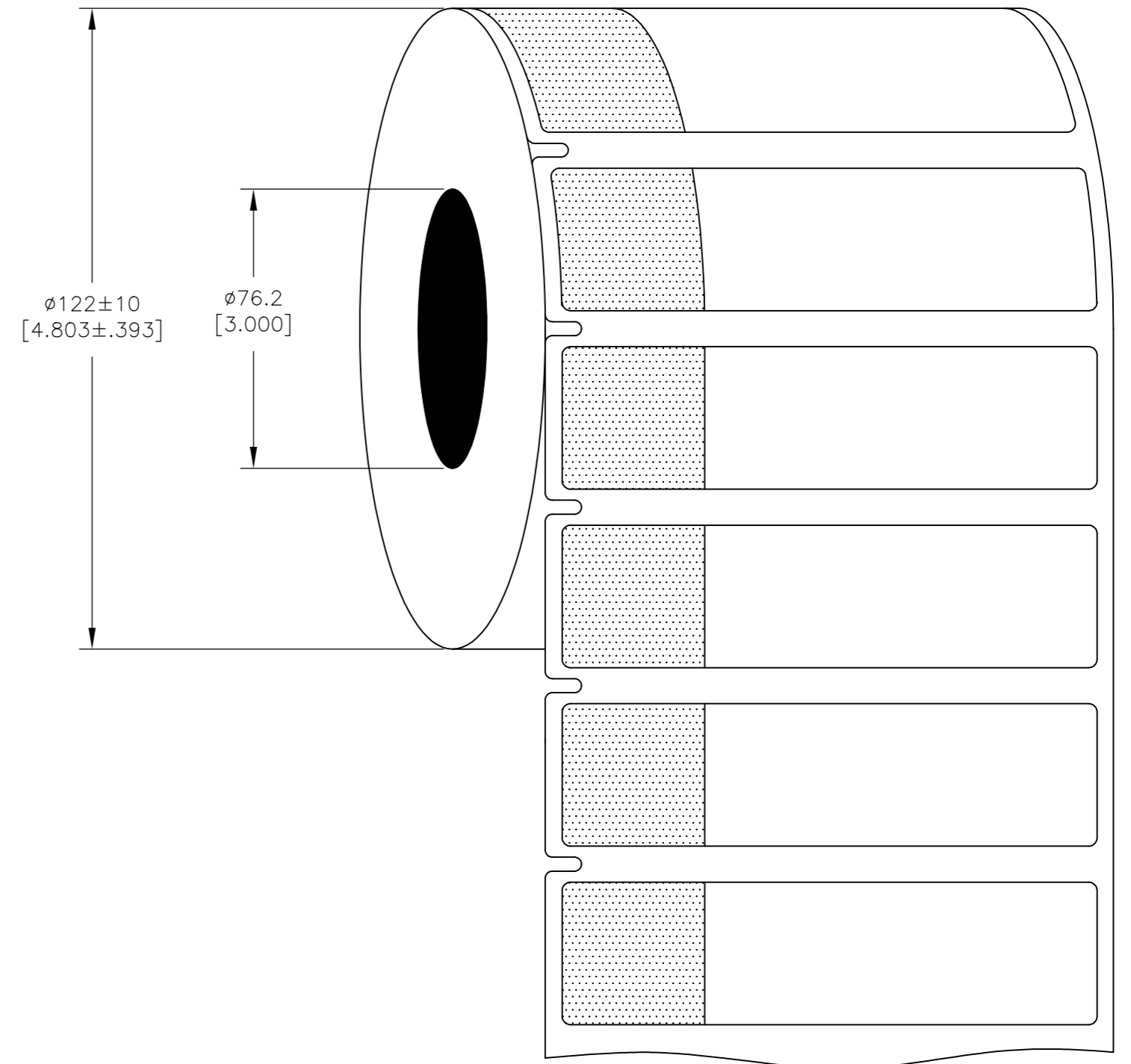
THIS DRAWING IS UNPUBLISHED. RELEASED FOR PUBLICATION MAR , 2017.
 © COPYRIGHT 2017 By TE Connectivity ALL RIGHTS RESERVED.

REVISIONS					
P	LTR	DESCRIPTION	DATE	DWN	APVD
	B	NEW DRAWING FORMAT	21MAR2017	GK	DB
	F	LINER CHANGE	18SEP2018	GK	DB

LABEL AND LINER DESIGN



PRESENTATION



**OUTSIDE WOUND
 LABEL ACROSS: 1
 PER ROLL QTY: 2500**

All dimensions in mm [Inch]

TE PN: CN9941-000

UL-MARKING AND LABELLING SYSTEMS		
PGIS2 - Marking and Labeling Systems, Limited Use - Component (UL 969)		
File: MH61871	Product design: SBP	Ribbon: TMS-XXX-RIBBON-4RPSCE

TOLERANCES mm [INCH]	
LABEL HEIGHT:	±0.3 [.012]
LABEL WIDTH:	±0.3 [.012]
WEB WIDTH:	±0.8 [.031]
VERTICAL REPEAT:	±0.8 [.031]*
HORIZONTAL REPEAT:	±0.8 [.031]*
PRINT POSITIONING:	±0.8 [.031]*
LEFT MARGIN:	±0.4 [.016]
QUANTITY:	-0 % +2 %
*NON ACCUMULATING	

THIS DRAWING IS A CONTROLLED DOCUMENT.	
DIMENSIONS: mm [INCHES]	TOLERANCES UNLESS OTHERWISE SPECIFIED:
	0 PLC ±
	1 PLC ±
	2 PLC ±
	3 PLC ±
	4 PLC ±
	ANGLES ±
	FINISH ±
MATERIAL SEE TABLE	GLOSSY

MATERIAL	CLEAR VINYL
ADHESIVE TYPE	ACRYLIC PERMANENT
LINEAR	WHITE KRAFT
DWN GOPALAKRISHNA HV 21MAR2017	TE Connectivity
CHK D.BURGAT 21MAR2017	
APVD D.BURGAT 21MAR2017	NAME
PRODUCT SPEC TTDS-211	SBP LABEL - WHITE - HORIZONTAL 95.3 x 25.4mm [3.75 x 1.00inch]
APPLICATION SPEC	
WEIGHT 0.336g	SIZE A2
CUSTOMER DRAWING	CAGE CODE 00779
SCALE NTS	DRAWING NO SBPH100375WE2.5
SHEET 1 of 1	RESTRICTED TO
REV F	