

High Voltage Vacuum Relay

Features

Physical:

- Hermetically Sealed: arc contained
- Maintenance free

Environmental:

- Temperature range -55°C to 125°C
- 50G Shock

Ratings:

- Make and break load switching
- Meets requirements of MIL-R-83725
- 8 kVdc
- 15 Adc carry

Coil Voltage:

- 12, 26.5, 115 Vdc Standard



CI Technologies™
advanced control electronic solutions

P.O. Box 4422, Santa Barbara, CA 93140
Phone (805) 684-4560 Fax (805) 684-9679

E-Mail: info@ciitech.com

Internet: <http://www.ciitech.com/>

TITLE

High Voltage Vacuum Relay

PREP. BY

JP

2/24/82

DWG NO.

HC-4 SERIES

CHKD. BY

RDM

2/24/82

CAGE CODE

18741

SCALE

NA

SHEET

1 of 5

ENG APPR/

LI

2/24/82

General Specifications

K

Physical Data

Units

Contact Arrangement		SPDT
Form		C
Weight	oz	1.4

Environmental Data

Shock, 11ms ½ sine	g_{peak}	50
Vibration, 10 g_{peak}	Hz	55-2000
Operating Temperature Range	°C	-55 to +125

Electrical Data

Test Voltage (dc or 60 Hz)	kV_{peak}	10
Rated Operating Voltage (dc or 60 Hz)	kV_{peak}	8
Coil Hi-Pot	V_{rms}	500
Continuous Current Carry, Contacts Closed (dc or 60 Hz)	A	15
Contact Resistance, maximum	Ohms	0.020
Mechanical Life	cycles	1,000,000

Mechanical Data

Operate Time, Maximum	ms	6
Release Time, Maximum	ms	6

1. RATINGS LISTED ARE FOR 25 °C SEA LEVEL CONDITIONS.
2. RELAY BASE MUST BE GROUNDED.



P.O. Box 4422, Santa Barbara, CA 93140
 Phone: (805) 684-4560 Fax: (805) 684-9679
 E-Mail: info@ciitech.com
 Internet: <http://www.ciitech.com>

HC-4 SERIES

THIRD ANGLE PROJECTION



THIS DRAWING
 PREPARED IN
 ACCORDANCE WITH

CAGE CODE

10744

SCALE

...

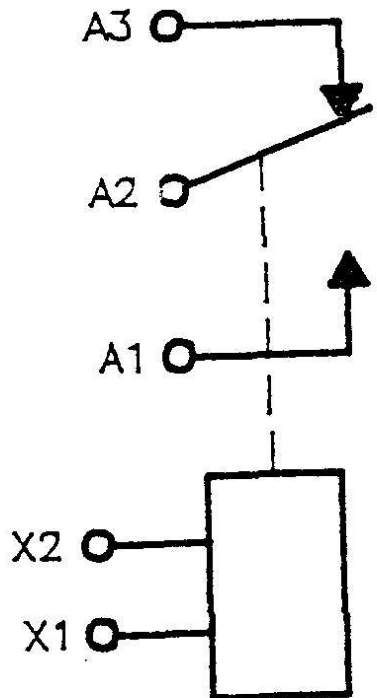
SHEET

0 of 5

Coil Data

	Units	HC-4/12VDC	HC-4	HC-4/115VDC
Coil Voltage, nominal	Vdc	12	26.5	115
Pickup Voltage, maximum	Vdc	8	16	80
Drop-out Voltage	Vdc	.5-5	1-10	5-50
Coil Resistance (± 10%)	Ω	80	335	6000

Schematic



P.O. Box 4422, Santa Barbara, CA 93140
 Phone: (805) 684-4560 Fax: (805) 684-9679
 E-Mail: info@ciitech.com
 Internet: <http://www.ciitech.com>

HC-4 SERIES

THIRD ANGLE PROJECTION



THIS DRAWING
 PREPARED IN
 ACCORDANCE WITH

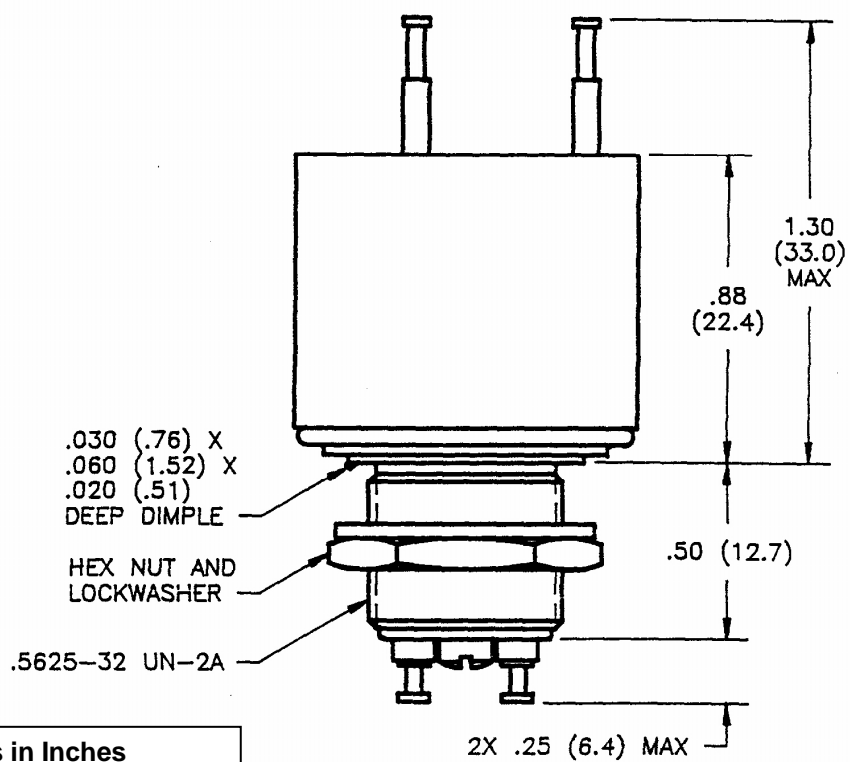
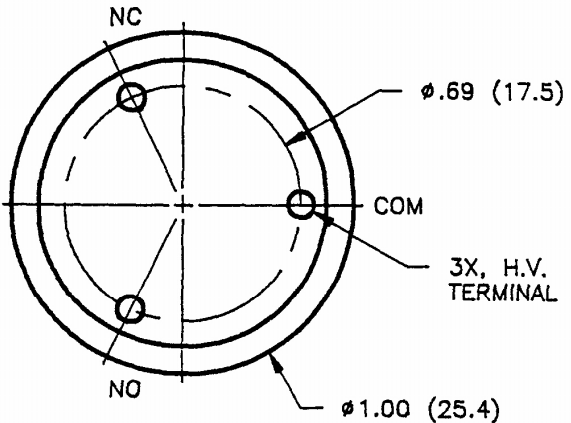
CAGE CODE

SCALE

SHEET

Part Drawing

K



Dimensions in Inches
 (Dimensions in Parentheses are in Millimeters)
 Tolerances except as noted
 .xx = ±.03
 .xxx = ±.010
 ∠ x° = ± 2°
 DO NOT SCALE DWG.



P.O. Box 4422, Santa Barbara, CA 93140
 Phone: (805) 684-4560 Fax: (805) 684-9679
 E-Mail: info@ciitech.com
 Internet: <http://www.ciitech.com>

HC-4 SERIES

THIRD ANGLE PROJECTION



THIS DRAWING PREPARED IN ACCORDANCE WITH

CAGE CODE	SCALE	SHEET
-----------	-------	-------

Revisions

REV.	DESCRIPTION		DATE	APP.
A	Initial Release	ECO 6285	82/02/24	RDM
B	Revised Pages 1 and 2	ECO 6394	82/07/06	HJ
C	Revised Pages 1 and 4	ECO 7030	84/11/02	RG
D	Revised Pages 1 and 2	ECO 7369	86/02/13	RG
E	Revised Pages 1 and 4	ECO 7702	87/05/08	DKP
F	Revised Pages 1 and 2	ECO 7815	87/10/01	RG
G	Revised Pages 1 and 4	ECO 8570	91/01/11	RG
H	Revised Pages 1 and 4	ECO 8947	93/04/02	RG
J	Revised Pages 1 and 4	ECO 9018	93/05/18	RG
K	New Template	DCO 11856	99-09-21	RJG



P.O. Box 4422, Santa Barbara, CA 93140
 Phone: (805) 684-4560 Fax: (805) 684-9679
 E-Mail: info@ciitech.com
 Internet: <http://www.ciitech.com>

HC-4 SERIES

THIRD ANGLE PROJECTION



THIS DRAWING
 PREPARED IN
 ACCORDANCE WITH

CAGE CODE

10744

SCALE

...

SHEET

1 of 5