

6

5

4

3

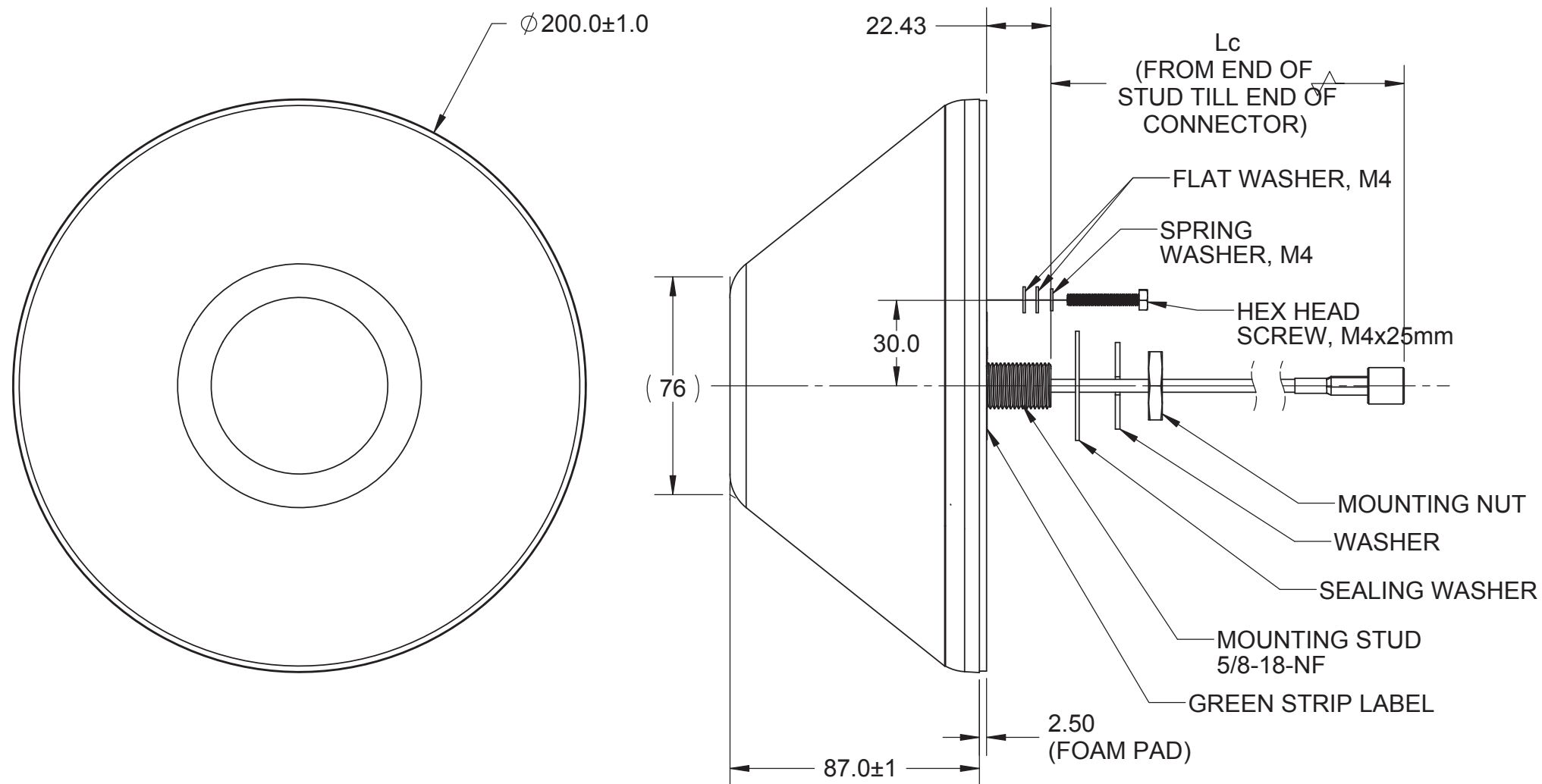
2

1

THIS DRAWING IS UNPUBLISHED.	RELEASED FOR PUBLICATION	- , - .
© Copyright 2022 TE Connectivity Ltd.	ALL RIGHTS RESERVED.	

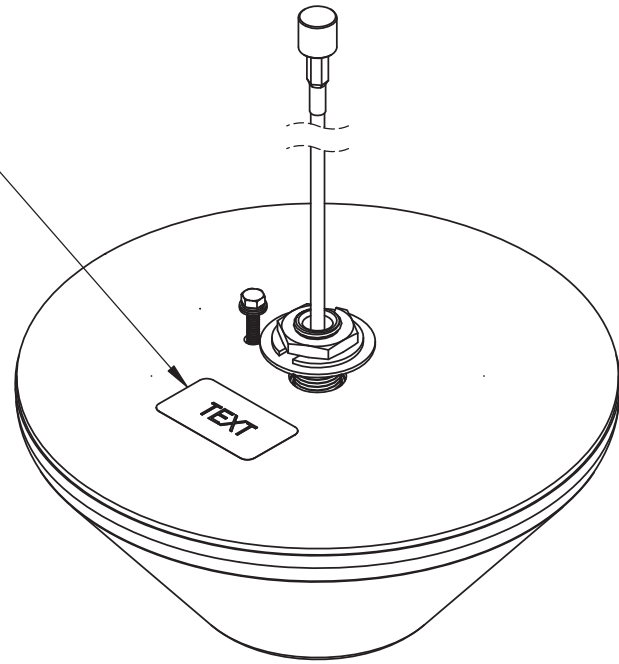
REVISIONS					
REV.	ECR#	ZONE	DESCRIPTION	CHANGED BY/DATE	APPROVED BY/DATE
AA			PRODUCTION RELEASE	WT NG 11-13-13	HANG 11-13-13

APPROVED



Parameter	Performance
Model Number	SMS69273-91NF
Frequency	698 - 806 MHz
	824 - 894 MHz
	925 - 960 MHz
	1710 - 1885 MHz
	1920 - 1980 MHz
	2110 - 2170 MHz
Elevation Plane 3dB Beamwidth	60° @ 698 - 960 MHz
	50° @ 1700 - 2200 MHz
	40° @ 2500 - 2700 MHz
Peak Gain	698 - 960 MHz Gain = 0.8 dBi
	1700-2200 MHz Gain = 0.2 dBi
	2500-2700 MHz Gain = 0.2 dBi
Polarization	Linear, Vertical
Impedance	50Ω
VSWR	2.0:1 Max.
Power	3 Watts
Pigtail Length, Lc	910mm +/- 18mm
RF Connector	N-Type, Female
Cable Type	LMR-195 or Equivalent
Radome	PC, UV stabilized, Black
Material Substance Compliance	ROHS
Flame Retardancy	UL-94 V0
Operating Temperature Range	-40°C to +70°C
Storage Temperature Range	-40°C to +70°C
IK Rating	IK 08
IP Rating	IP-67
Antenna Weight	Approx. 0.75 kg

UNIT LABEL
(PLACED
APPOXIMATELY
AS SHOWN)



MATERIAL: N/A			THIRD ANGLE PROJECTION
FINISH: N/A			
APPROVALS		DATE	DO NOT SCALE DRAWING INTERPRET DIMENSIONING AND TOLERANCING IN ACCORDANCE WITH ASME Y14.5M-2009 TOLERANCES UNLESS OTHERWISE SPECIFIED DIMENSIONS ARE IN MILLIMETERS
DRAWN BY	WT NG	10/25/11	
PROJ. ENG.	LL TEOH	11/24/11	
APPL. MECH.	GJ CHIN	11/24/11	
MFG.	CH FONG	11/24/11	
ANGLE: 0 PLACE DECIMAL: ±0.5 1 PLACE DECIMAL: ±0.25 2 PLACE DECIMAL: ±0.13			SURFACE ROUGHNESS 1.6/√

TE
connectivity

TITLE:
SMS69273-91NF

SIZE A3	DWG. NO. SMS69273-91NFMMO	REV AA
SCALE: 1:2 PREVIOUS#		SHEET 1 OF 1

6

5

4

3

2

1