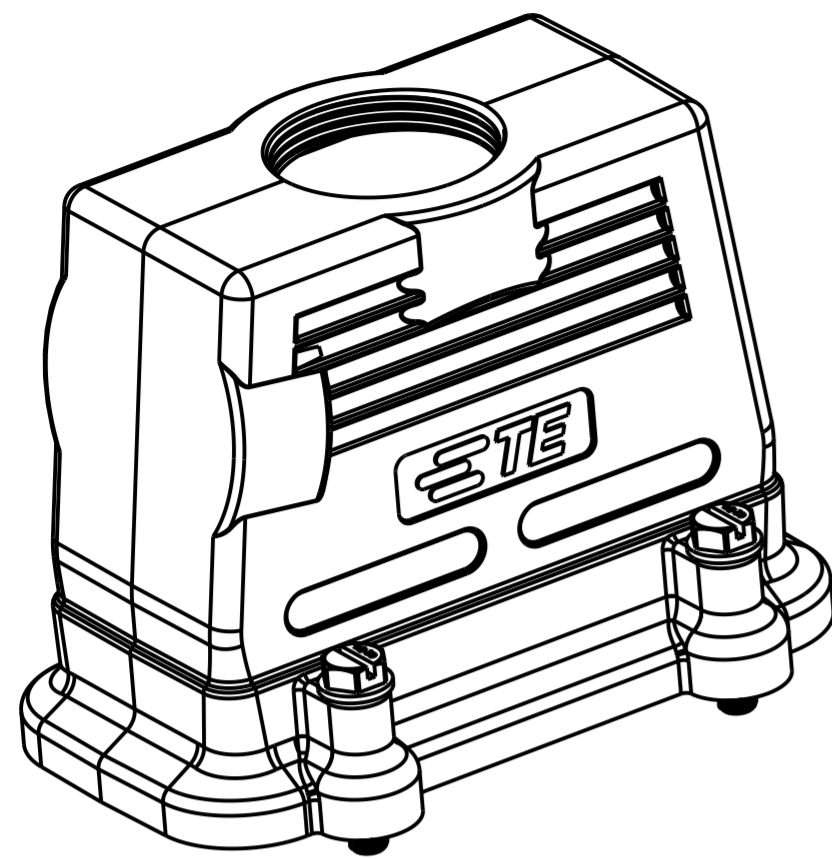
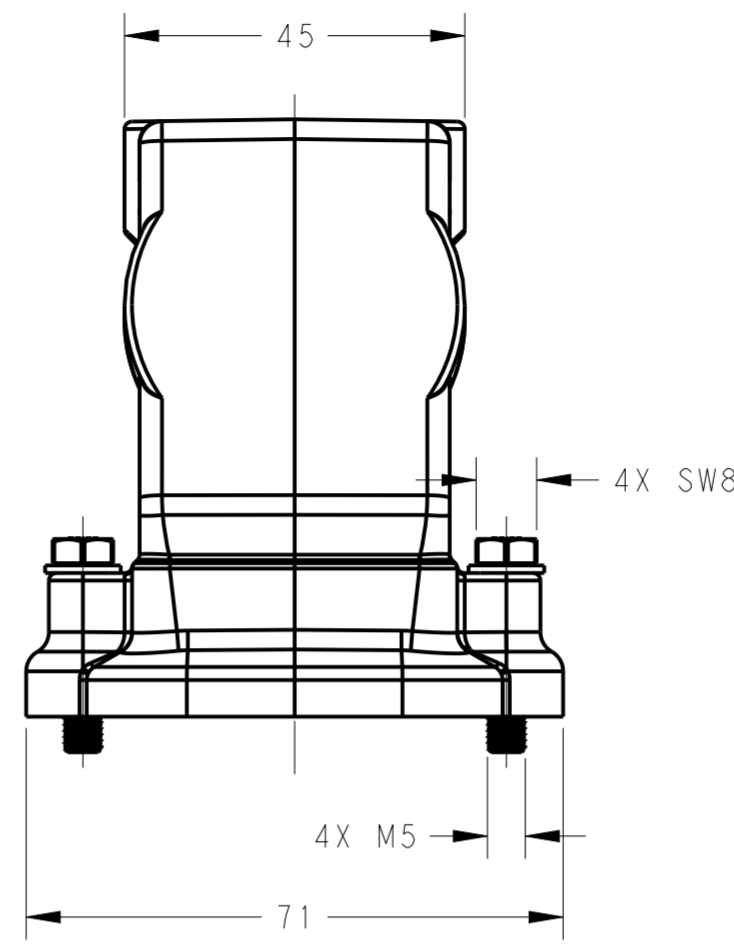
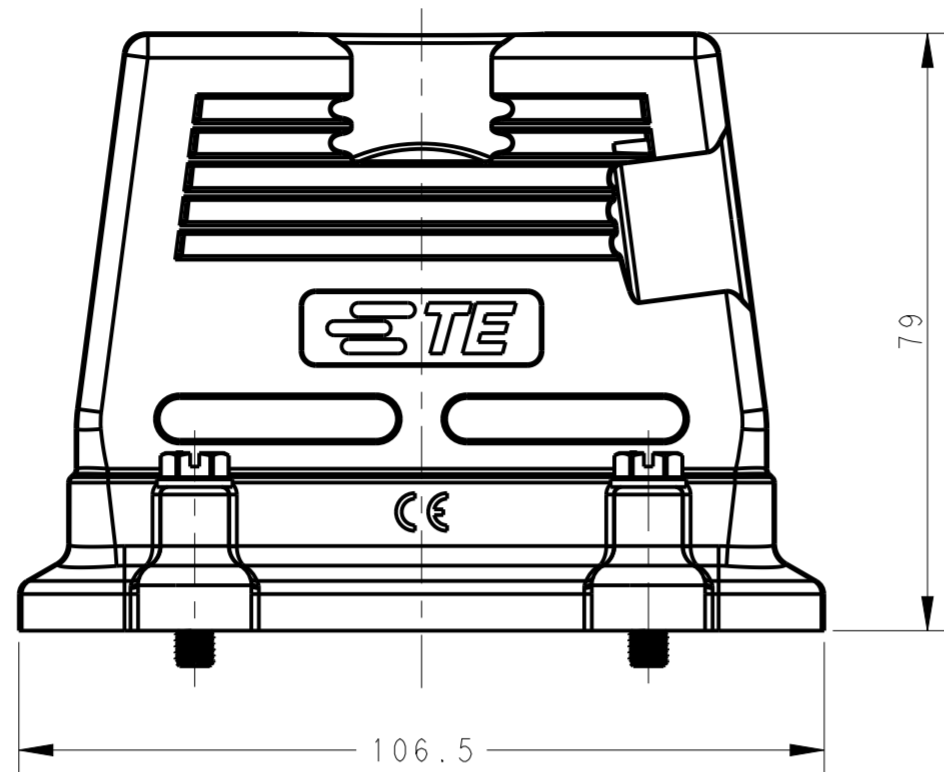


THIS DRAWING IS UNPUBLISHED. RELEASED FOR PUBLICATION 20  
 © COPYRIGHT 20 BY - ALL RIGHTS RESERVED.

REVISIONS				
P	LTR	DESCRIPTION	DATE	APVD
A		INITIAL	19FEB2016	DW CW
B		ECR-20-008190	31JUL2020	WOR CW

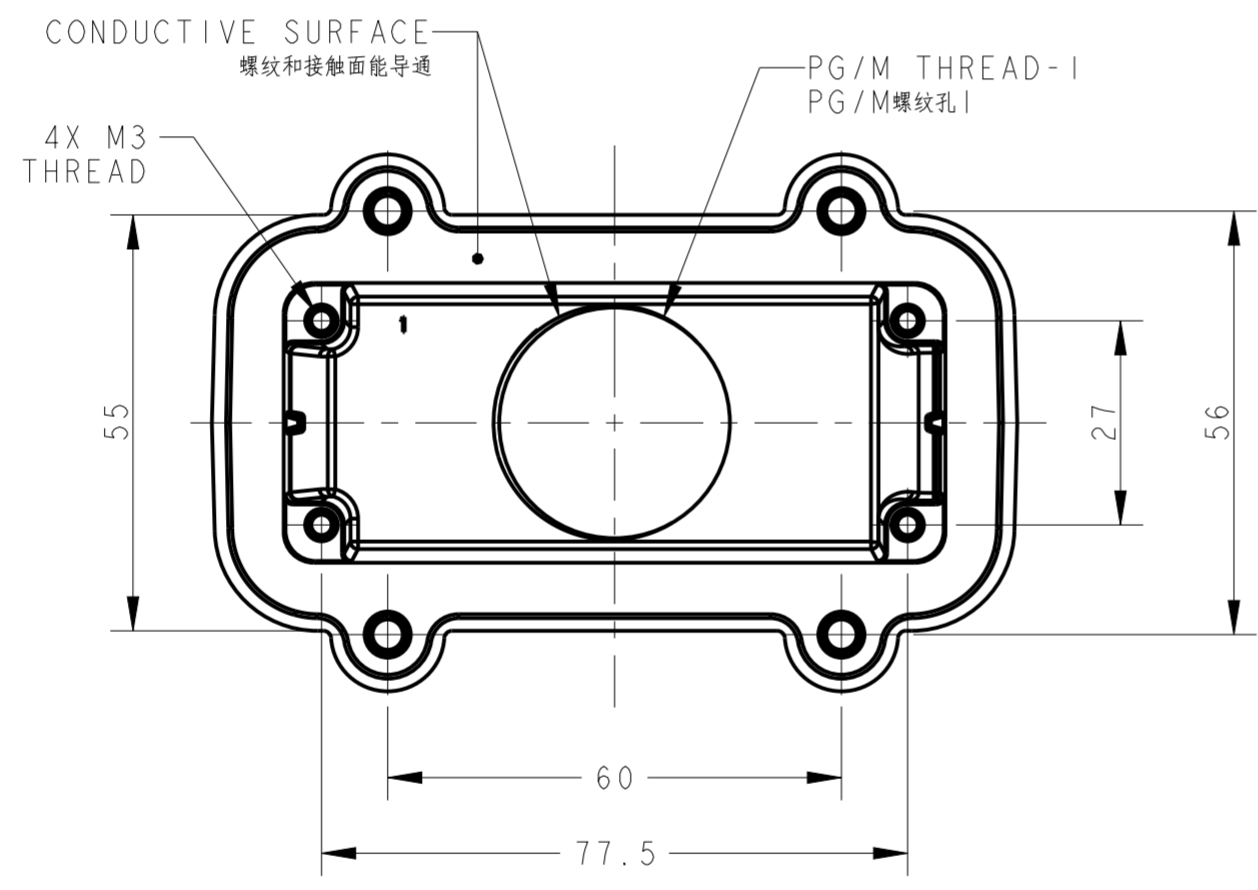


TYPE 1



NOTES:  
 1. TECHNICAL CHARACTERISTICS:  
 HOOD MATERIAL: DIE CAST ALUMINIUM ALLOY  
 SURFACE: POWDER COATED, GREY  
 DEGREE OF PROTECTION: IP67 (MATED)

注释:  
 1. 技术参数:  
 上壳材料: 铝合金  
 表面处理: 粉末涂层, 灰色  
 防护等级: IP67(配合)



TYPE 1: H16B HOOD, TOP ENTRY, HIGH CONSTRUCTION SCREW CONNECTION, CONTACT SURFACE CONDUCTIVE  
 类型1: H16B上壳(顶出、高结构、螺丝连接、接触面导通)

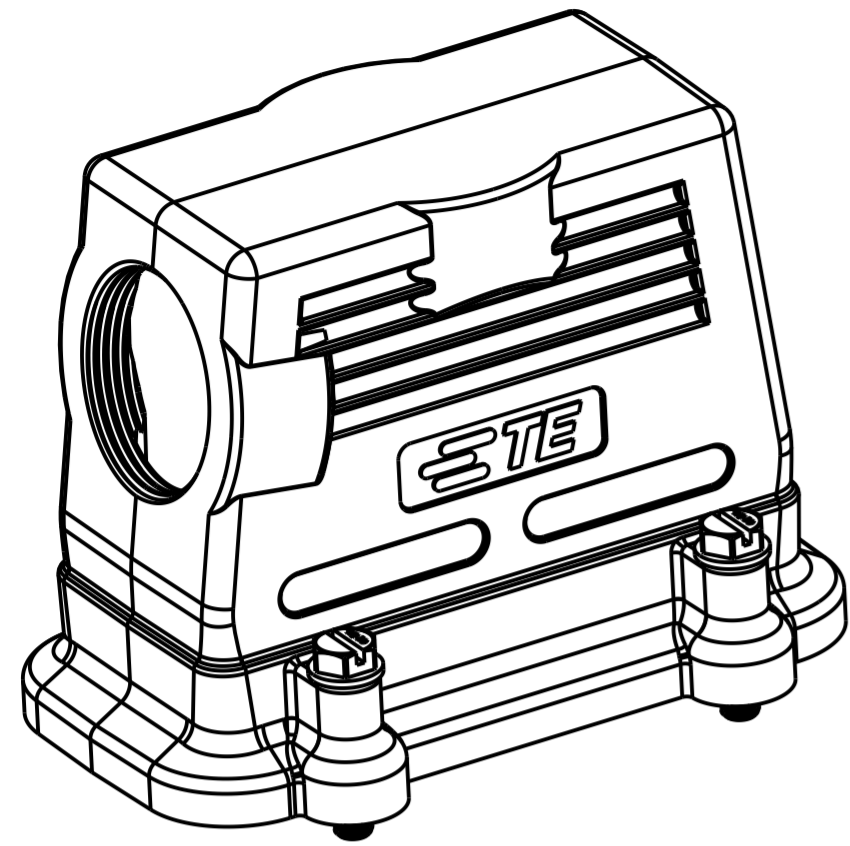
T1120165121-001	H16B-TSH-EMCS-N-PG21 H16B上壳(侧出PG21、高结构、螺丝连接、接触面导通)	-	PG21	TYPE 2 类型2
T1120165129-001	H16B-TSH-EMCS-N-PG29 H16B上壳(侧出PG29、高结构、螺丝连接、接触面导通)	-	PG29	
T1120165125-001	H16B-TSH-EMCS-N-M25 H16B上壳(侧出M25、高结构、螺丝连接、接触面导通)	-	M25	
T1120165132-001	H16B-TSH-EMCS-N-M32 H16B上壳(侧出M32、高结构、螺丝连接、接触面导通)	-	M32	
T1120165140-001	H16B-TSH-EMCS-N-M40 H16B上壳(侧出M40、高结构、螺丝连接、接触面导通)	-	M40	TYPE 1 类型1
T1130165121-001	H16B-TGH-EMCS-N-PG21 H16B上壳(顶出PG21、高结构、螺丝连接、接触面导通)	PG21	-	
T1130165129-001	H16B-TGH-EMCS-N-PG29 H16B上壳(顶出PG29、高结构、螺丝连接、接触面导通)	PG29	-	
T1130165125-001	H16B-TGH-EMCS-N-M25 H16B上壳(顶出M25、高结构、螺丝连接、接触面导通)	M25	-	
T1130165132-001	H16B-TGH-EMCS-N-M32 H16B上壳(顶出M32、高结构、螺丝连接、接触面导通)	M32	-	
T1130165140-001	H16B-TGH-EMCS-N-M40 H16B上壳(顶出M40、高结构、螺丝连接、接触面导通)	M40	-	
PART NUMBER 料号	PART DESCRIPTION 描述	PG/M THREAD-1 PG/M 螺紋孔1	PG/M THREAD-2 PG/M 螺紋孔2	TYPE 类型

THIS DRAWING IS A CONTROLLED DOCUMENT.

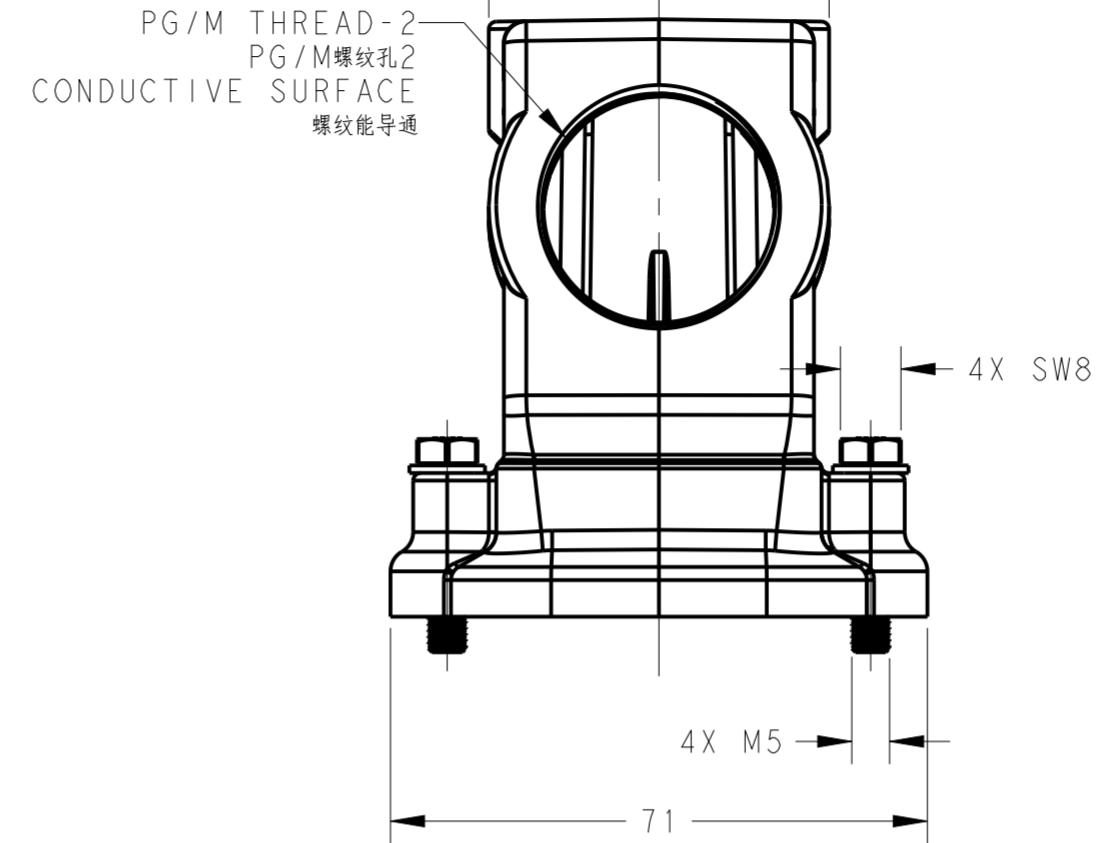
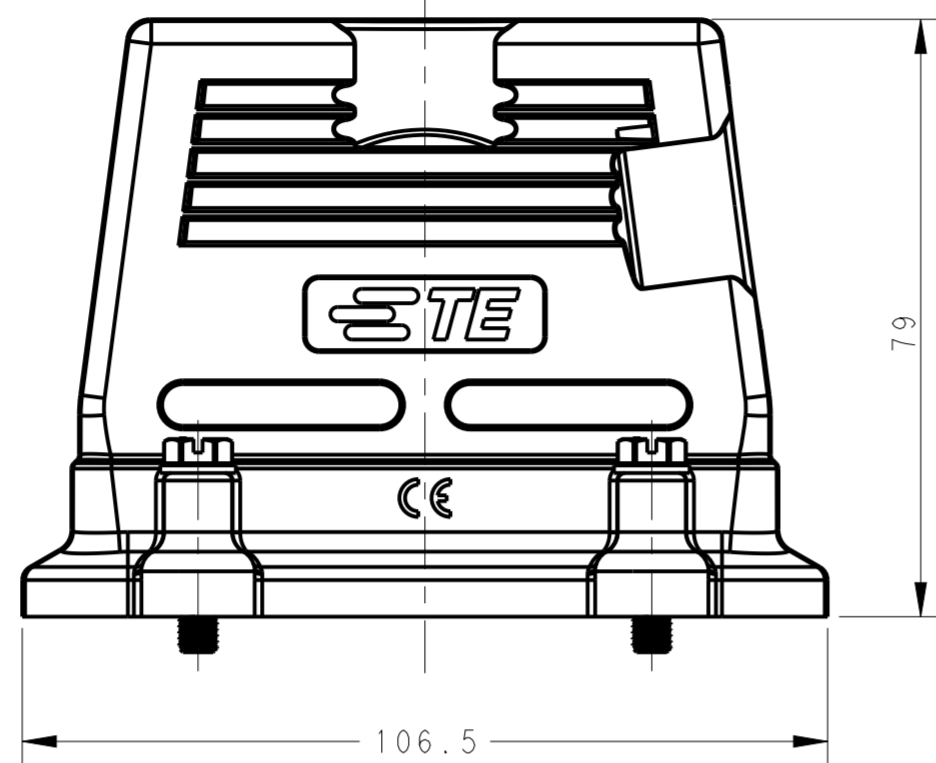
DWN DAVID WANG 19FEB2016	TE Connectivity NAME H16B-TSH/TGH-EMCS-N-PG/M PRODUCT SPEC 108-137015 APPLICATION SPEC 114-137015 WEIGHT - CUSTOMER DRAWING
CHK CHRIS WANG 19FEB2016	
APVD XIANG XU 19FEB2016	
SIZE CAGE CODE DRAWING NO RESTRICTED TO	
DIMENSIONS: mm TOLERANCES UNLESS OTHERWISE SPECIFIED: 0 PLC ± 1 PLC ± 2 PLC ± 3 PLC ± 4 PLC ± ANGLES ± FINISH -	SCALE 1:1 SHEET 1 OF 2 REV B

THIS DRAWING IS UNPUBLISHED. RELEASED FOR PUBLICATION 20  
 © COPYRIGHT 20 BY - ALL RIGHTS RESERVED.

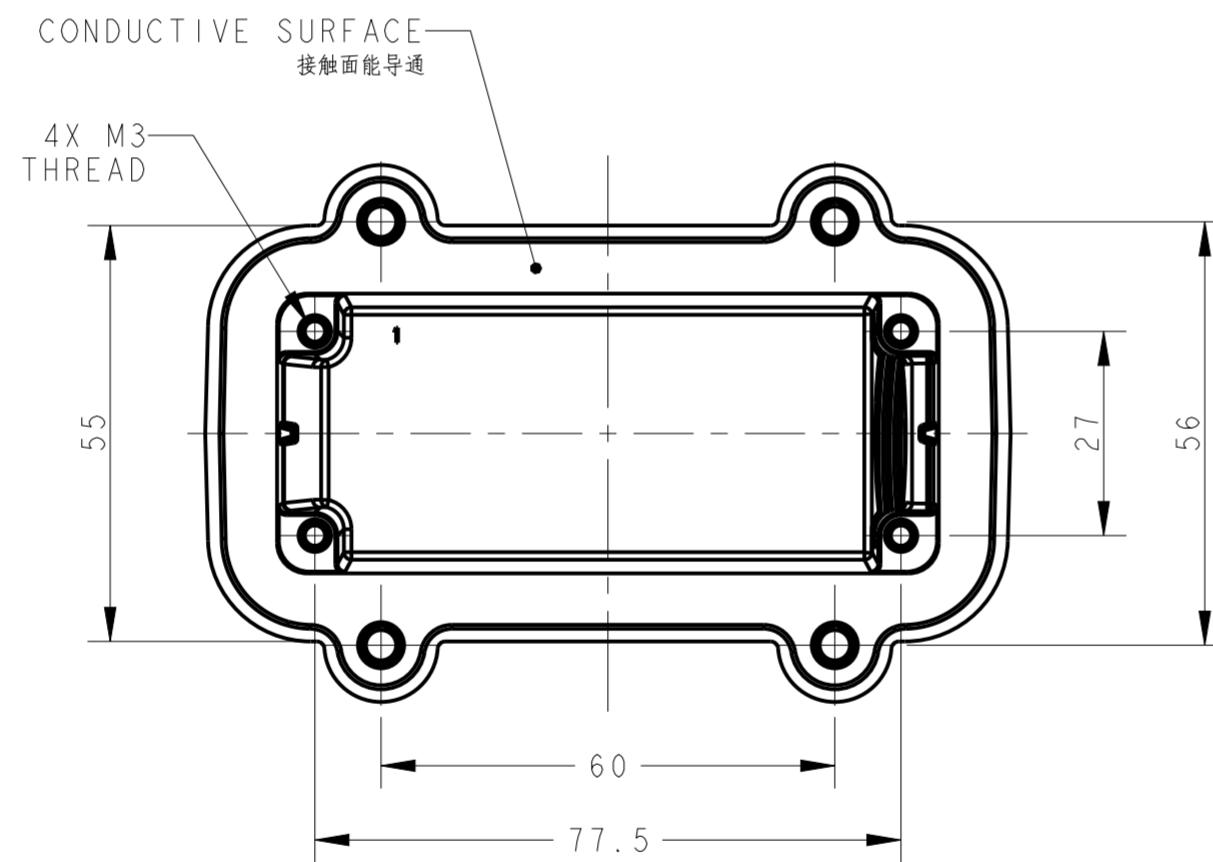
REVISIONS				
P	LTR	DESCRIPTION	DATE	APVD
-	-	SEE SHEET 1	-	-



TYPE 2



NOTES:  
SEE SHEET 1



TYPE 2: HI16B HOOD, SIDE ENTRY, HIGH CONSTRUCTION  
 SCREW CONNECTION, CONTACT SURFACE CONDUCTIVE  
 类型2: HI16B上壳(侧出、高结构、螺丝连接、接触面导通)

THIS DRAWING IS A CONTROLLED DOCUMENT.		DWN 19FEB2016 DAVID WANG	TE Connectivity
DIMENSIONS: mm		CHK 19FEB2016 CHRIS WANG	
TOLERANCES UNLESS OTHERWISE SPECIFIED:		APVD 19FEB2016 XIANG XU	
0 PLC ± 1 PLC ± 2 PLC ± 3 PLC ± 4 PLC ± ANGLES ± FINISH -		PRODUCT SPEC 108-137015 APPLICATION SPEC 114-137015 WEIGHT -	
MATERIAL -		CUSTOMER DRAWING	NAME H16B-TSH/TGH-EMCS-N-PG/M SIZE A2 CAGE CODE 00779 DRAWING NO. C-T11X01651XX001 RESTRICTED TO SCALE 1:1 SHEET 2 OF 2 REV B