

THIS DRAWING IS UNPUBLISHED.

RELEASED FOR PUBLICATION

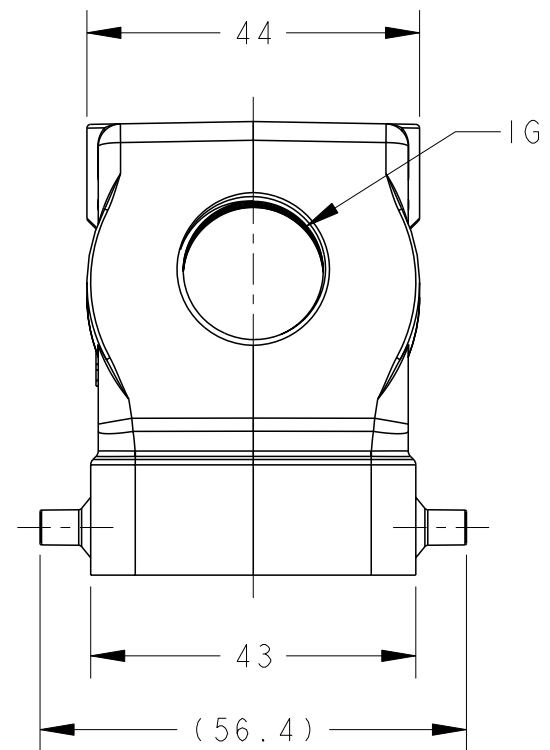
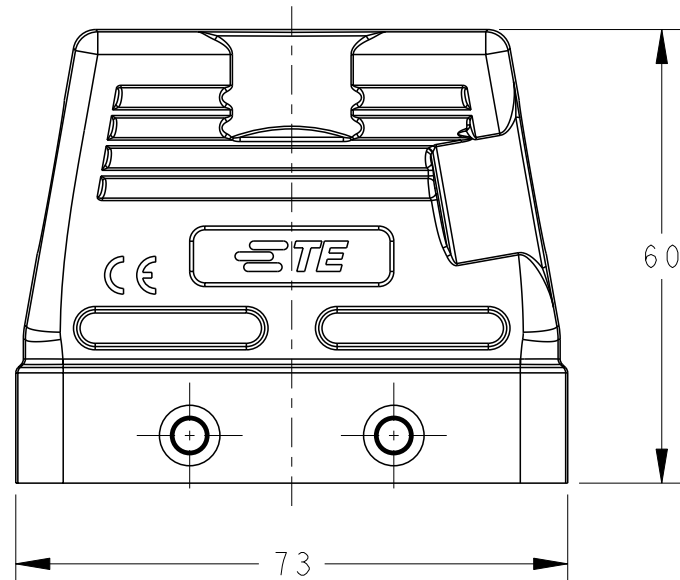
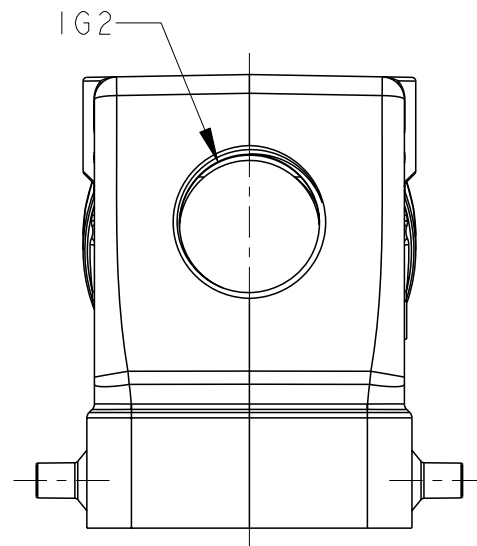
20

© COPYRIGHT 20 BY -

ALL RIGHTS RESERVED.

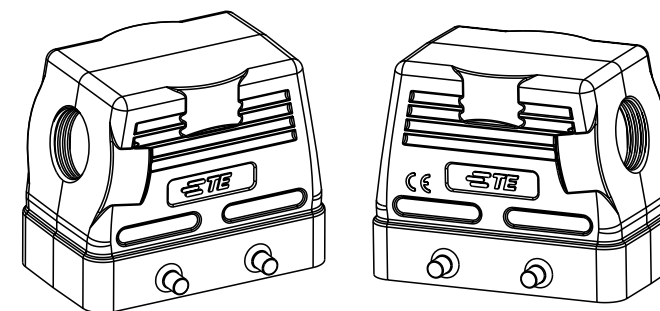
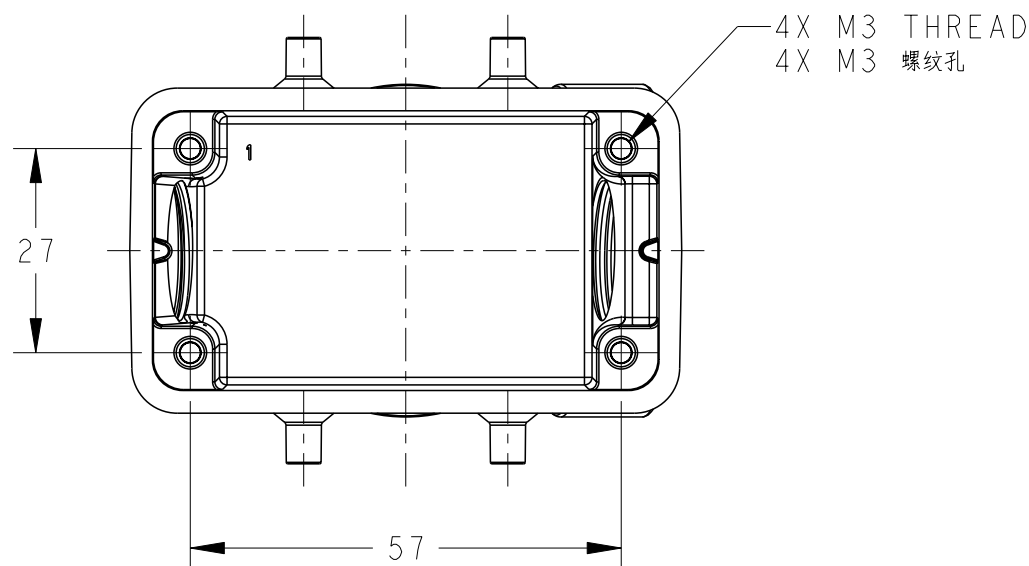
REVISIONS

| P | LTR | DESCRIPTION | DATE | DWN | APVD |
|---|-----|---------------|-----------|-----|------|
| | A | INITIAL | 11JUN2015 | DW | CW |
| | B | ECR-20-008181 | 28JUN2020 | WQR | CW |
| | B1 | ECR-21-103925 | 28MAY2021 | WQR | CW |



NOTES:
 1. TECHNICAL CHARACTERISTICS:
 HOOD MATERIAL: DIE CAST ALUMINIUM ALLOY
 SURFACE: POWDER COATED, GREY
 DEGREE OF PROTECTION: IP65 (MATED)

注释:
 1. 技术参数:
 上壳材料: 铝合金
 表面处理: 粉末涂层, 灰色
 防护等级: IP65(配合)



SCALE 1:2

| | | | |
|-----------------|---------------|------|------|
| T1210100216-000 | H10B-TS-2PG16 | PG16 | PG16 |
| T1210100220-000 | H10B-TS-2M20 | M20 | M20 |
| T1210100225-000 | H10B-TS-2M25 | M25 | M25 |
| PART NUMBER | DESCRIPTION | IG1 | IG2 |

| | | | | |
|---|--|--------------------------------|--------------------------------|--------------------|
| THIS DRAWING IS A CONTROLLED DOCUMENT. | | DWN 11JUN2015 David Wang | STE TE Connectivity | |
| | | CHK 11JUN2015 Chris Wang | | |
| DIMENSIONS: mm | | APVD 11JUN2015 Xiang Xu | NAME H10B-TS-2M/PG | |
| TOLERANCES UNLESS OTHERWISE SPECIFIED: 0 PLC ±- 1 PLC ±- 2 PLC ±- 3 PLC ±- 4 PLC ±- ANGLES ±- | | PRODUCT SPEC 108-137013 | RESTRICTED TO | |
| MATERIAL - | | APPLICATION SPEC 114-137013 | SIZE A3 | CAGE CODE 00779 |
| | | WEIGHT - | DRAWING NO C-T12101002XX000 | |
| | | Customer Drawing | SCALE 1:1 | SHEET 1 OF 1 |
| | | | REV B1 | |

printed on 17 Jun 2021 09:52 (China Standard Time) from TE343646