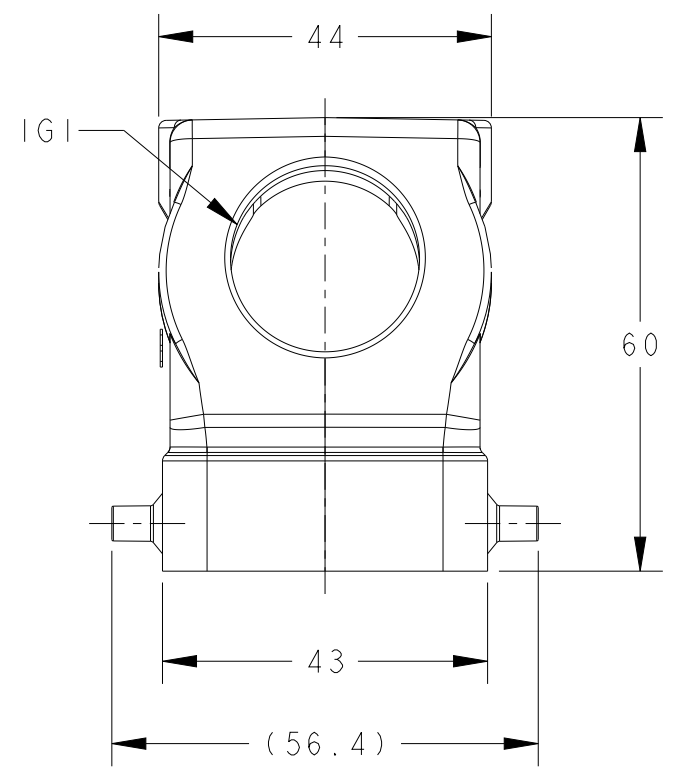
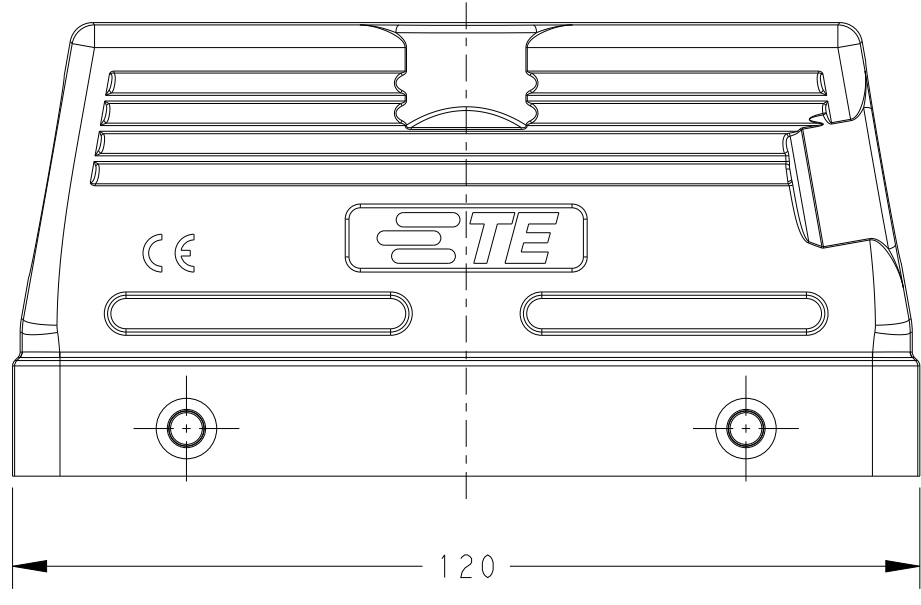
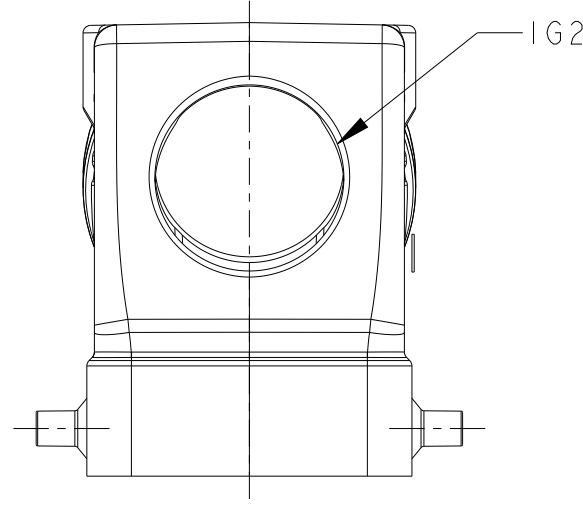


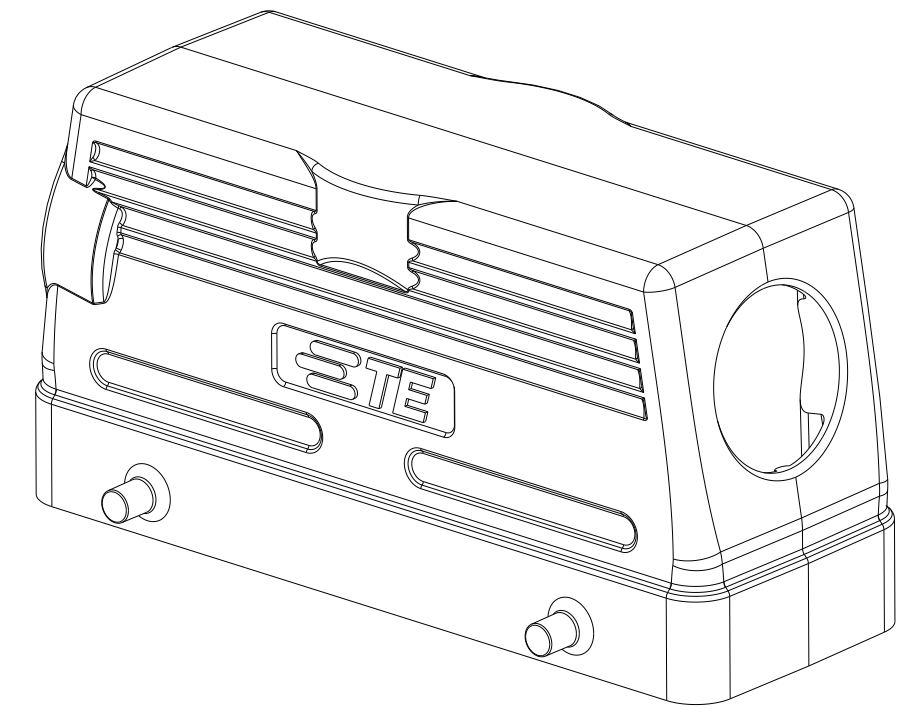
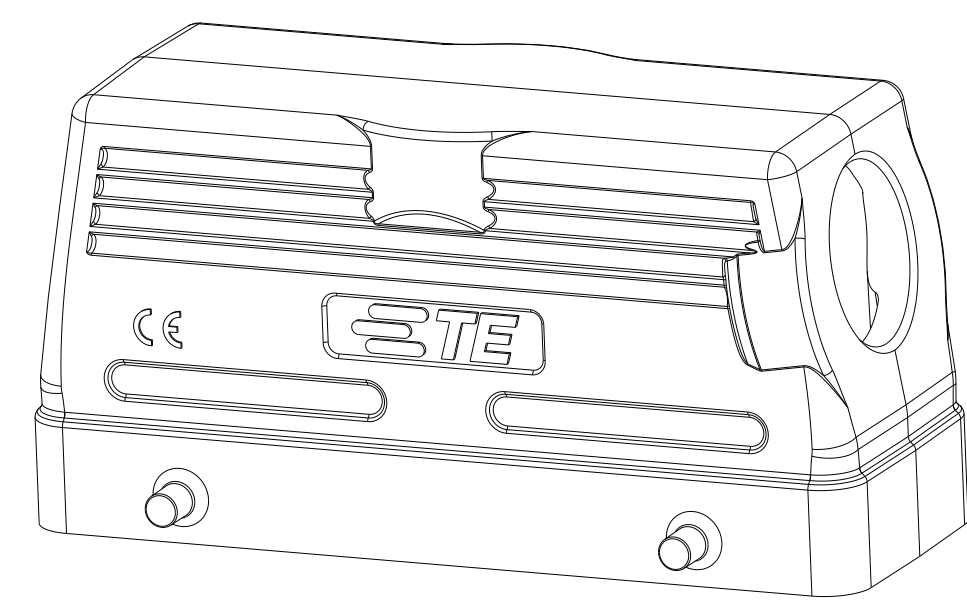
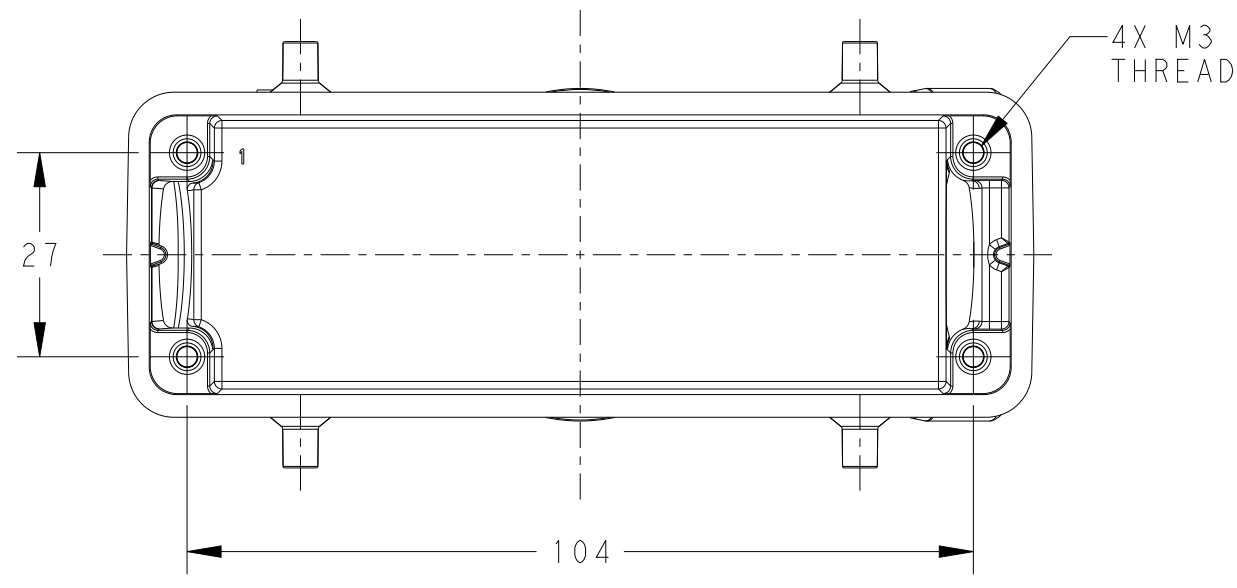
THIS DRAWING IS UNPUBLISHED. RELEASED FOR PUBLICATION 20  
 © COPYRIGHT 20 BY - ALL RIGHTS RESERVED.

REVISIONS				
P	LTR	DESCRIPTION	DATE	APVD
A		INITIAL	03JUN2015	DW CW
B		ECR-20-014876	22OCT2020	WOR CW



NOTES:  
 1. TECHNICAL CHARACTERISTICS:  
 HOOD MATERIAL: DIE CAST ALUMINIUM ALLOY  
 SURFACE: POWDER COATED, GREY  
 DEGREE OF PROTECTION: IP65 (MATED)

注释:  
 1. 技术参数:  
 上壳材料: 铝合金  
 表面处理: 粉末涂层, 灰色  
 防护等级: IP65(配合)



T1210240225-000	H24B-TS-2M25	M25	M25
T1210243216-000	H24B-TS-M32/M16	M32	M16
PART NUMBER	DESCRIPTION	IG1	IG2

THIS DRAWING IS A CONTROLLED DOCUMENT.		DWN 03JUN2015 David Wang	<b>STE</b> TE Connectivity	
		CHK 03JUN2015 Chris Wang		
DIMENSIONS: mm		APVD 03JUN2015 Xiang Xu	NAME H24B-TS-2M	
TOLERANCES UNLESS OTHERWISE SPECIFIED:		PRODUCT SPEC 108-137013	SIZE CAGE CODE DRAWING NO RESTRICTED TO	
0 PLC ±		APPLICATION SPEC 114-137013	A200779 C-T121024XXXX000	
1 PLC ±		WEIGHT	SCALE 1:1 SHEET 1 OF 1 REV B	
2 PLC ±				
3 PLC ±				
4 PLC ±				
ANGLES ±				
FINISH				
MATERIAL				