

REVISIONS

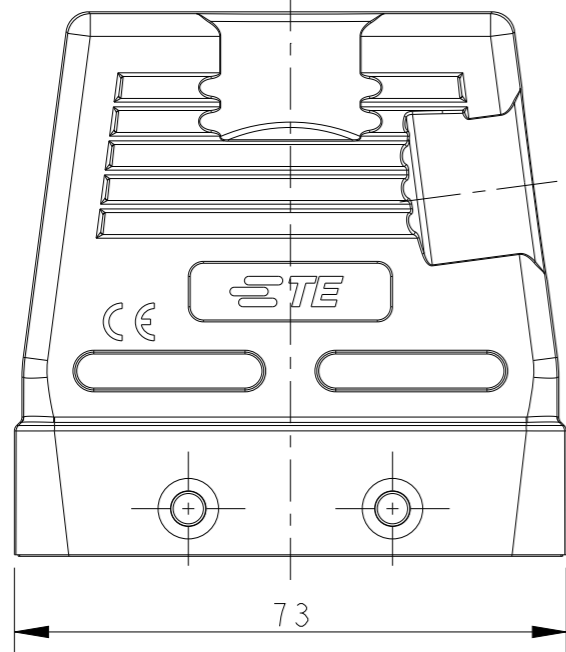
P	LTR	DESCRIPTION	DATE	DWN	APVD
	A	INITIAL	26FEB2016	RL	CW
	B	ECR-20-014388	22DEC2020	WQR	CW
	B1	ECR-21-103925	11JUN2021	WQR	CW

NOTES:

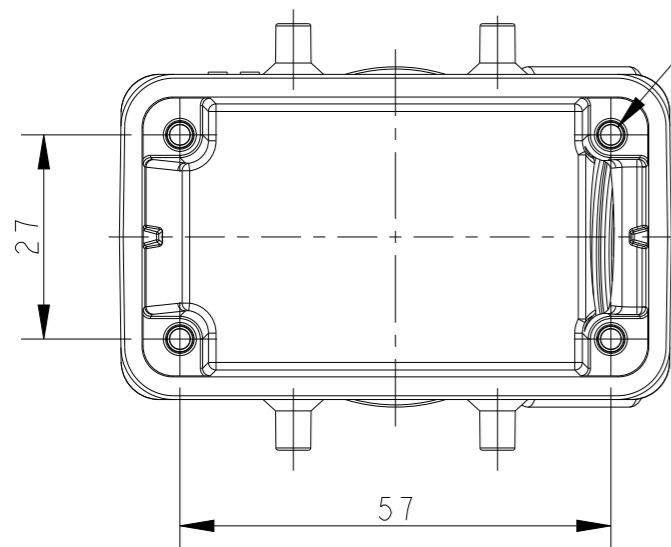
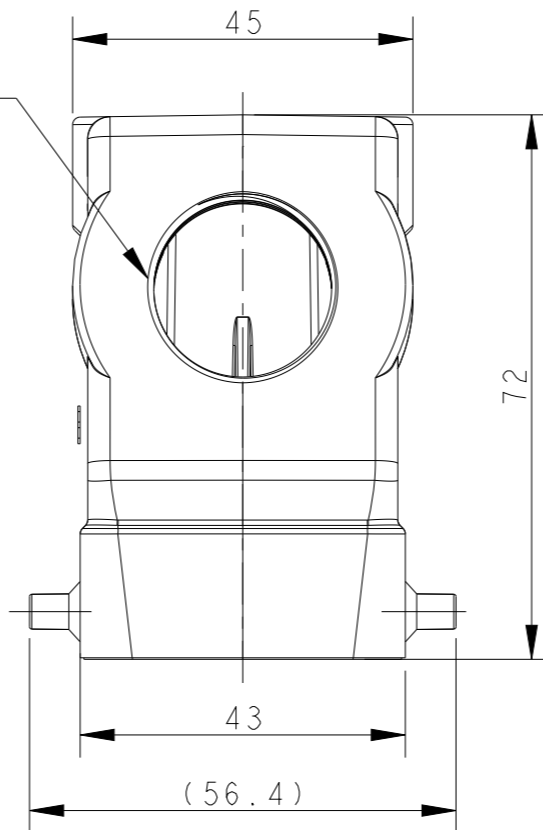
- 1. TECHNICAL CHARACTERISTICS:
HOOD MATERIAL: DIE CAST ALUMINIUM ALLOY
SURFACE: CONDUCTIVE PAINTING
DEGREE OF PROTECTION: IP65 (MATED)

注释:

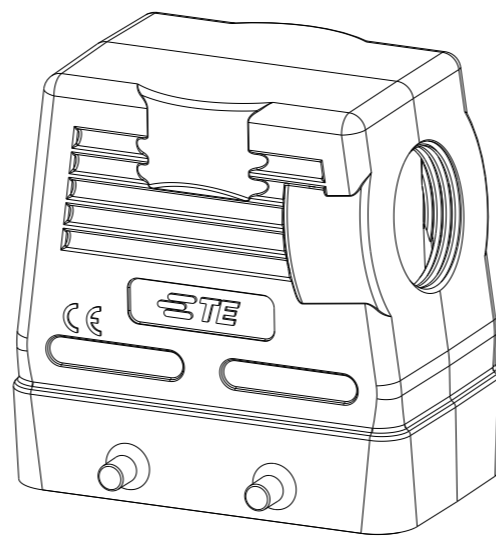
- 1. 技术参数:
上壳材料: 铝合金
表面处理: 喷导电漆
防护等级: IP65(配合)



PG/M THREAD
PG/M 螺纹孔



4-M3
THREAD



SCALE 4:5

T1230105116-000	H10B-TSH-EMC-PG16 H10B带屏蔽上壳(侧出PG16、4耳、高结构)	PG16
T1230105121-000	H10B-TSH-EMC-PG21 H10B带屏蔽上壳(侧出PG21、4耳、高结构)	PG21
T1230105129-000	H10B-TSH-EMC-PG29 H10B带屏蔽上壳(侧出PG29、4耳、高结构)	PG29
T1230105120-000	H10B-TSH-EMC-M20 H10B带屏蔽上壳(侧出M20、4耳、高结构)	M20
T1230105125-000	H10B-TSH-EMC-M25 H10B带屏蔽上壳(侧出M25、4耳、高结构)	M25
T1230105132-000	H10B-TSH-EMC-M32 H10B带屏蔽上壳(侧出M32、4耳、高结构)	M32
T1230105140-000	H10B-TSH-EMC-M40 H10B带屏蔽上壳(侧出M40、4耳、高结构)	M40
ASSEMBLY PART NUMBER 成品料号	ASSEMBLY PART DESCRIPTION 成品描述	PG/M THREAD PG/M 螺纹孔

THIS DRAWING IS A CONTROLLED DOCUMENT.

DIMENSIONS:	TOLERANCES UNLESS OTHERWISE SPECIFIED:
mm	
	0 PLC ±-
	1 PLC ±-
	2 PLC ±-
	3 PLC ±-
	4 PLC ±-
	ANGLES ±-
MATERIAL	FINISH
-	-
-	-

DWN	26FEB2016
ROY LIU	
CHK	26FEB2016
KYLE ZENG	
APVD	26FEB2016
CHRIS WANG	
PRODUCT SPEC	108-137016
APPLICATION SPEC	114-137016
WEIGHT	-
CUSTOMER DRAWING	

		TE Connectivity	
		NAME H10B-TSH-EMC-PG/M	
SIZE	CAGE CODE	DRAWING NO	RESTRICTED TO
A3	00779	©-T12301051XX000	
SCALE		SHEET	REV
1:1		1 OF 1	B1