

4

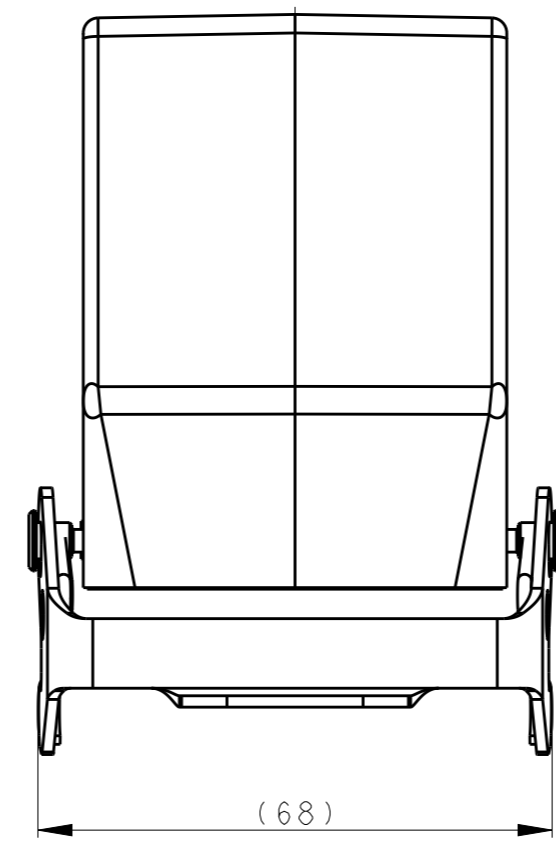
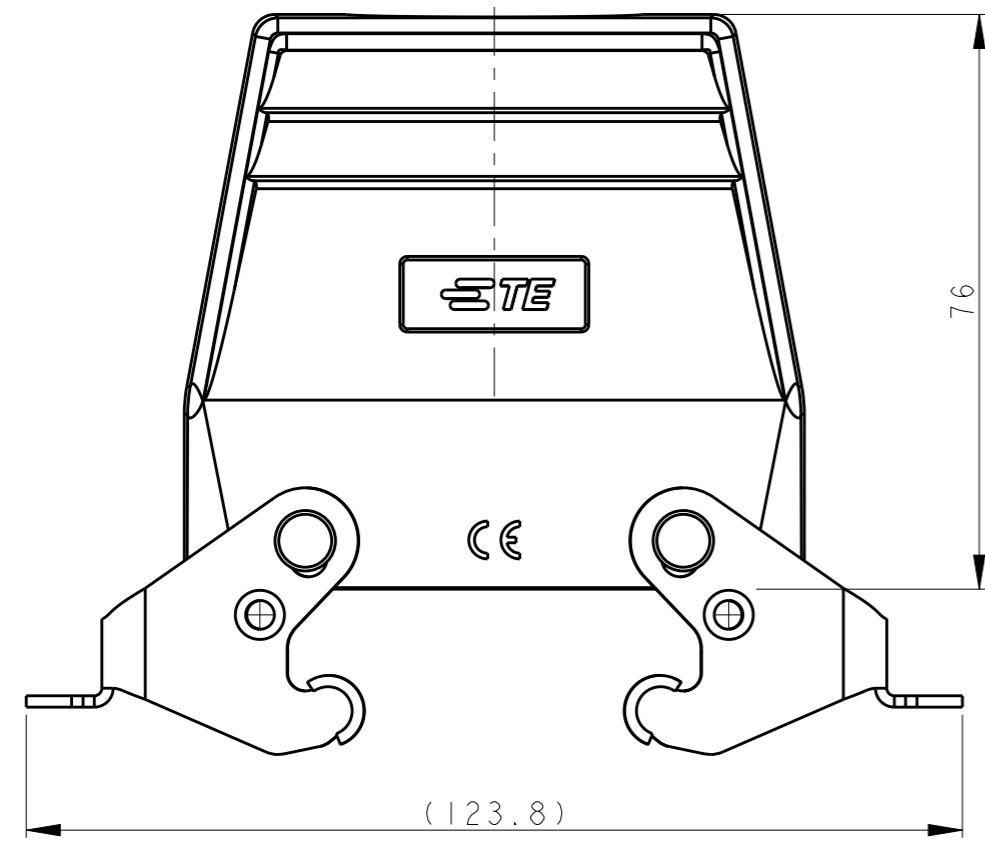
3

2

1

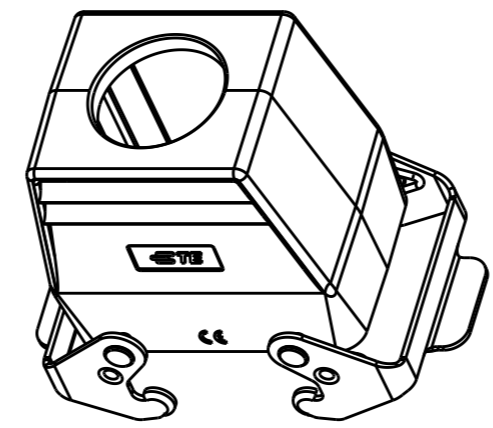
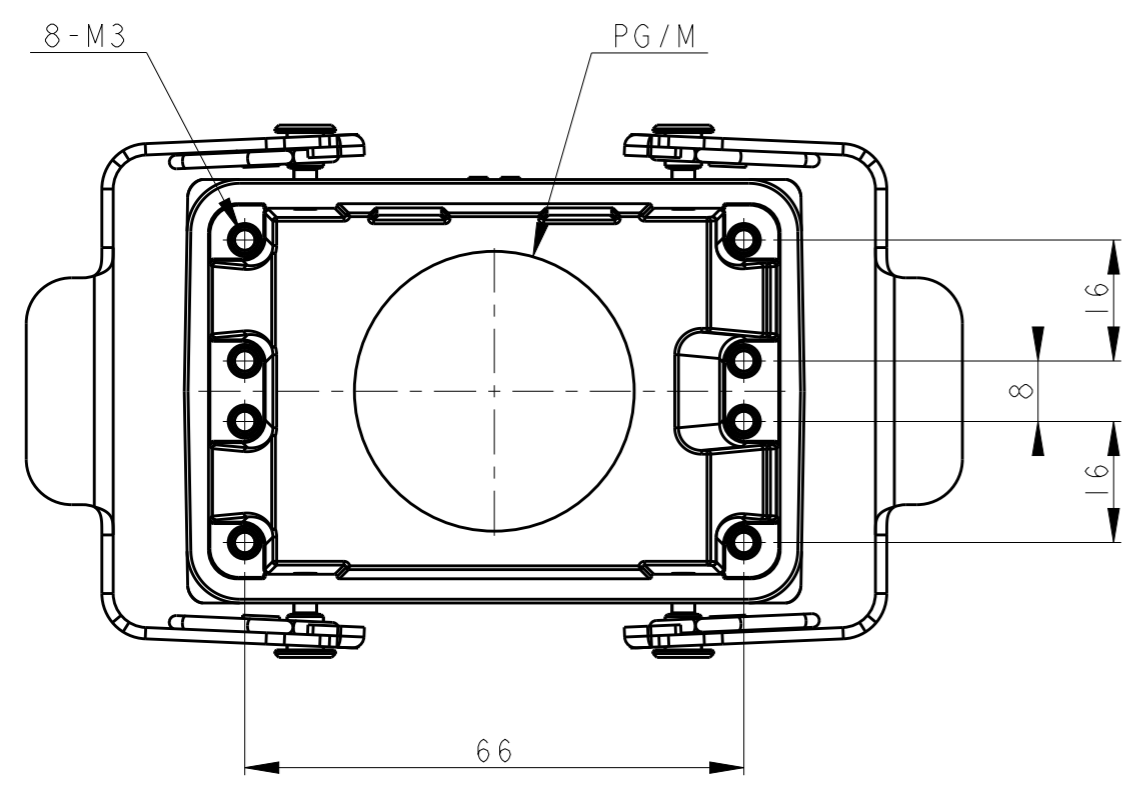
THIS DRAWING IS UNPUBLISHED. RELEASED FOR PUBLICATION 20
 © COPYRIGHT 20 BY - ALL RIGHTS RESERVED.

REVISIONS					
P	LTR	DESCRIPTION	DATE	DWN	APVD
	A	INITIAL RELEASE	21APR2015	DL	CW
	B	ECR-20-010477	28DEC2020	BS	CW




NOTES:
 1. TECHNICAL CHARACTERISTICS:
 BODY MATERIAL: DIE CAST ALUMINIUM ALLOY
 SURFACE TREATMENT: POWDER-COATED, GRAY
 DEGREE OF PROTECTION: IP65 (MATED)

注释:
 1. 技术参数:
 主体材料: 铝合金
 表面处理: 粉末喷涂, 灰色
 防护等级: IP65(配合)



SCALE 1:2

T1269320129-000	H32A-TGB-PG29	PG29
ASSEMBLY PART NUMBER	ASSEMBLY PART DESCRIPTION	PG/M

THIS DRAWING IS A CONTROLLED DOCUMENT.		DWN DAVID LI 21APR2015	 TE Connectivity NAME H32A-TGB-PG29					
DIMENSIONS: mm		CHK CHRIS WANG 21APR2015						
TOLERANCES UNLESS OTHERWISE SPECIFIED:		APVD XU XIANG 21APR2015						
0 PLC ±- 1 PLC ±- 2 PLC ±- 3 PLC ±- 4 PLC ±- ANGLES ±-		PRODUCT SPEC 108-137010						
MATERIAL		APPLICATION SPEC 114-137010	SIZE A3	CAGE CODE -	DRAWING NO C-T1269320129000	RESTRICTED TO -		
FINISH		WEIGHT -	CUSTOMER DRAWING		SCALE 1:1	SHEET 1	OF 1	REV B