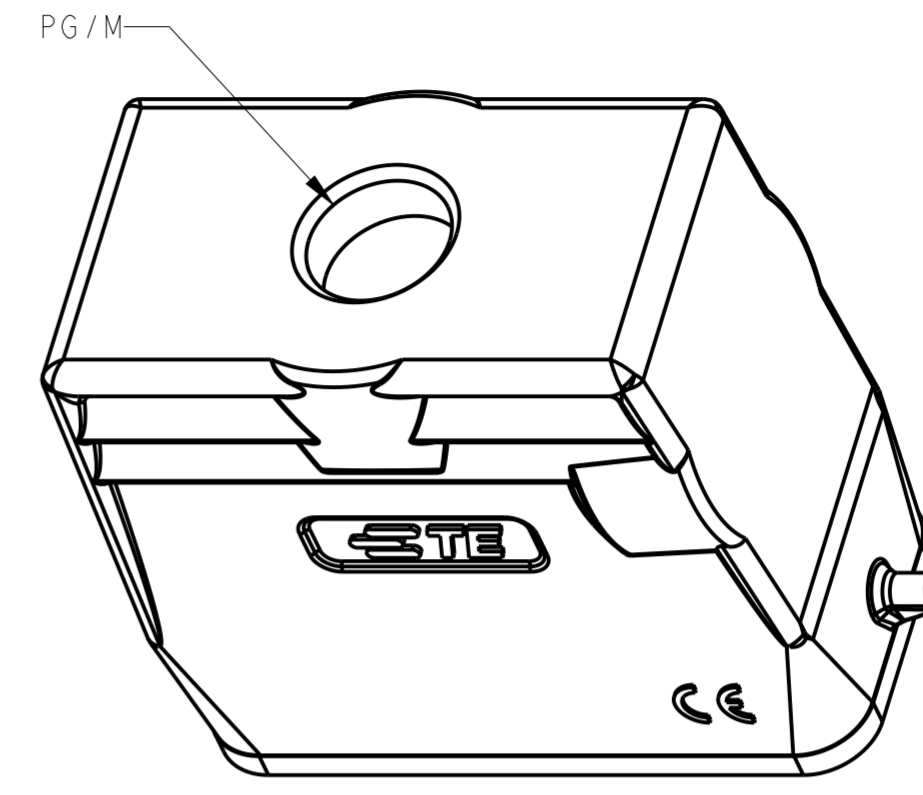
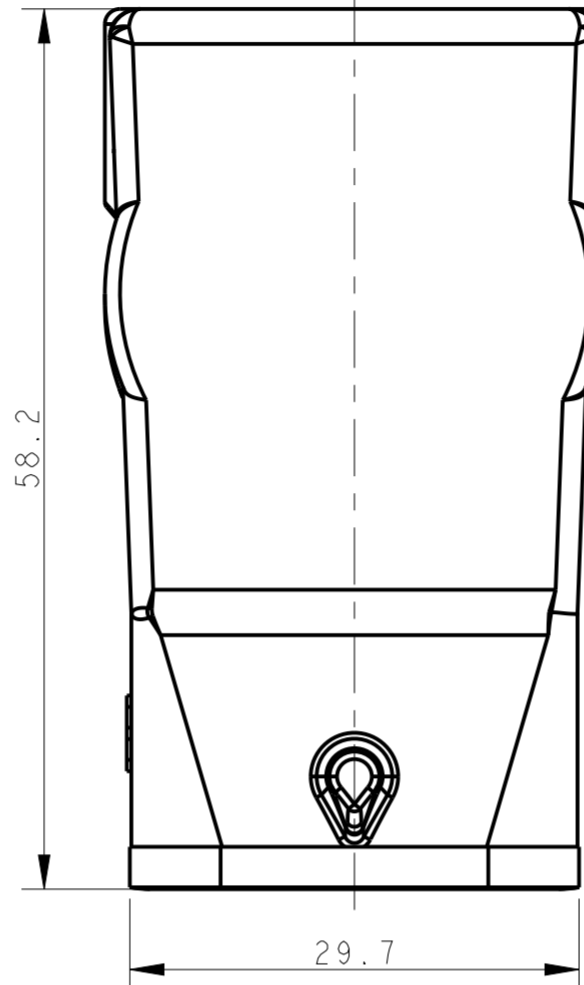
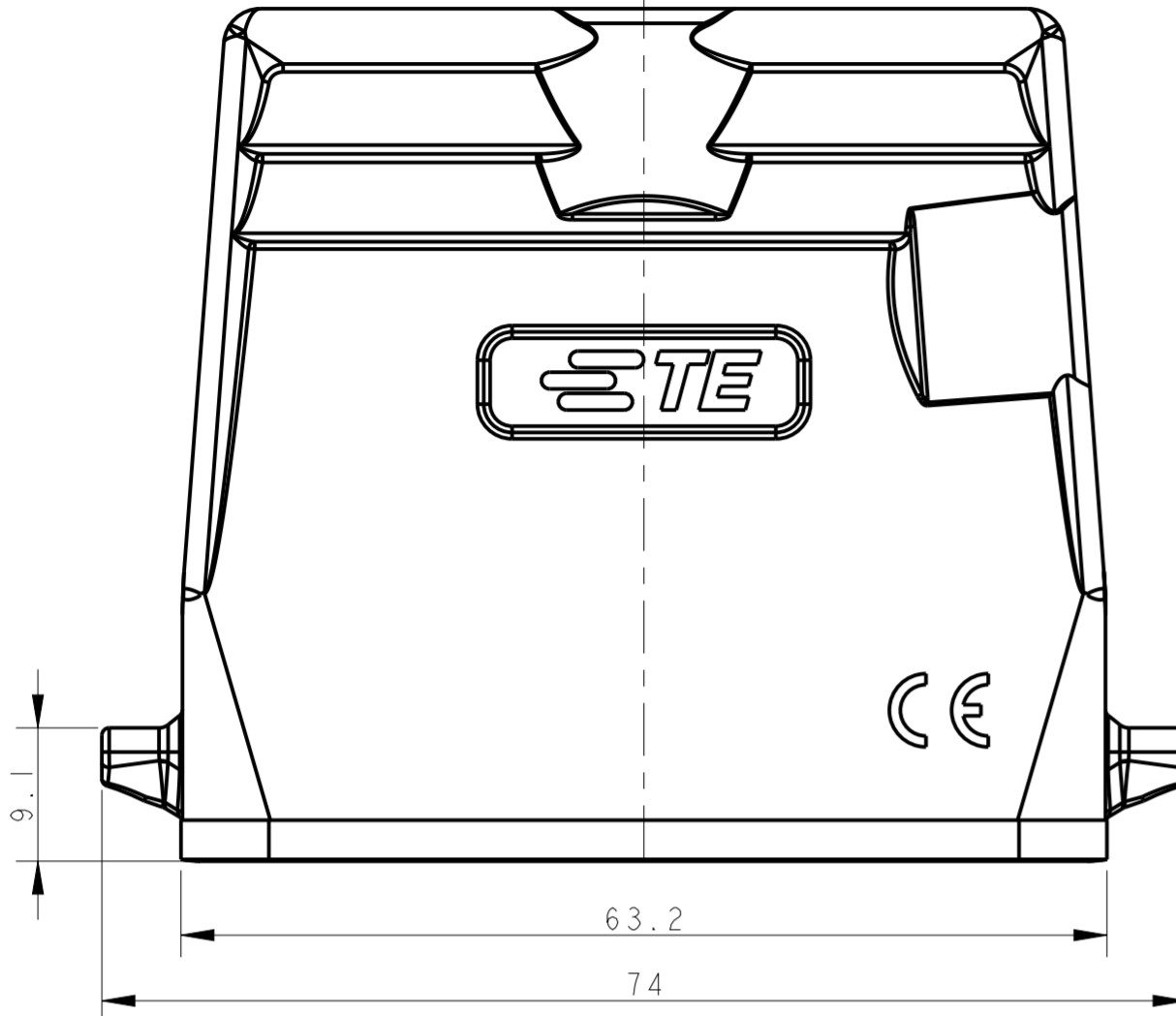


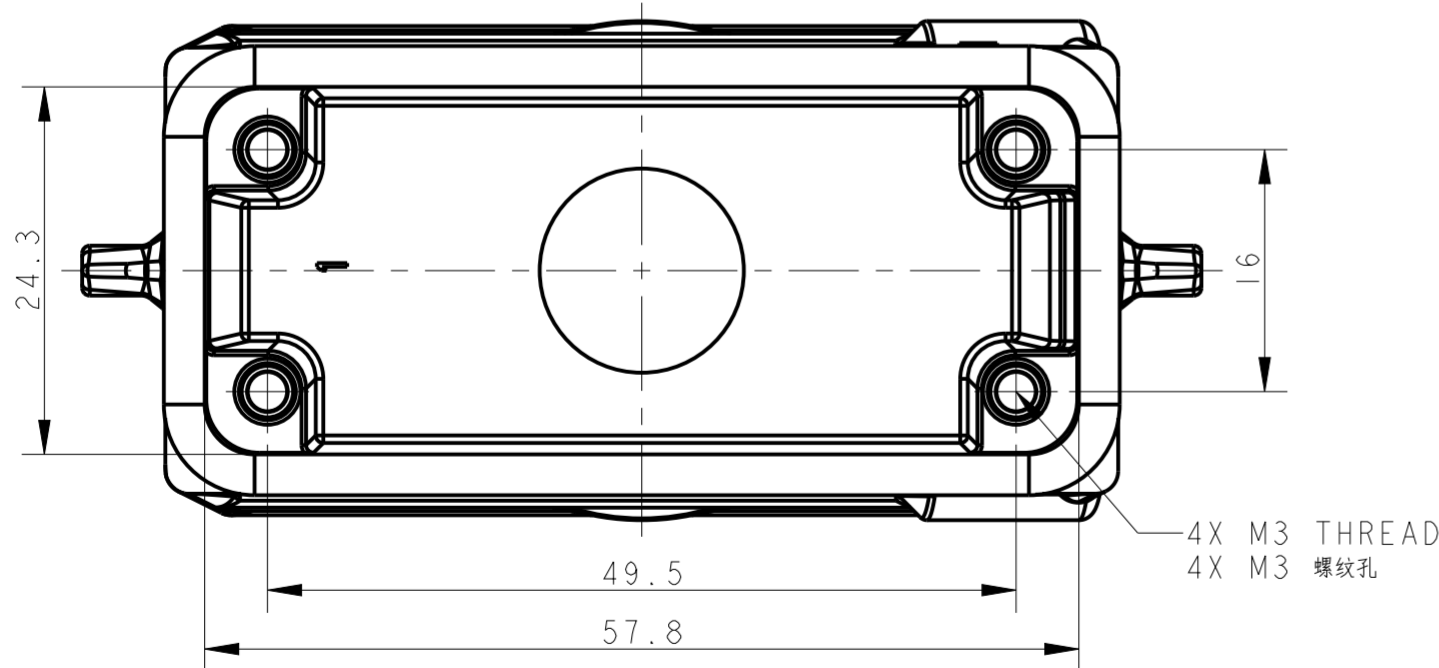
THIS DRAWING IS UNPUBLISHED. RELEASED FOR PUBLICATION 20
 © COPYRIGHT 20 BY - ALL RIGHTS RESERVED.

REVISIONS				
P	LTR	DESCRIPTION	DATE	APVD
A		INITIAL RELEASE	05MAY2015	DL XX
AI		ECR-18-008950	10AUG2018	KW CW
B		C-TI32910X1XXX00	14DEC2020	BS CW



NOTES:
 1. TECHNICAL CHARACTERISTICS:
 BODY MATERIAL: DIE CAST ALUMINIUM ALLOY
 SURFACE TREATMENT: POWDER-COATED, GRAY
 DEGREE OF PROTECTION: IP65 (MATED)

注释:
 1. 技术参数:
 主体材料: 铝合金
 表面处理: 粉末喷涂, 灰色
 防护等级: IP65(配合)



T1329100113-000	H10A-TG-PG13.5	H10A HOOD, TOP ENTRY PG13.5, 2 EAR, POWDER COATED, GREY H10A上壳, 顶出PG13.5, 2耳, 灰色粉末喷涂	PG13.5
T1329100116-000	H10A-TG-PG16	H10A HOOD, TOP ENTRY PG16, 2 EAR, POWDER COATED, GREY H10A上壳, 顶出PG16, 2耳, 灰色粉末喷涂	PG16
T1329100116-100	H10A-TG-M16	H10A HOOD, TOP ENTRY M16, 2 EAR, POWDER COATED, GREY H10A上壳, 顶出M16, 2耳, 灰色粉末喷涂	M16
T1329100120-000	H10A-TG-M20	H10A HOOD, TOP ENTRY M20, 2 EAR, POWDER COATED, GREY H10A上壳, 顶出M20, 2耳, 灰色粉末喷涂	M20
T1329100121-000	H10A-TG-PG21	H10A HOOD, TOP ENTRY PG21, 2 EAR, POWDER COATED, GREY H10A上壳, 顶出PG21, 2耳, 灰色粉末喷涂	PG21
T1329100125-000	H10A-TG-M25	H10A HOOD, TOP ENTRY M25, 2 EAR, POWDER COATED, GREY H10A上壳, 顶出M25, 2耳, 灰色粉末喷涂	M25
T1329107112-000	H10A-TG-NPT1/2	H10A HOOD, TOP ENTRY NPT1/2, 2 EAR, POWDER COATED, GREY H10A上壳, 顶出NPT1/2, 2耳, 灰色粉末喷涂	NPT1/2
PART NUMBER 料号	PART DESCRIPTION 描述		PG/M THREAD PG/M 螺纹

THIS DRAWING IS A CONTROLLED DOCUMENT.		DWN DAVID LI 05MAY2015	STE TE Connectivity	
		CHK CHRIS WANG 05MAY2015		
		APVD XU XIANG 05MAY2015	NAME H10A-TG-PG/M	
DIMENSIONS: mm		PRODUCT SPEC 108-137010	SIZE A2	
TOLERANCES UNLESS OTHERWISE SPECIFIED:		APPLICATION SPEC 114-137010	CAGE CODE -	
0 PLC ±		WEIGHT -	DRAWING NO. C-TI32910X1XXX00	
1 PLC ±		RESTRICTED TO		
2 PLC ±		SCALE 2:1		
3 PLC ±		SHEET 1 OF 1		
4 PLC ±		REV B		
ANGLES ±		CUSTOMER DRAWING		
FINISH -				