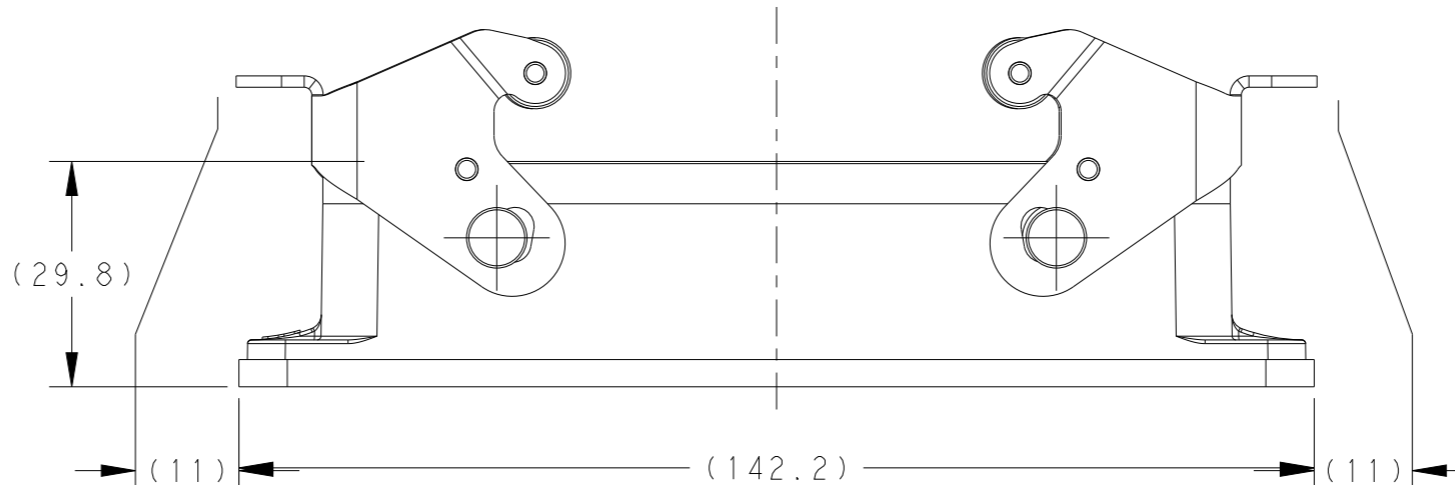
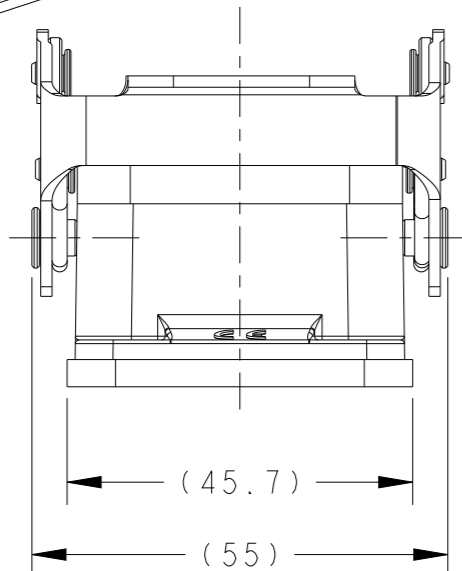
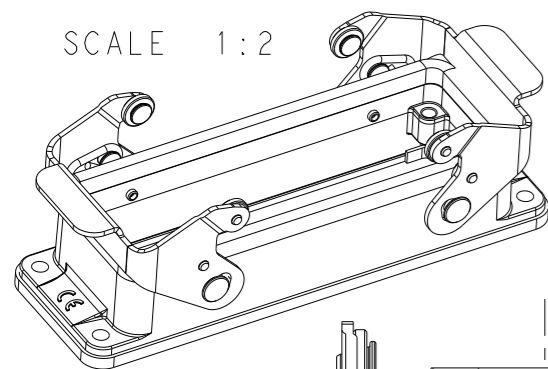


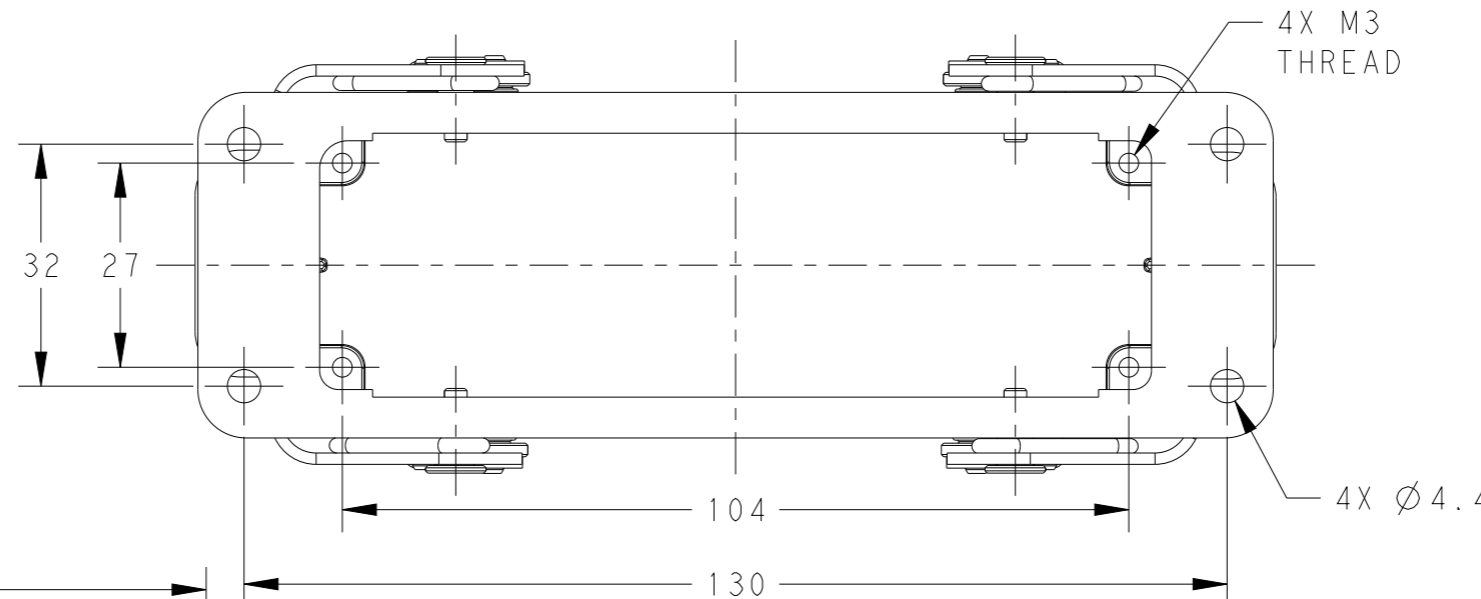
P	LTR	DESCRIPTION	DATE	DWN	APVD
	A	INITIAL	15DEC2015	DW	CW
	A1	ECR-15-018472	21DEC2015	DW	CW
	B	ECR-20-014876	04JUN2021	WQR	CW

SCALE 1:2

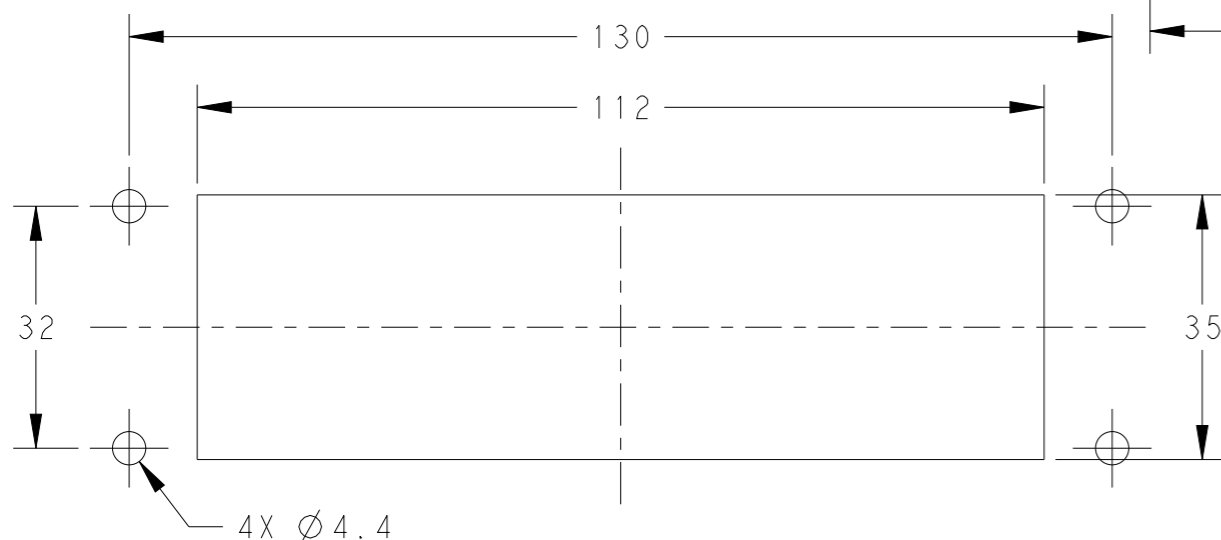


NOTES:
 1. TECHNICAL CHARACTERISTICS:
 HOUSING MATERIAL:
 DIE CAST ALUMINIUM ALLOY
 SURFACE: POWDER COATED, GREY
 DEGREE OF PROTECTION:
 IP65 (MATED)

注释:
 1. 技术参数:
 下壳材料: 铝合金
 表面处理: 粉末涂层, 灰色
 防护等级: IP65 (配合)



PANEL CUT OUT



H24B-AGS	T1410241000-001
DESCRIPTION	PART NUMBER



THIS DRAWING IS A CONTROLLED DOCUMENT.		DWN	15DEC2015	NAME	H24B-AGS		
DIMENSIONS:		CHK	15DEC2015				
mm		APVD	15DEC2015				
TOLERANCES UNLESS OTHERWISE SPECIFIED:		PRODUCT SPEC	108-137013				
0 PLC ±-		APPLICATION SPEC	114-137013	SIZE	CAGE CODE	DRAWING NO	RESTRICTED TO
1 PLC ±-		MATERIAL	-	A3	00779	©-T1410241000001	-
2 PLC ±-				SCALE 1:1			SHEET 1 OF 1
3 PLC ±-				Customer Drawing			REV B
4 PLC ±-							
ANGLES ±-							
FINISH							