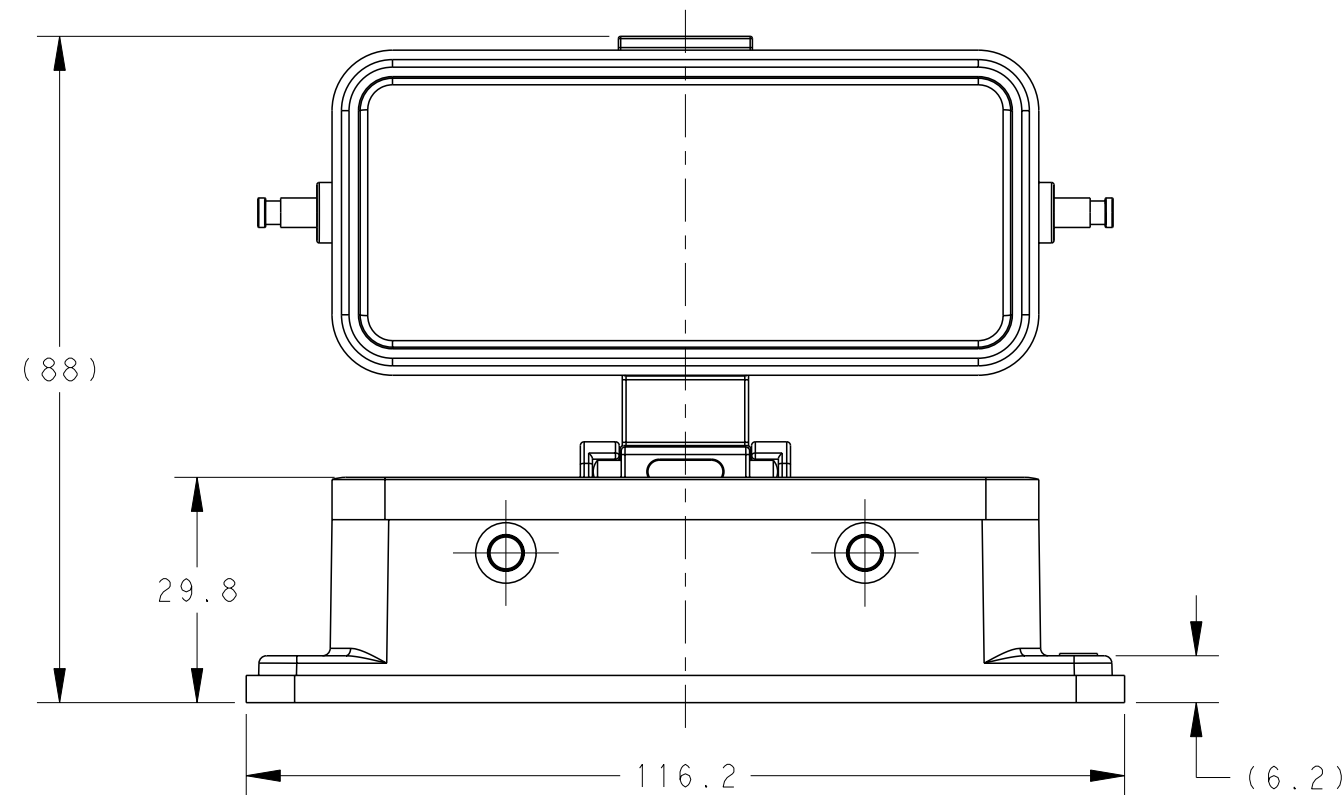
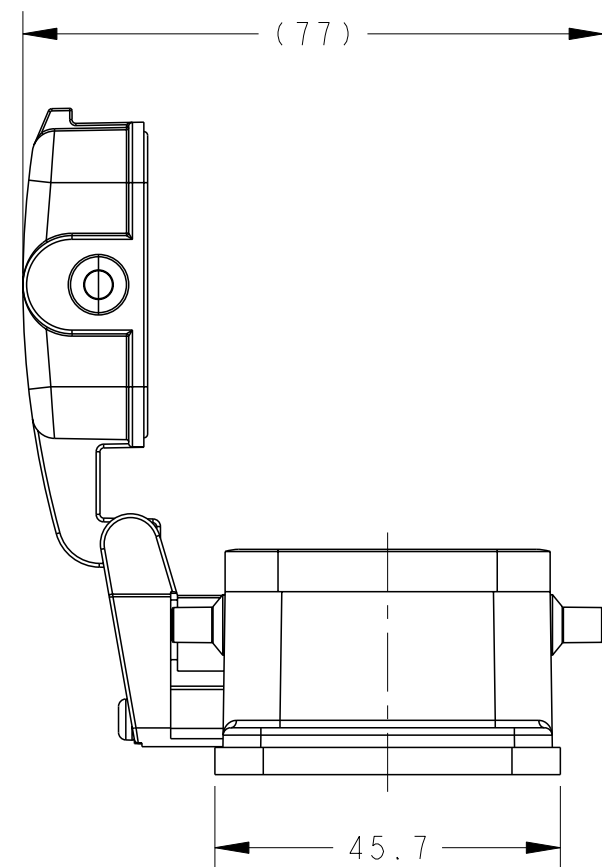


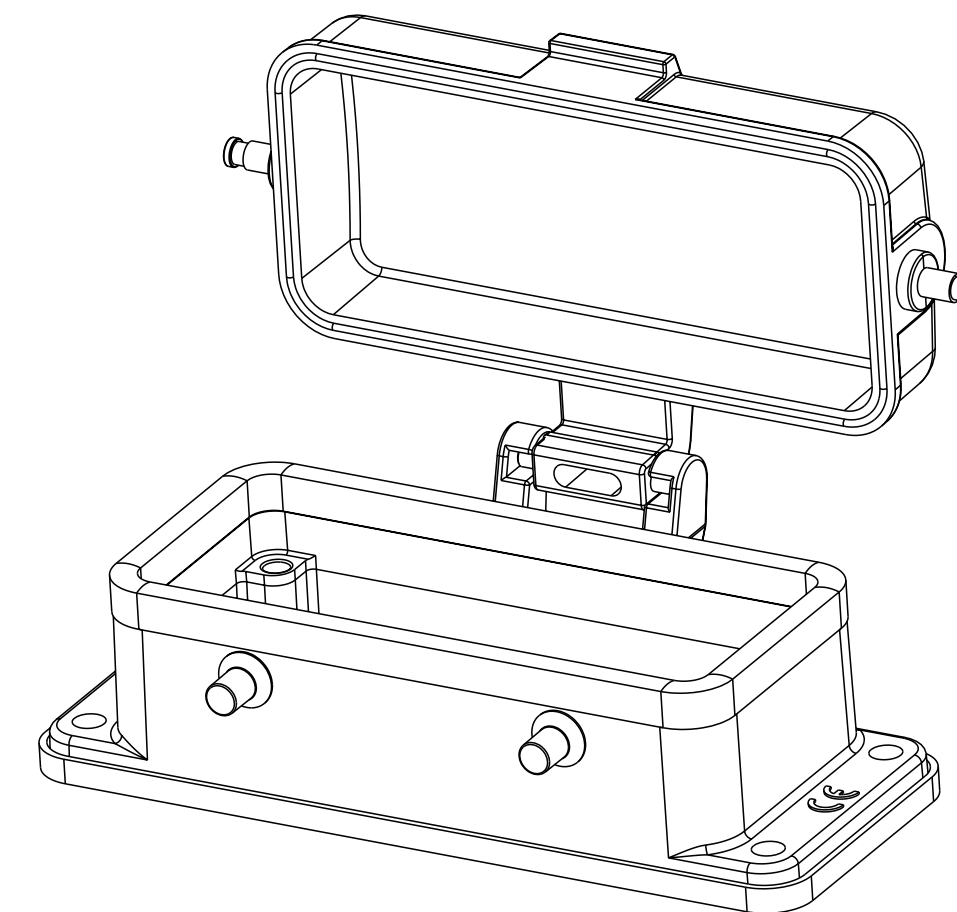
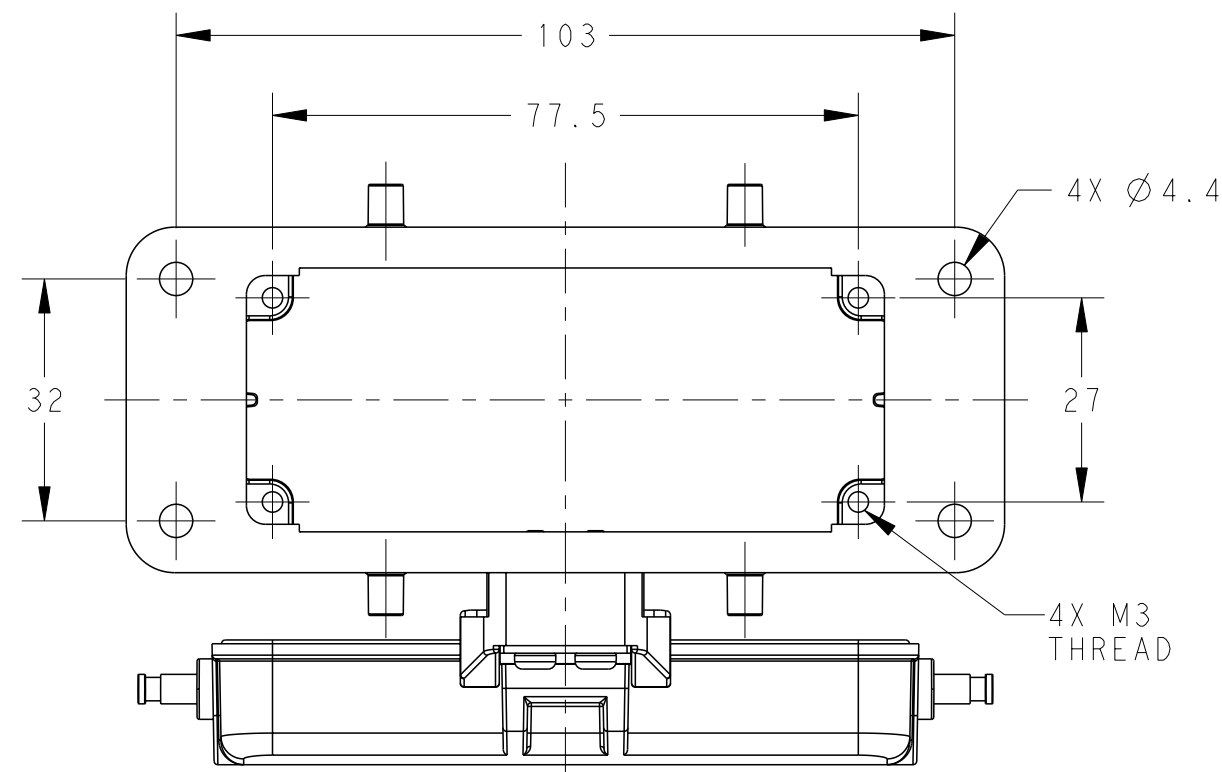
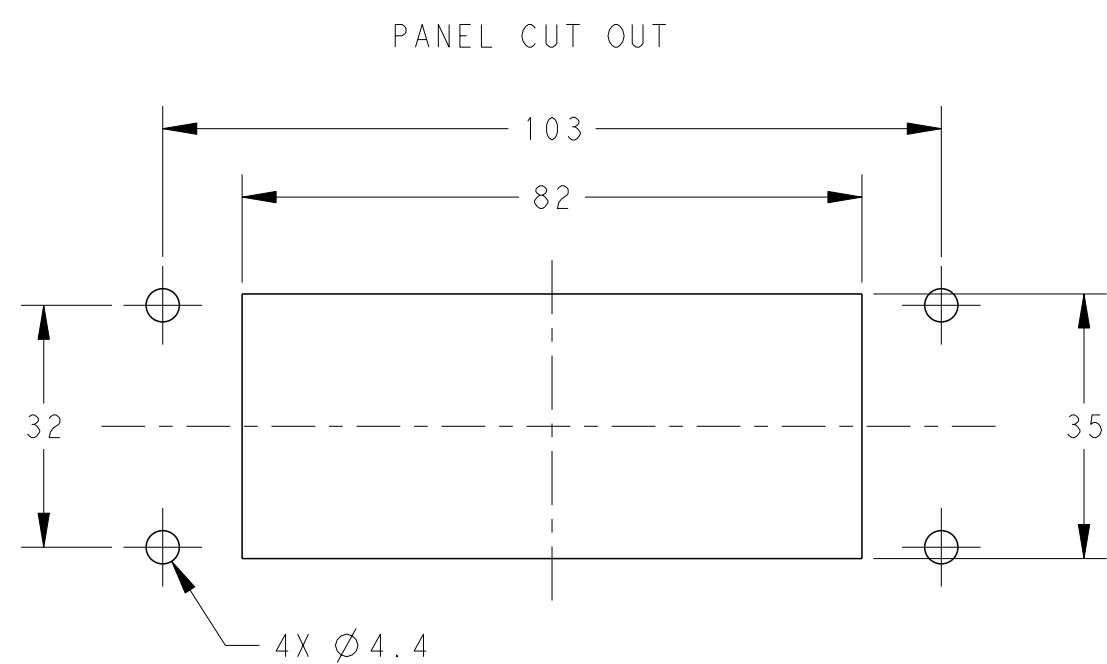
THIS DRAWING IS UNPUBLISHED. RELEASED FOR PUBLICATION 20
 © COPYRIGHT 20 BY - ALL RIGHTS RESERVED.

REVISIONS					
P	LTR	DESCRIPTION	DATE	DWN	APVD
A		INITIAL	18JUN2015	DW	CW
B		ECR-20-008190	07SEP2020	WQR	CW



NOTES:
 1. TECHNICAL CHARACTERISTICS:
 HOUSING MATERIAL: DIE CAST ALUMINIUM ALLOY
 SURFACE: POWDER COATED, GREY
 DEGREE OF PROTECTION: IP65 (MATED)

注释:
 1. 技术参数:
 下壳材料: 铝合金
 表面处理: 粉末涂层, 灰色
 防护等级: IP65(配合)



T1433160000-000	H16B-ADM-BO	RED
T1430161000-000	H16B-ADM-BO	GREY
PART NUMBER	DESCRIPTION	COLOR

THIS DRAWING IS A CONTROLLED DOCUMENT.		DWN 05JUN2015 David Wang		TE Connectivity	
DIMENSIONS: mm		CHK 05JUN2015 Chris Wang		NAME H16B-ADM-BO	
TOLERANCES UNLESS OTHERWISE SPECIFIED:		APVD 05JUN2015 Xiang Xu		PRODUCT SPEC 108-137013	
0 PLC ±		APPLIC. SPEC 114-137013		SIZE A200779	
1 PLC ±		WEIGHT -		CAGE CODE C-T143X16X000000	
2 PLC ±		Customer Drawing		DRAWING NO. 108-137013	
3 PLC ±		SCALE 1:1		SHEET 1 OF 1	
4 PLC ±		RESTRICTED TO -		REV B	
ANGLES ±					
FINISH -					