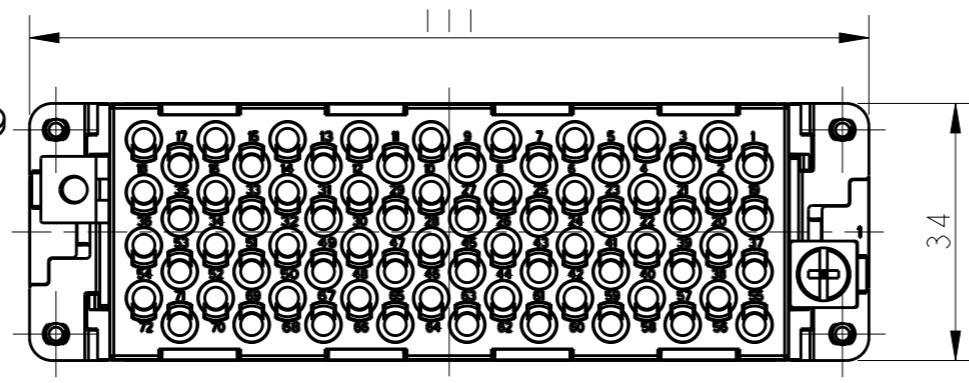
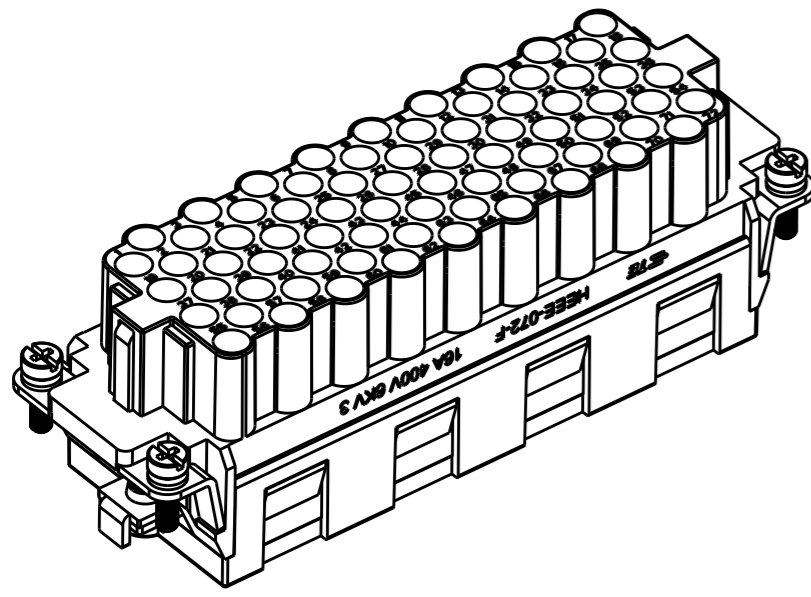
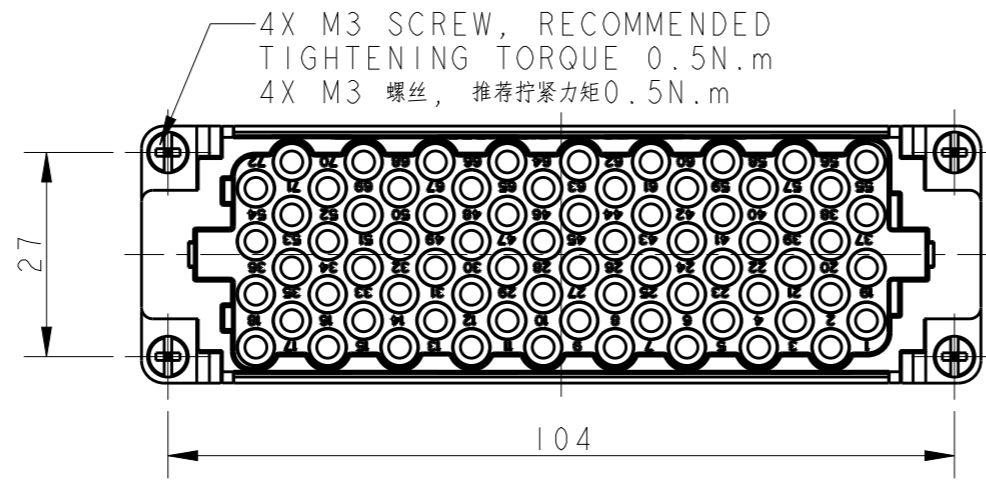
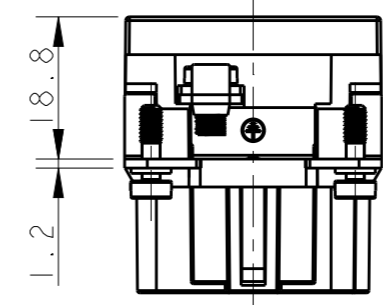
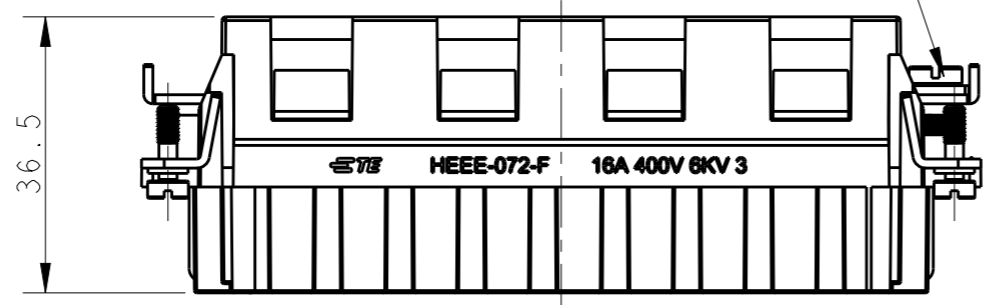


THIS DRAWING IS UNPUBLISHED. RELEASED FOR PUBLICATION 20
 © COPYRIGHT 20 BY - ALL RIGHTS RESERVED.

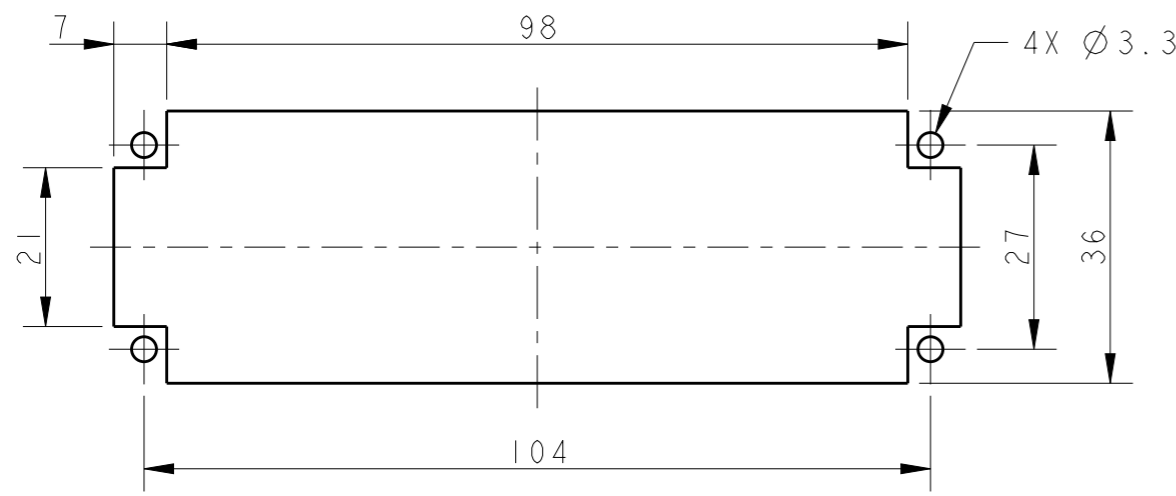
REVISIONS					
P	LTR	DESCRIPTION	DATE	DWN	APVD
	A	INITIAL RELEASE	30AUG2017	YC	CW



M4 SCREW, RECOMMENDED
 TIGHTENING TORQUE 1.2N.m
 M4 螺丝, 推荐拧紧力矩1.2N.m



4X M3 SCREW, RECOMMENDED
 TIGHTENING TORQUE 0.5N.m
 4X M3 螺丝, 推荐拧紧力矩0.5N.m




PANEL CUT FOR INSERTS FOR USE
 WITHOUT HOODS/ HOUSINGS
 不使用防护外壳时芯件安装平面开孔图

- NOTES:
- TECHNICAL CHARACTERISTICS:
 INSULATION MATERIAL: PC
 RATED VOLTAGE: 400V
 RATED CURRENT: 16A
 INSULATION RESISTANCE: $\geq 400M\Omega$
 RATED IMPULSE VOLTAGE: 6KV
 POLLUTION DEGREE: 3
 FLAMMABILITY: UL94V-0
 MATING CYCLES: 500 CYCLES
 WIRE RANGE: 0.14mm²~4mm² (AWG26-AWG12)
 CONTACT TYPE: CRIMP CONTACT
 - CONTACTS NEED TO BE ORDERED SEPARATELY.
 (ORDER No. REFER TO DRAWING: T20300X20XX000)

- 注释:
- 技术参数:
 绝缘材料: PC
 额定电压: 400V
 额定电流: 16A
 绝缘电阻: $\geq 400M\Omega$
 脉冲电压: 6KV
 污染等级: 3
 阻燃等级: UL94V-0
 插拔次数: 500次
 接线范围: 0.14mm²~4mm² (AWG26-AWG12)
 接线类型: 冷压接
 - 端子需要单独订购。
 (订货号参考图面: T20300X20XX000)

T2050722201-007	HEEE-072-F	HEEE-072 FEMALE INSERT HEEE-072 母插
PART NUMBER 料号	PART DESCRIPTION 产品描述	

THIS DRAWING IS A CONTROLLED DOCUMENT.		DWN 30AUG2017 YORK CHEN	 TE Connectivity	
DIMENSIONS: mm		CHK 30AUG2017 GINO YAO		
TOLERANCES UNLESS OTHERWISE SPECIFIED:		APVD 30AUG2017 CHRIS WANG	PRODUCT SPEC 108-137068	
0 PLC ±-		APPLICATION SPEC 114-137068		SIZE A3
1 PLC ±-		WEIGHT -		CAGE CODE 00779
2 PLC ±-		CUSTOMER DRAWING		DRAWING NO T2050722201007
3 PLC ±-		SCALE 1:1		RESTRICTED TO -
4 PLC ±-		SHEET 1 OF 1		REV A
4 ANGLES ±-				
MATERIAL -				
FINISH -				