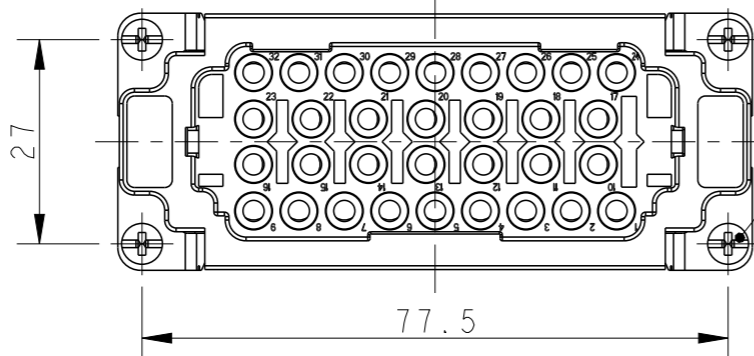
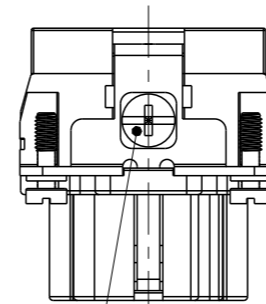
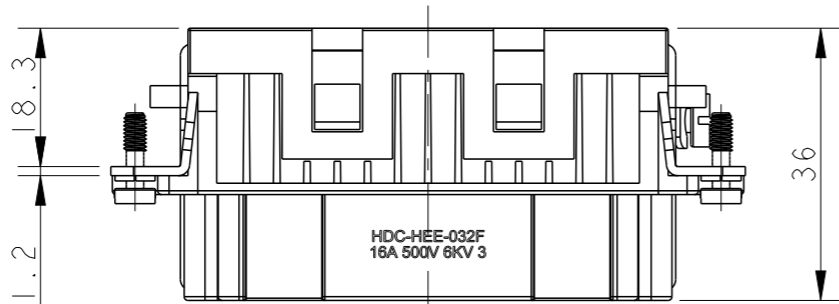
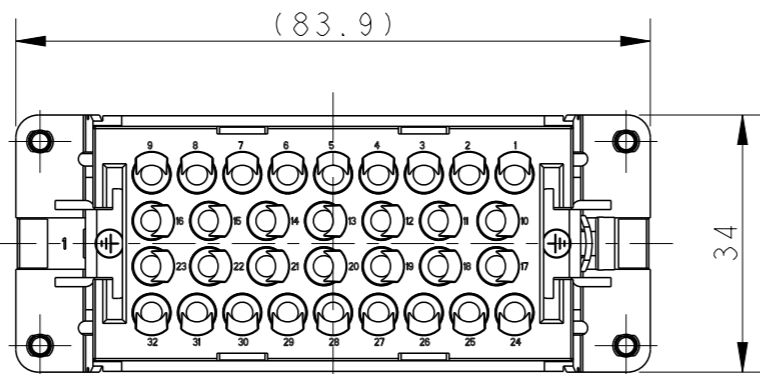
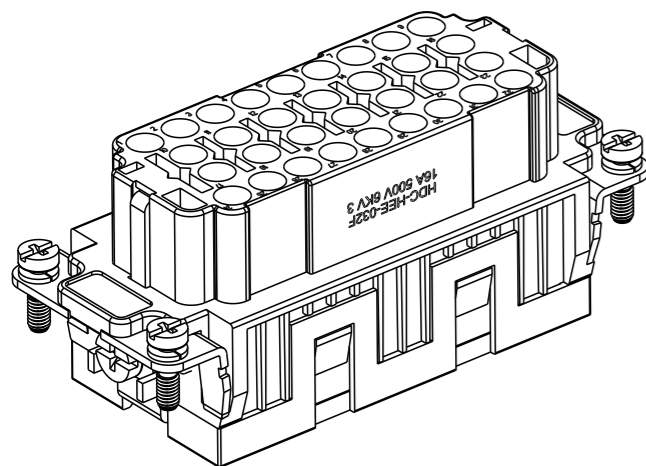


REVISIONS

P	LTR	DESCRIPTION	DATE	DWN	APVD
A		INITIAL	01APR2015	DW	CW
B		ECR-15-014907	14OCT2015	DL	CW
BI		ECR-19-012251	04SEP2019	WQR	CW



M4 THREAD
RECOMMENDED
TIGHTENING TORQUE
1.2Nm

4X M3 THREAD, RECOMMENDED
TIGHTENING TORQUE 0.5Nm

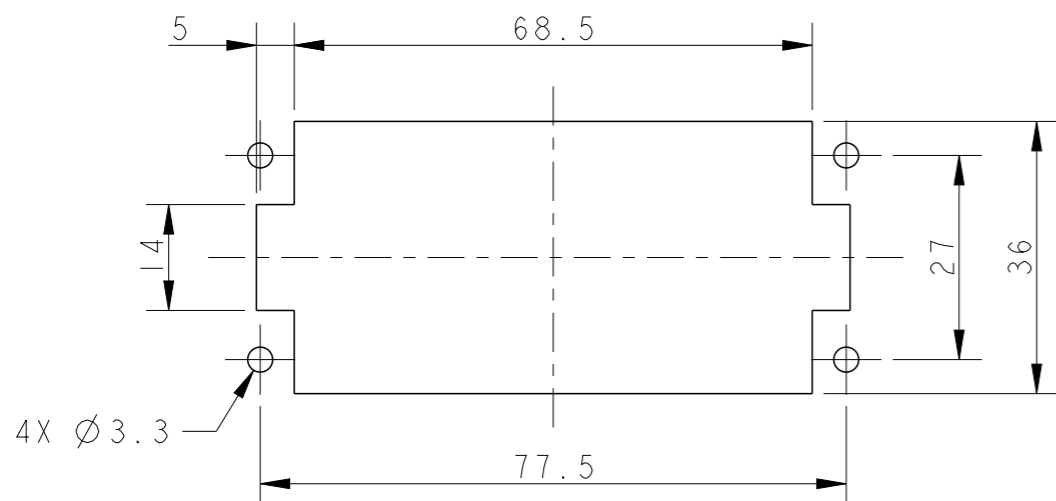
NOTES:

- TECHNICAL CHARACTERISTICS:
INSULATION MATERIAL: PC
RATED VOLTAGE: 500V
RATED CURRENT: 16A
INSULATION RESISTANCE: $\geq 400M\Omega$
RATED IMPULSE VOLTAGE: 6KV
POLLUTION DEGREE: 3
FLAMMABILITY: UL94V-0
MATING CYCLES: 500 CYCLES
OPERATION TEMPERATURE: $-40-+125^{\circ}C$
WIRE RANGE: 0.14-4 mm² (26-12 AWG)
CONTACT TYPE: CRIMP CONTACT
- CONTACT NEED TO BE ORDERED SEPARATELY.
(ORDER No. REFER TO DRAWING: T20300X20XX000)

注释:

- 技术参数:
绝缘材料: PC
额定电压: 500V
额定电流: 16A
绝缘电阻: $\geq 400M\Omega$
额定脉冲电压: 6KV
污染等级: 3
阻燃等级: UL94V-0
插拔次数: 500次
工作温度: $-40-+125^{\circ}C$
接线范围: 0.14-4 mm² (26-12 AWG)
接线类型: 冷压接
- 端子需要单独订购.
(订货号参考图面: T20300X20XX000)

PANEL CUT FOR INSERTS FOR USE
WITHOUT HOODS/ HOUSINGS



T2059322201-000	HEE-032-F	HEE-032 FEMALE INSERT, NO TE LOGO HEE-032母插, 无TE LOGO
PART NUMBER 料号	PART DESCRIPTION 描述	

THIS DRAWING IS A CONTROLLED DOCUMENT.		DWN 01APR2015 David Wang				
		CHK 01APR2015 Chris Wang				
		APVD 01APR2015 Xiang Xu	NAME HEE-032 FEMALE INSERT, NO TE LOGO			
DIMENSIONS: mm		PRODUCT SPEC 108-106137	SIZE A3	CAGE CODE 00779	DRAWING NO T2059322201000	RESTRICTED TO -
TOLERANCES UNLESS OTHERWISE SPECIFIED: 0 PLC ±- 1 PLC ±- 2 PLC ±- 3 PLC ±- 4 PLC ±- ANGLES ±-		APPLICATION SPEC 114-106137	SCALE 1:1		SHEET 1 OF 1	REV BI
MATERIAL -		WEIGHT -	Customer Drawing			