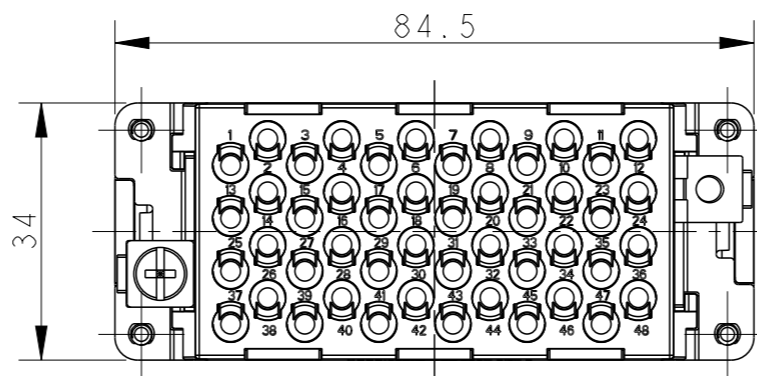
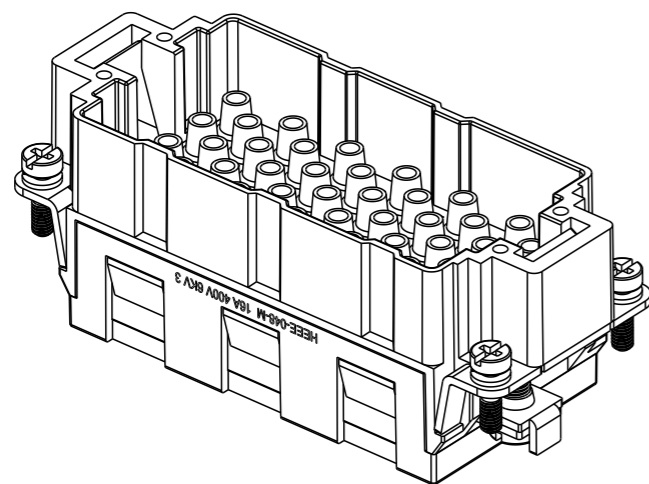
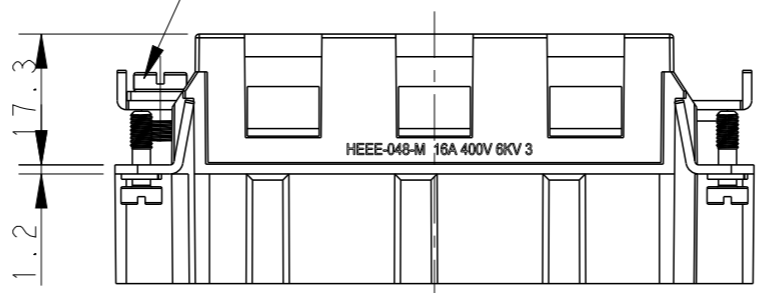


REVISIONS

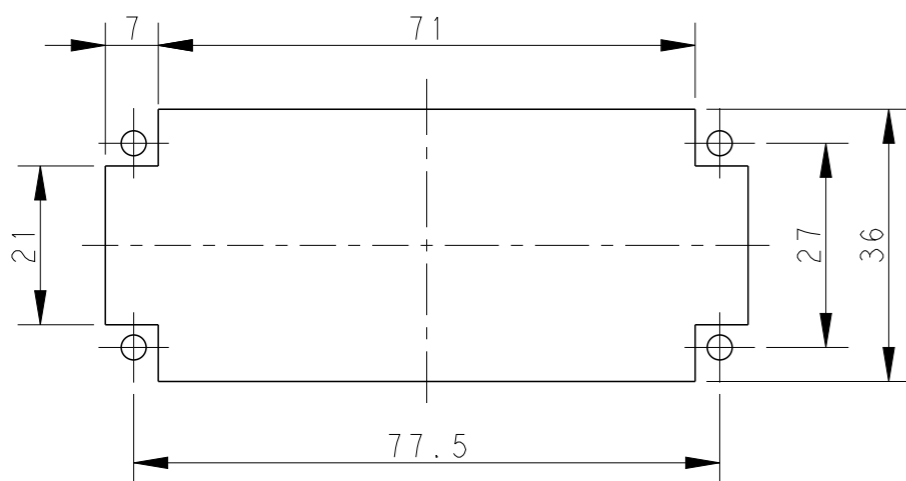
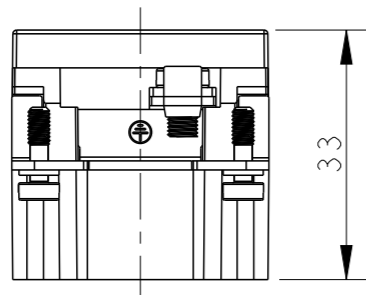
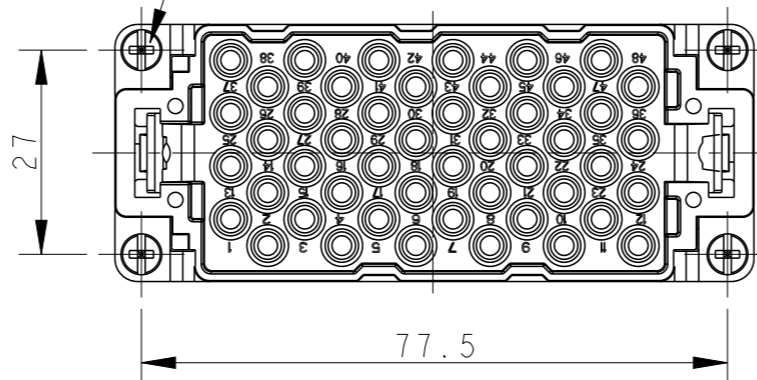
P	LTR	DESCRIPTION	DATE	DWN	APVD
A		INITIAL RELEASE	18DEC2014	HMR	CW
B		ECR-15-015267	20OCT2015	DW	CW
B1		ECR-19-012251	07SEP2019	WQR	CW



M4 THREAD, RECOMMENDED TIGHTENING TORQUE 1.2Nm
M4螺丝, 推荐锁紧力矩1.2Nm



4X M3 THREAD, RECOMMENDED TIGHTENING TORQUE 0.5Nm
4X M3螺丝, 推荐锁紧力矩0.5Nm



PANEL CUT FOR INSERTS FOR USE WITHOUT HOODS/ HOUSINGS
不使用防护外壳时芯件的安装开孔图

NOTES:

- TECHNICAL CHARACTERISTICS:
INSULATION MATERIAL: PC
RATED VOLTAGE: 400V
RATED CURRENT: 16A
INSULATION RESISTANCE: $\geq 400M\Omega$
RATED IMPULSE VOLTAGE: 6KV
POLLUTION DEGREE: 3
FLAMMABILITY: UL94V-0
MATING CYCLES: 500 CYCLES
WIRE RANGE: $0.14mm^2 \sim 4mm^2$ (AWG26-AWG12)
CONTACT TYPE: CRIMP CONTACT
- CONTACTS NEED TO BE ORDERED SEPARATELY.
(ORDER No. REFER TO DRAWING: T20300X10XX000)

注释:

- 技术参数:
绝缘材料: PC
额定电压: 400V
额定电流: 16A
绝缘电阻: $\geq 400M\Omega$
脉冲电压: 6KV
污染等级: 3
阻燃等级: UL94V-0
插拔次数: 500次
接线范围: $0.14mm^2 \sim 4mm^2$ (AWG26-AWG12)
接线类型: 冷压接
- 端子需要单独订购。
(订货号参考图面: T20300X10XX000)

T2059482101-000	HEEE-048-M	HEEE-048 MALE INSERT, NO LOGO HEEE-048公插, 无LOGO
PART NUMBER 料号	PART DESCRIPTION 描述	

THIS DRAWING IS A CONTROLLED DOCUMENT.

DIMENSIONS:	TOLERANCES UNLESS OTHERWISE SPECIFIED:
mm	
0 PLC	±-
1 PLC	±-
2 PLC	±-
3 PLC	±-
4 PLC	±-
ANGLES	±-
MATERIAL	FINISH
-	-
-	-

DWN	18DEC2014
RAGHAVENDRA H M	
CHK	18DEC2014
CHRIS WANG	
APVD	18DEC2014
XU XIANG	
PRODUCT SPEC	108-137068
APPLICATION SPEC	114-137068
WEIGHT	-
Customer Drawing	

		TE Connectivity	
		NAME HEEE-048 MALE INSERT, NO LOGO	
SIZE	CAGE CODE	DRAWING NO	RESTRICTED TO
A3	00779	©-T2059482101000	-
SCALE		SHEET	REV
1:1		1 OF 1	B1