

THIS DRAWING IS UNPUBLISHED.

RELEASED FOR PUBLICATION

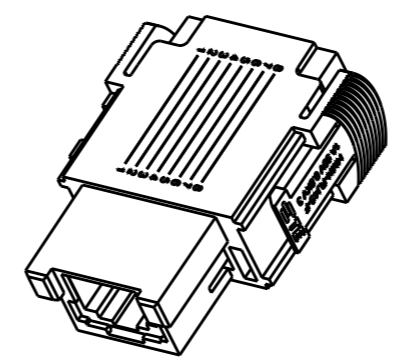
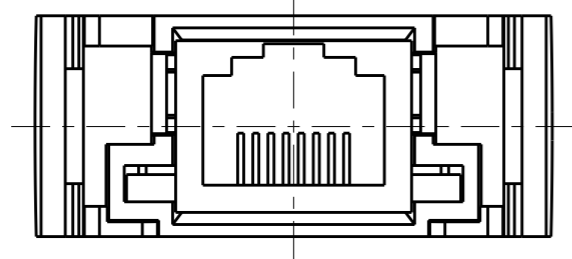
20

© COPYRIGHT 20 BY -

ALL RIGHTS RESERVED.

REVISIONS

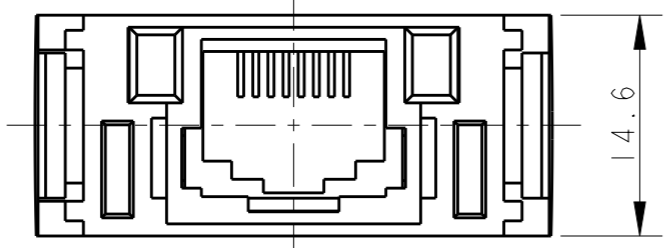
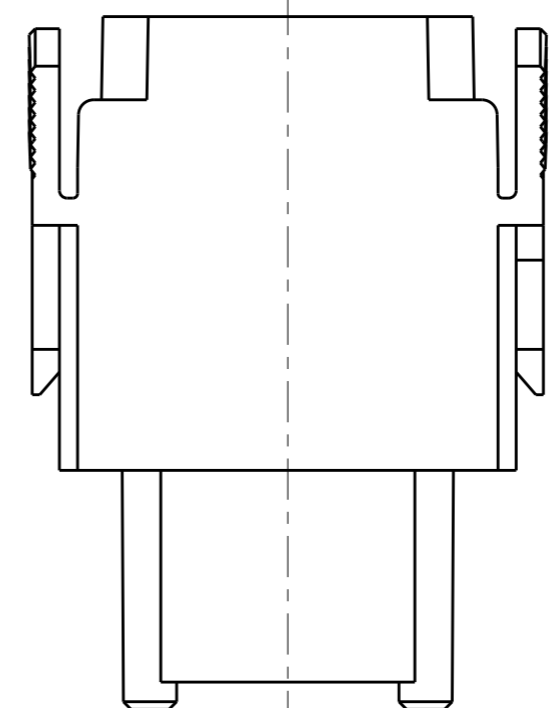
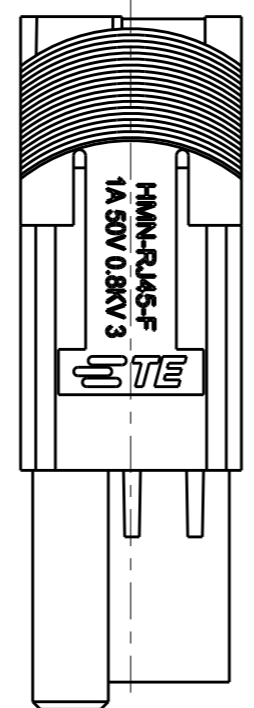
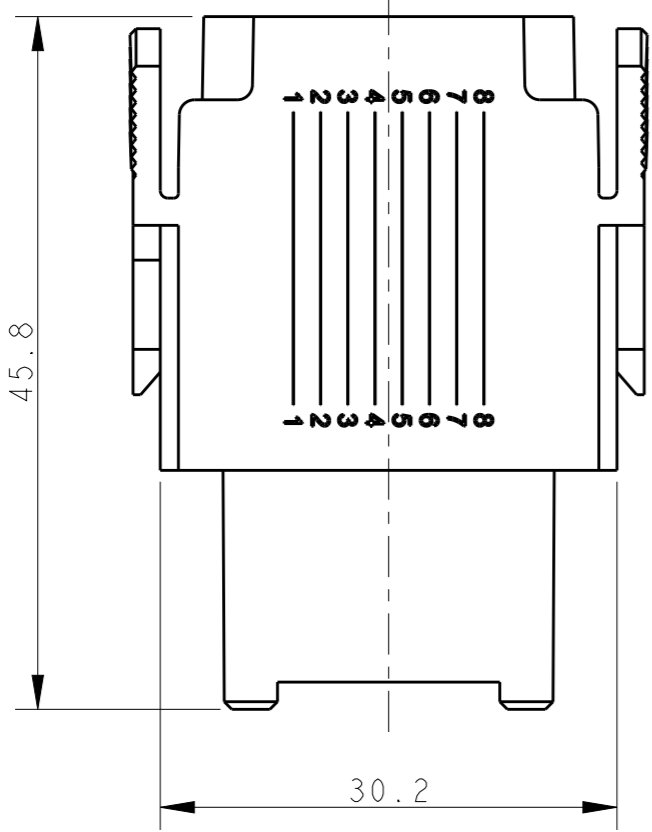
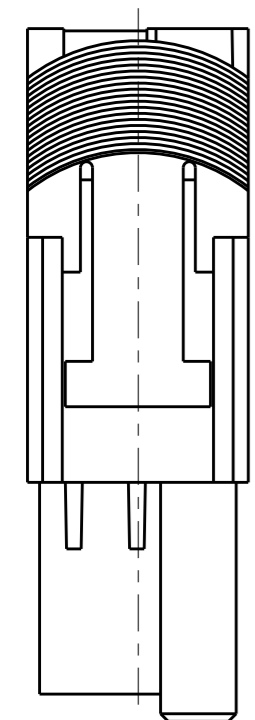
P	LTR	DESCRIPTION	DATE	DWN	APVD
	A	INITIAL	19SEP2017	YC	CW




SCALE 1:1

NOTES:
 1. TECHNICAL CHARACTERISTICS:
 INSULATION MATERIAL: PC
 RATED VOLTAGE: 50V
 RATED CURRENT: 1A
 INSULATION RESISTANCE: $\geq 400M\Omega$
 RATED IMPULSE VOLTAGE: 0.8KV
 POLLUTION DEGREE: 3
 FLAMMABILITY: UL94V-0
 MATING CYCLES: 750

注释:
 1. 技术参数:
 绝缘材料: PC
 额定电压: 50V
 额定电流: 1A
 绝缘电阻: $\geq 400M\Omega$
 脉冲电压: 0.8KV
 污染等级: 3
 阻燃等级: UL94V-0
 插拔次数: 750



T2113000201-007	HMN-RJ45-F	HMN-RJ45 FEMALE MODULE INSERT HMN-RJ45 母插
PART NUMBER 料号	PART DESCRIPTION 描述	

THIS DRAWING IS A CONTROLLED DOCUMENT.		DWN 19SEP2017 YORK CHEN	 TE Connectivity
		CHK 19SEP2017 GINO YAO	
		APVD 19SEP2017 CHRIS WANG	
		PRODUCT SPEC 108-137065	
DIMENSIONS: mm		APPLICATION SPEC 114-137065	NAME HMN-RJ45-F
TOLERANCES UNLESS OTHERWISE SPECIFIED: 0 PLC ±- 1 PLC ±- 2 PLC ±- 3 PLC ±- 4 PLC ±- ANGLES ±-		WEIGHT -	SIZE A3
MATERIAL -		CUSTOMER DRAWING	CAGE CODE -
		FINISH -	DRAWING NO T2113000201007
			RESTRICTED TO -
			SCALE 2:1
			SHEET 1 OF 1
			REV A