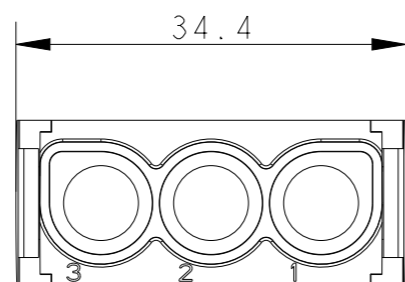
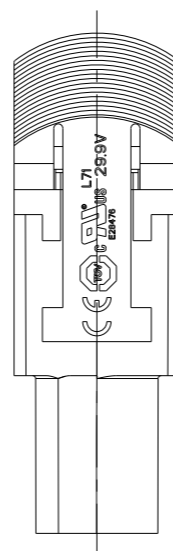
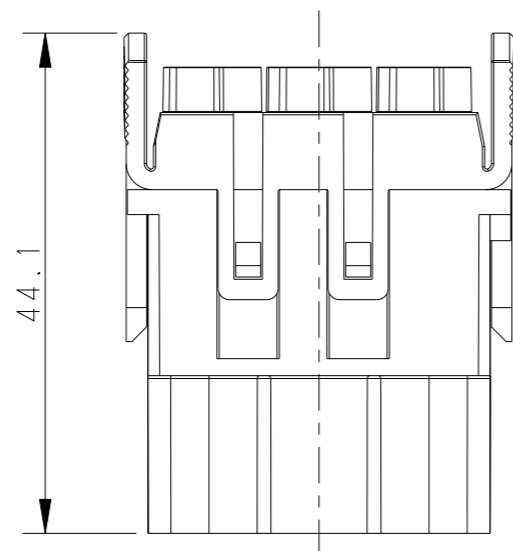
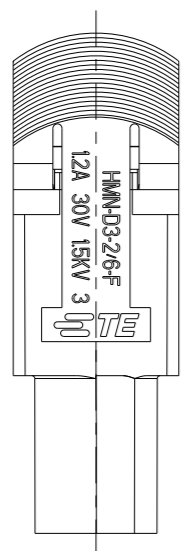
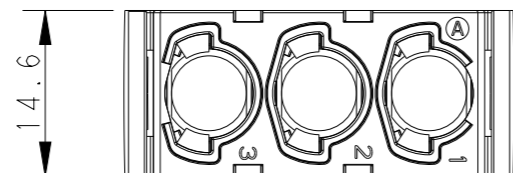
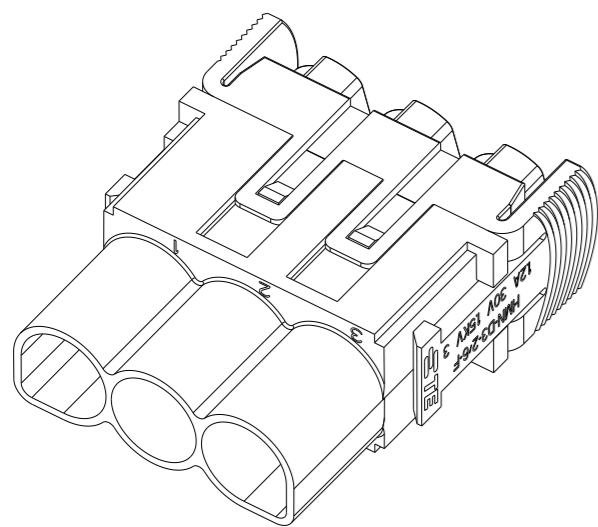


P	LTR	DESCRIPTION	DATE	DWN	APVD
	A	INITIAL	15NOV2019	DW	CW
	A1	ECR-20-008707	29JUN2020	DW	CW
	B	ECR-21-111798	07OCT2021	WQR	CW



NOTES:

- TECHNICAL CHARACTERISTICS:  
 INSULATION MATERIAL: PC  
 RATED VOLTAGE: 30V  
 RATED CURRENT: 1.2A  
 INSULATION RESISTANCE:  $\geq 400M\Omega$   
 RATED IMPULSE VOLTAGE: 1.5KV  
 POLLUTION DEGREE: 3  
 FLAMMABILITY: UL94V-0  
 MATING CYCLES: 500 CYCLES  
 TEMPERATURE RANGE: -20~+125°C  
 WIRE RANGE: FOR 210 DATE: 0.14~1.0 mm<sup>2</sup> (26~18 AWG)  
 FOR 606 DATE: 0.08~0.34 mm<sup>2</sup> (28~22 AWG)  
 CONTACT TYPE: CRIMP CONTACT
- DATA ELEMENT NEED TO BE ORDERED SEPARATELY.  
 (ORDER No. REFER TO PARTS:  
 FOR 210 DATE: 40.A711.00 + 60.279.11;  
 FOR 606 DATE: 40.A702.00 + 60.278.11)

注释:

- 技术参数:  
 绝缘材料: PC  
 额定电压: 30V  
 额定电流: 1.2A  
 绝缘电阻:  $\geq 400M\Omega$   
 额定脉冲电压: 1.5KV  
 污染等级: 3  
 阻燃等级: UL94V-0  
 插拔次数: 500次  
 温度范围: -20~+125°C  
 接线范围: 210数据传输模块: 0.14~1.0 mm<sup>2</sup> (26~18 AWG)  
 606数据传输模块: 0.08~0.34 mm<sup>2</sup> (28~22 AWG)  
 接线类型: 冷压接
- 数据传输模块需要单独订购。  
 (订货号参考: 210数据传输模块: 40.A711.00 + 60.279.11  
 606数据传输模块: 40.A702.00 + 60.278.11)

T2115032201-000	HMN-D3-2/6-F	HMN-D3-2/6 FEMALE MODULE INSERT HMN-D3-2/6 模块母插
PART NUMBER 料号	PART DESCRIPTION 描述	

THIS DRAWING IS A CONTROLLED DOCUMENT.		DWN 12JUL2019 DAVID WANG												
DIMENSIONS: mm		CHK 12JUL2019 GINO YAO												
TOLERANCES UNLESS OTHERWISE SPECIFIED:		APVD 12JUL2019 CHRIS WANG												
<table border="0"> <tr><td>0 PLC</td><td>±-</td></tr> <tr><td>1 PLC</td><td>±-</td></tr> <tr><td>2 PLC</td><td>±-</td></tr> <tr><td>3 PLC</td><td>±-</td></tr> <tr><td>4 PLC</td><td>±-</td></tr> <tr><td>ANGLES</td><td>±-</td></tr> </table>		0 PLC			±-	1 PLC	±-	2 PLC	±-	3 PLC	±-	4 PLC	±-	ANGLES
0 PLC	±-													
1 PLC	±-													
2 PLC	±-													
3 PLC	±-													
4 PLC	±-													
ANGLES	±-													
MATERIAL		PRODUCT SPEC 108-137419	SIZE	CAGE CODE	DRAWING NO	RESTRICTED TO								
-		APPLICATION SPEC 114-137419	A3	00779	©-T2115032201000									
-		FINISH	RESTRICTED CUSTOMER		SCALE 3:2	SHEET 1 OF 1	REV B							