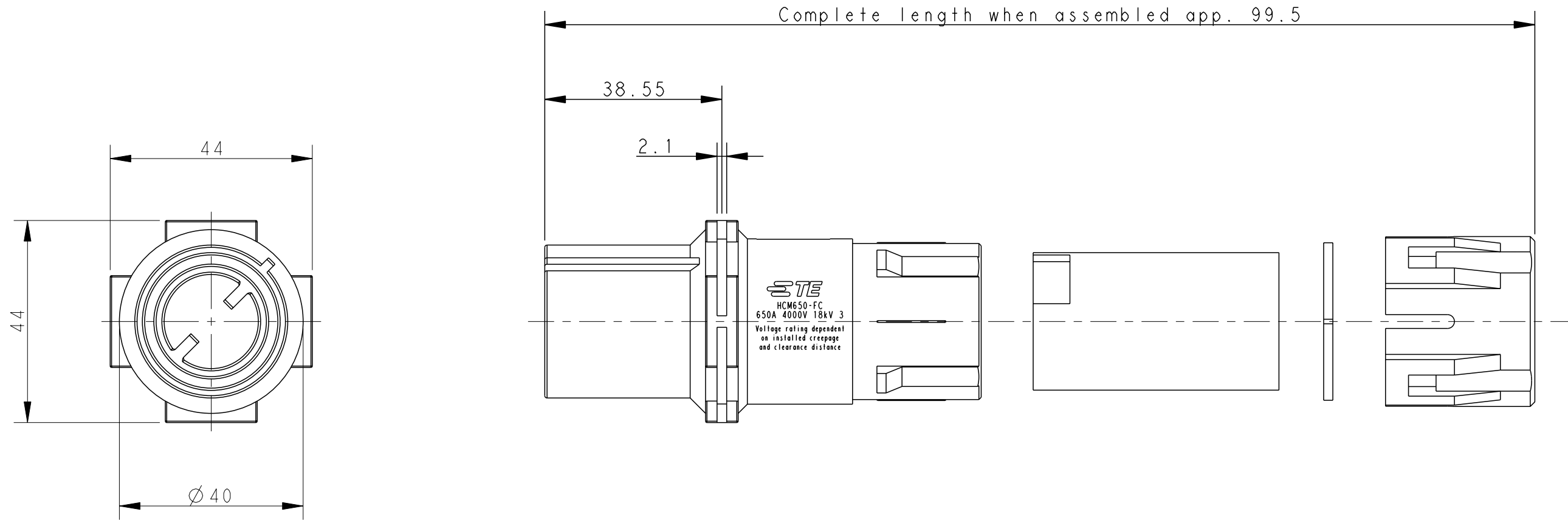


THIS DRAWING IS UNPUBLISHED. RELEASED FOR PUBLICATION  
 © COPYRIGHT - BY - ALL RIGHTS RESERVED.

REVISIONS				
P	LTR	DESCRIPTION	DATE	APVD
	A	INITIAL	29MAY2018	GY CW

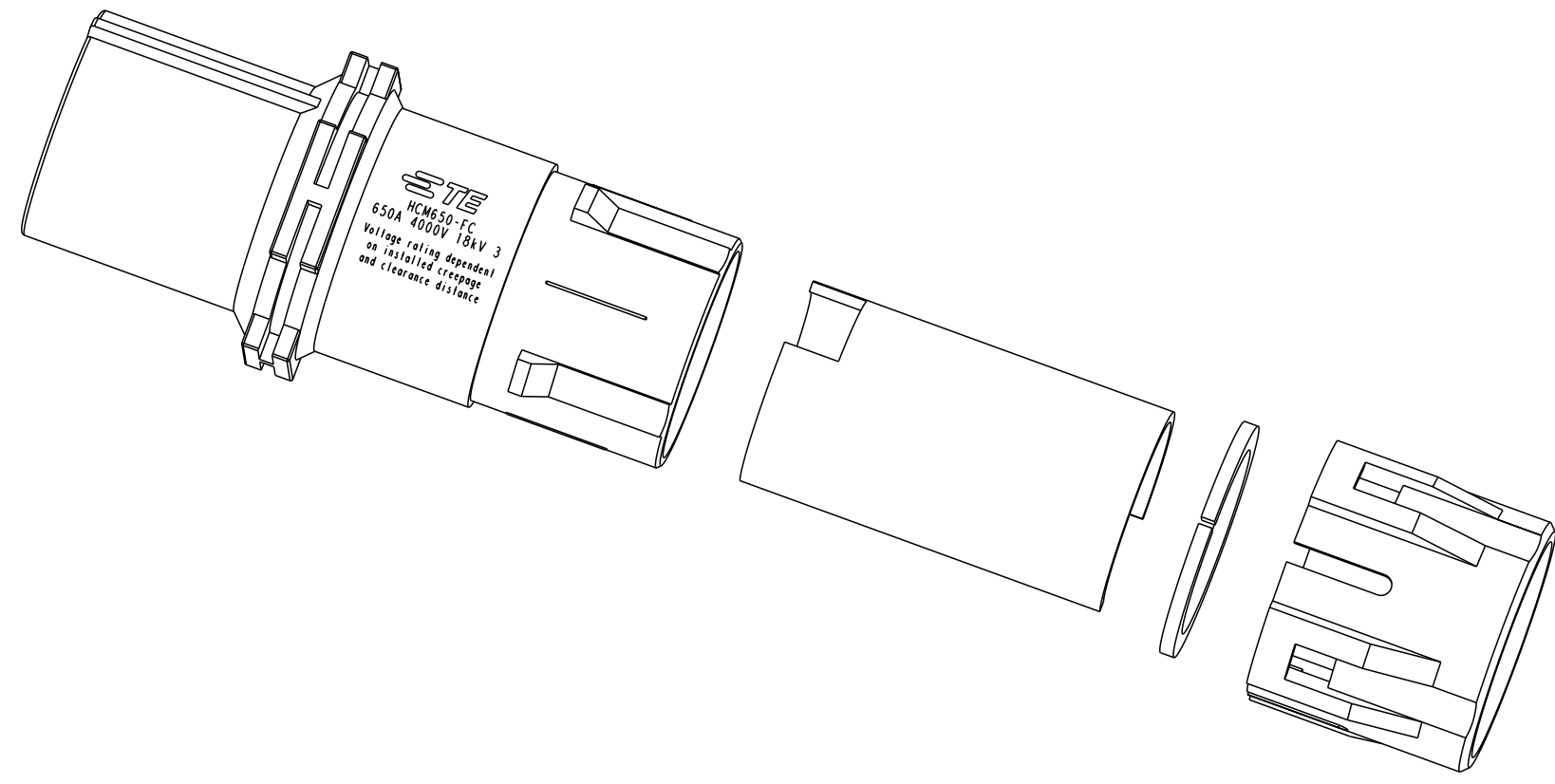


NOTES:

- TECHNICAL CHARACTERISTICS:  
 INSULATION MATERIAL: PA  
 RATED VOLTAGE: 4000V  
 RATED CURRENT: 650A  
 RATED IMPULSE VOLTAGE: 18KV  
 POLLUTION DEGREE: 3  
 FLAMMABILITY: UL94V-0  
 WIRE RANGE: 70-240mm<sup>2</sup>  
 CONTACT TYPE: CRIMP CONTACT
- CONTACT NEED TO BE ORDERED SEPARATELY.  
 (ORDER No. REFER TO DRAWING: T2196502XXX00X)

注释:

- 技术参数:  
 绝缘材料: PA  
 额定电压: 4000V  
 额定电流: 650A  
 额定脉冲电压: 18KV  
 污染等级: 3  
 阻燃等级: UL94V-0  
 接线范围: 70-240mm<sup>2</sup>  
 接线类型: 冷压接
- 端子需要单独订购。  
 (订货号参考图面: T2196502XXX00X)



T2196503201-000	HCM650-FC	HCM650 FEMALE INSERT, CRIMP HCM650 母插, 冷压
PART NUMBER 零件料号	PART DESCRIPTION 零件描述	

THIS DRAWING IS A CONTROLLED DOCUMENT.		DWN GINO.YAO 30 JAN 2018	TE Connectivity	
		CHK CHRIS.WANG 30 JAN 2018		
DIMENSIONS: mm		APVD CHRIS.WANG 30 JAN 2018	NAME HCM650-FC	
TOLERANCES UNLESS OTHERWISE SPECIFIED:		PRODUCT SPEC 108-137074	SIZE A200779	
0 PLC ±-		APPLICATION SPEC 114-137074	CAGE CODE G-T2196503201000	
1 PLC ±-		WEIGHT	DRAWING NO	
2 PLC ±-		RESTRICTED CUSTOMER	RESTRICTED TO	
3 PLC ±-			SCALE 1:1	
4 PLC ±-			SHEET 1 OF 1	
ANGLES ±-			REV A	
FINISH				