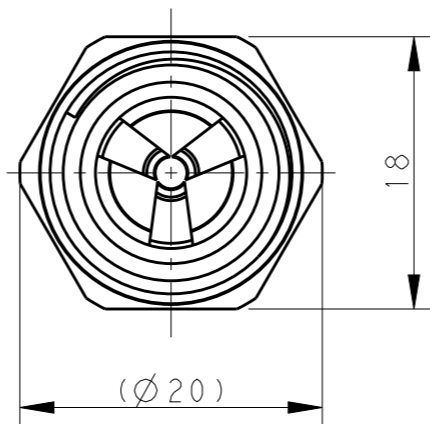
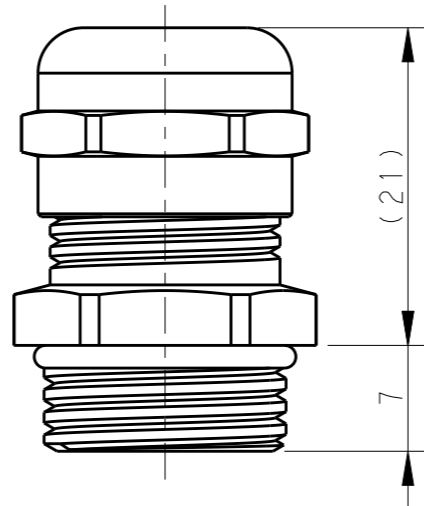
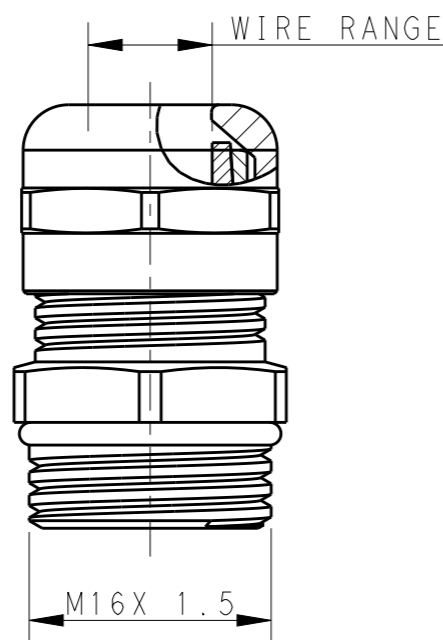
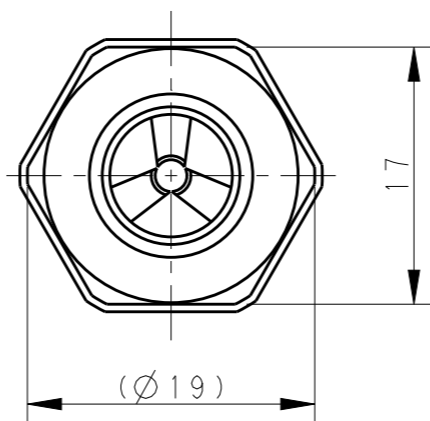
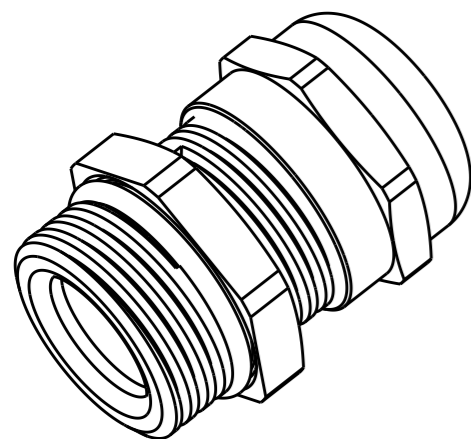


REVISIONS

| P | LTR | DESCRIPTION | DATE | DWN | APVD |
|---|-----|-----------------|-----------|-----|------|
| | A | INITIAL RELEASE | 27APR2017 | DW | CW |
| | | | | | |
| | | | | | |



NOTES / 注解:

- I. TECHNICAL CHARACTERISTICS / 技术参数:
 SHELL MATERIAL / 主体材料 : NICKEL PLATED BRASS / 铜镀镍
 SEAL MATERIAL / 密封材料: RUBBER, BLACK
 PINCH RING MATERIAL / 夹紧件材料: NYLON, GREY
 OPERATION TEMPERATURE / 工作温度: -40°C - +100°C
 PROTECTION DEGREE / 防护等级: IP68
 WIRE RANGE / 夹线范围: 4-8 mm

| | |
|-------------------|---------------------------------------|
| T3707160103-000 | DLX-16-MC (4-8) 电磁屏蔽金属接头 M16 (4-8) |
| PART NUMBER 料号 | PART DESCRIPTION 描述 |

| | | | | | | | | | | | | | | |
|--|--------|-----------------------------|--------------|-----------------|------------------------------|--------------------|----|-------|----|-------|----|-------|----|--------|
| THIS DRAWING IS A CONTROLLED DOCUMENT. | | DWN 07APR2017 DAVID WANG | | | | | | | | | | | | |
| DIMENSIONS: mm | | CHK 07APR2017 CHRIS WANG | | | NAME DLX-16-MC (4-8) | | | | | | | | | |
| TOLERANCES UNLESS OTHERWISE SPECIFIED: | | APVD 07APR2017 XIANG XU | | | | | | | | | | | | |
| <table border="1"> <tr><td>0 PLC</td><td>±-</td></tr> <tr><td>1 PLC</td><td>±-</td></tr> <tr><td>2 PLC</td><td>±-</td></tr> <tr><td>3 PLC</td><td>±-</td></tr> <tr><td>4 PLC</td><td>±-</td></tr> <tr><td>ANGLES</td><td>±-</td></tr> </table> | | 0 PLC | | | ±- | 1 PLC | ±- | 2 PLC | ±- | 3 PLC | ±- | 4 PLC | ±- | ANGLES |
| 0 PLC | ±- | | | | | | | | | | | | | |
| 1 PLC | ±- | | | | | | | | | | | | | |
| 2 PLC | ±- | | | | | | | | | | | | | |
| 3 PLC | ±- | | | | | | | | | | | | | |
| 4 PLC | ±- | | | | | | | | | | | | | |
| ANGLES | ±- | | | | | | | | | | | | | |
| MATERIAL | FINISH | APPLICATION SPEC - | SIZE A3 | CAGE CODE - | DRAWING NO T3707160103000 | RESTRICTED TO - | | | | | | | | |
| CUSTOMER DRAWING | | | SCALE 2:1 | SHEET 1 OF 1 | REV A | | | | | | | | | |