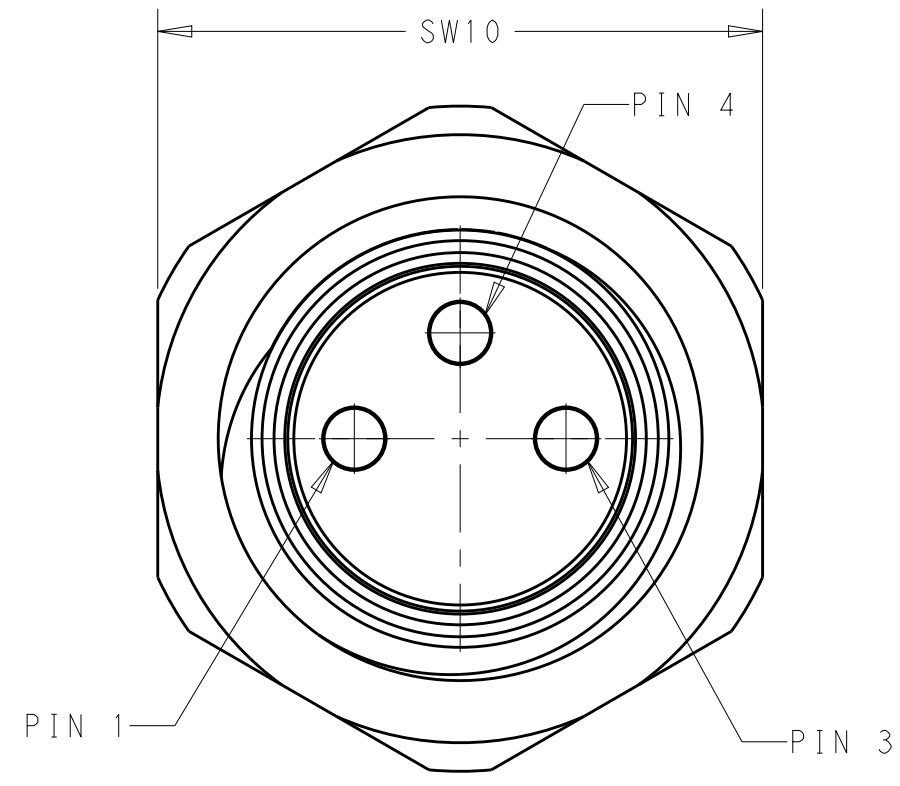
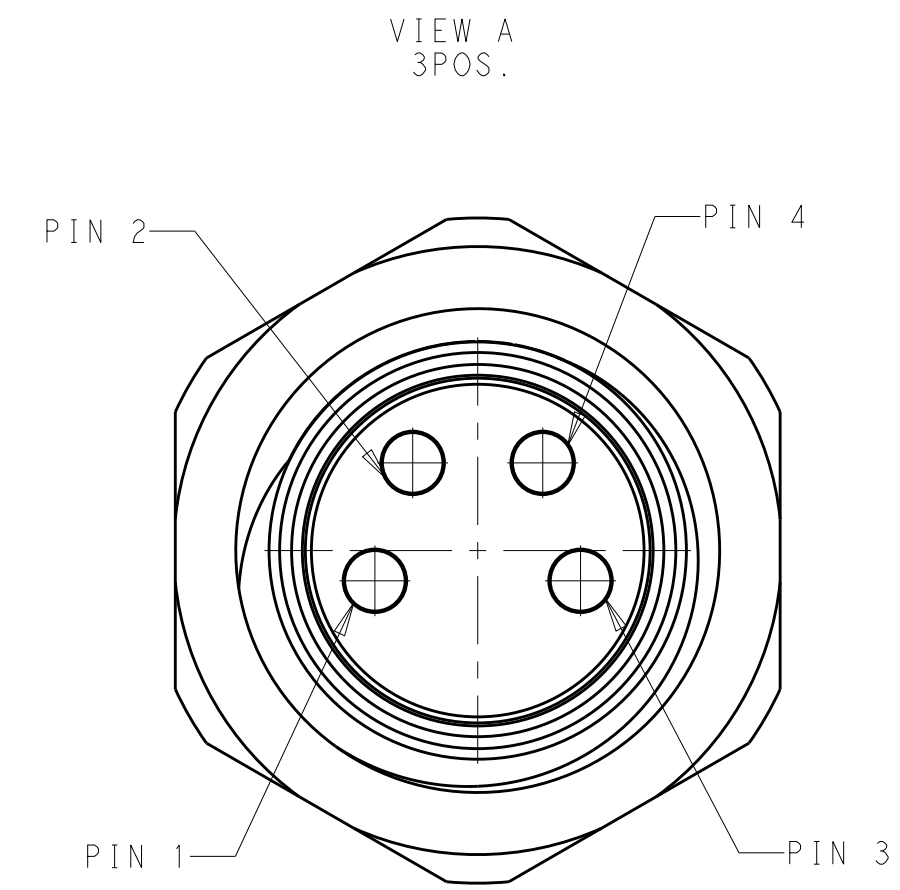
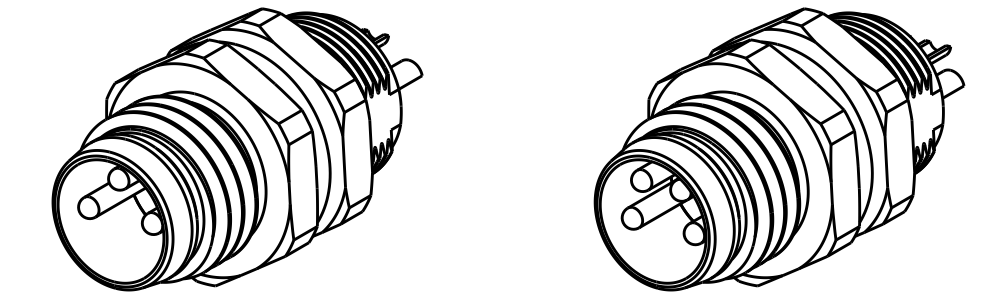
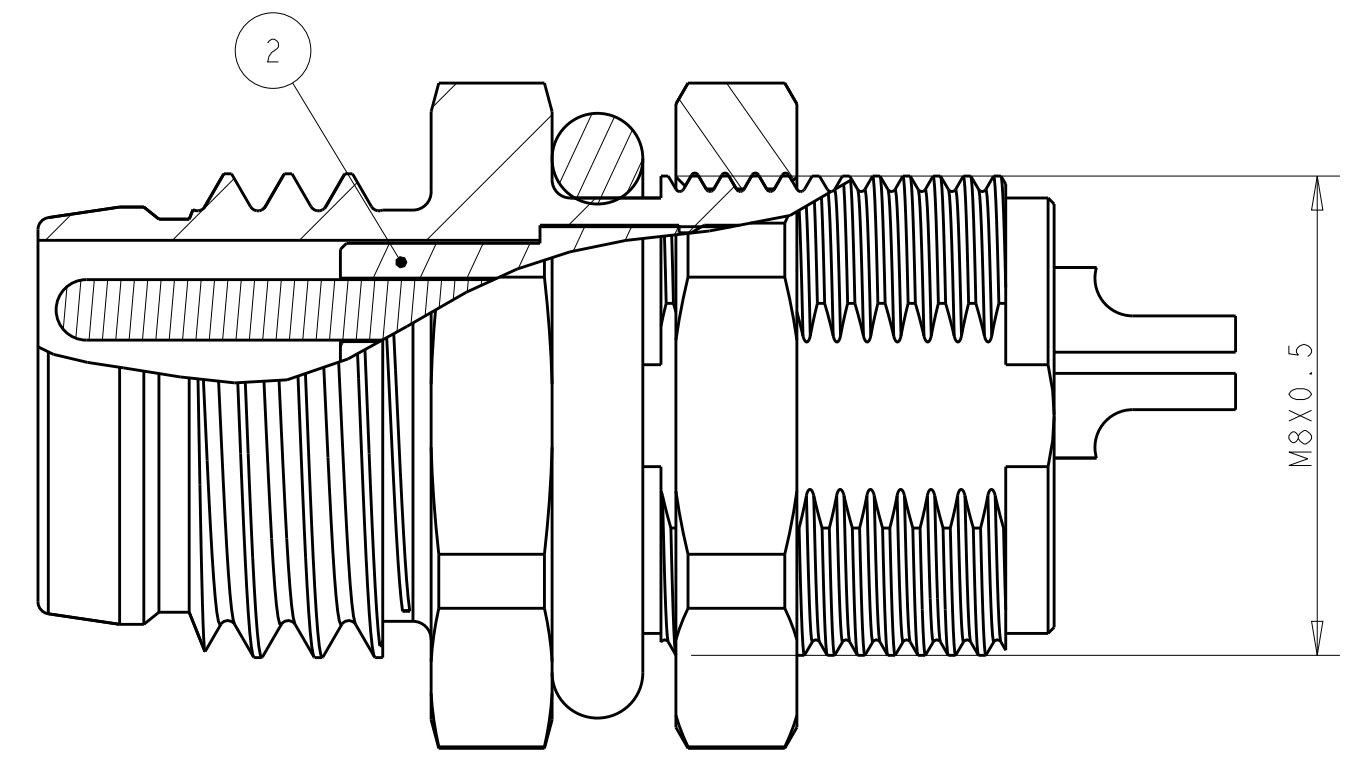


THIS DRAWING IS UNPUBLISHED. RELEASED FOR PUBLICATION 20  
 © COPYRIGHT 20 BY - ALL RIGHTS RESERVED.

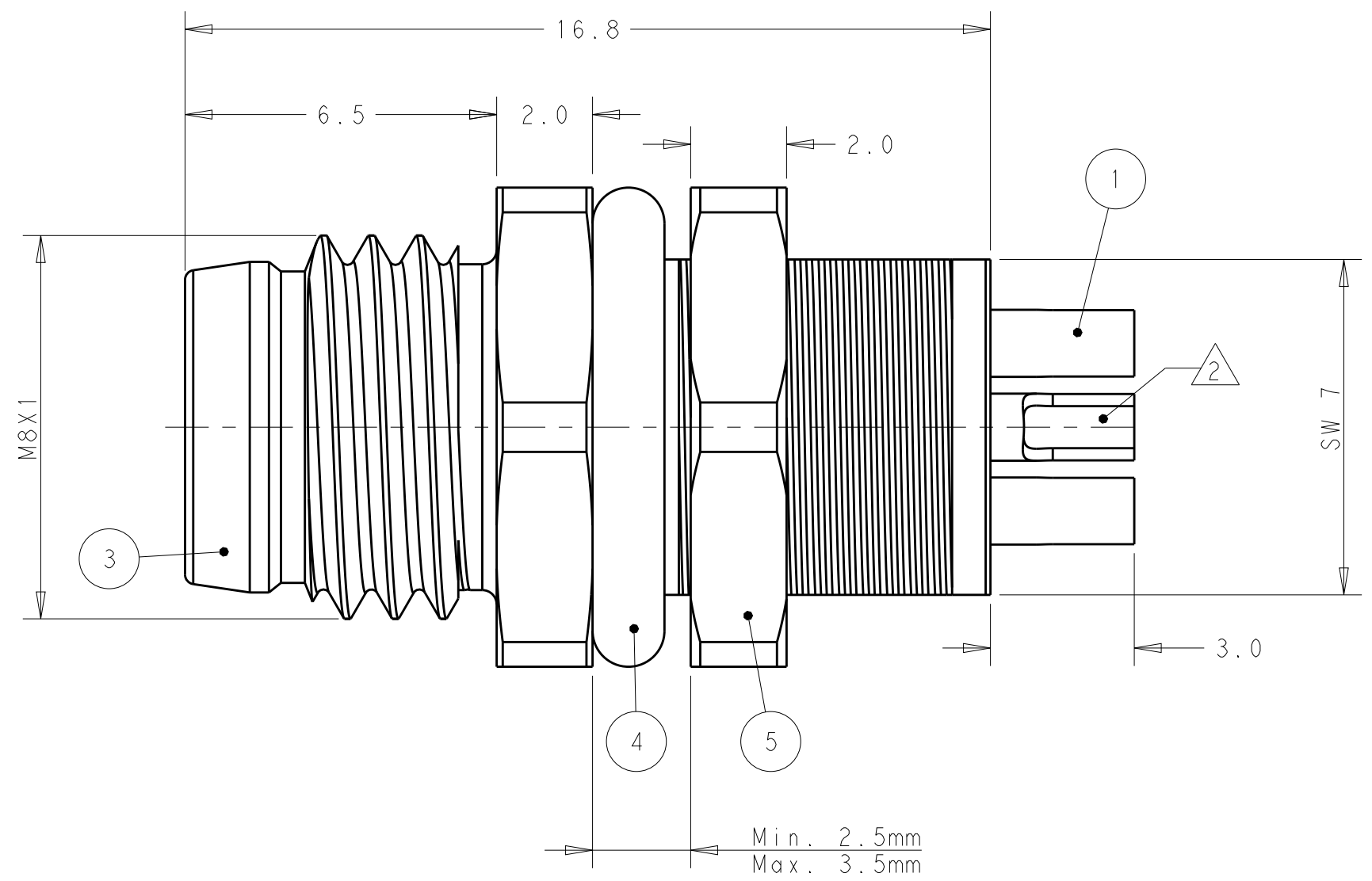
| REVISIONS |     |                 |           |         |
|-----------|-----|-----------------|-----------|---------|
| P         | LTR | DESCRIPTION     | DATE      | APVD    |
| A         |     | INITIAL RELEASE | 01AUG2016 | N.P X.X |



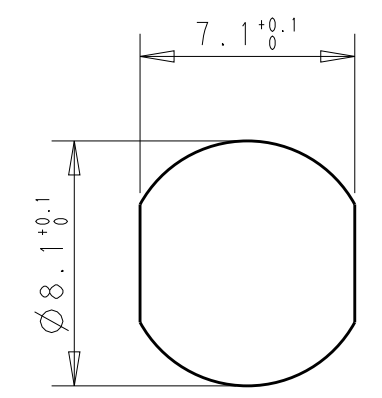
VIEW A



VIEW A  
3POS.



Min. 2.5mm  
Max. 3.5mm  
RECOMMENDED  
PANEL THICKNESS



PANEL MOUNTING  
HOLE SIZE

NOTES:

1. TECHNICAL DATA: SEE TABLE 1
2. CONTACT SOLIDER CUP;
3. THE WIRE COLOR FOR SOLIDERING: PIN 1 BROWN; PIN 2 WHITE; PIN 3 BLUE; PIN 4 BLACK;
4. ALL PRODUCT MUST COMPLIANCE WITH ROHS AND REACH.

注意事项

1. 技术参数: 见表 1
2. 端子焊杯;
3. 焊接线的颜色: PIN 1棕色, PIN 2白色, PIN 3蓝色, PIN 4黑色;
4. 产品必须符合ROHS与REACH.

TABLE 1

| TECHNICAL DATA        | T4032014031-000 | T4032014041-000 |
|-----------------------|-----------------|-----------------|
| RATED IMPULSE VOLTAGE | 1500V           | 800V            |
| RATED VOLTAGE         | 60V             | 30V             |
| RATED CURRENT         | 3A              |                 |
| POLLETION DEGREE      | 3               |                 |
| OVERVOLTAGE CATEGORY  | II              |                 |
| MATERIAL GROUP        | II              |                 |
| DEGREE OF PROTECTION  | IP67            |                 |
| TEMPERATURE           | -40°C~85°C      |                 |

THIS DRAWING IS A CONTROLLED DOCUMENT.

| DIMENSIONS: | TOLERANCES UNLESS OTHERWISE SPECIFIED: |
|-------------|--|
| mm          |  |
| 0 PLC       | ±                                      |
| 1 PLC       | ±0.25                                  |
| 2 PLC       | ±0.15                                  |
| 3 PLC       | ±                                      |
| 4 PLC       | ±                                      |
| ANGLES      | ±                                      |
| FINISH      |  |

|                  |              |           |
|------------------|--------------|-----------|
| DWN              | Nick Pan     | 01AUG2016 |
| CHK              | Kobby Zhao   | 01AUG2016 |
| APVD             | Xiang Xu     | 01AUG2016 |
| PRODUCT SPEC     | 108-106140   |           |
| APPLICATION SPEC | 114-137144-1 |           |
| WEIGHT           | -            |           |
| CUSTOMER DRAWING |              |           |

| MATERIAL     | DESCRIPTION | ITEM |
|--------------|-------------|------|
| COPPER ALLOY | NUT         | 5    |
| RUBBER       | O-RING      | 4    |
| COPPER ALLOY | BODY NUT    | 3    |
| PA66         | HOUSING     | 2    |
| COPPER ALLOY | CONTACT     | 1    |

|                       |      |                 |
|-----------------------|------|-----------------|
| RPC-M8-MB-4CON-M8-LAU | 4    | T4032014041-000 |
| RPC-M8-MB-3CON-M8-LAU | 3    | T4032014031-000 |
| TYPE                  | POS. | PART NUMBER     |



|  |           |                  |               |
|--|-----------|------------------|---------------|
| NAME: M8 PANEL CONNECTOR MALE SIDE<br>SOLDER TYPE WITHOUT WIRE<br>FRONT MOUNTING |           |                  |               |
| SIZE   | CAGE CODE | DRAWING NO       | RESTRICTED TO |
| A2   | -         | ©-T40320140X1000 | -             |
| SCALE  | 7:1       | SHEET            | 1 OF 1        |
| REV  | A         |                  |               |