

THIS DRAWING IS UNPUBLISHED. RELEASED FOR PUBLICATION
 © COPYRIGHT copyright.d8te- ALL RIGHTS RESERVED.

REVISIONS					
P	LTR	DESCRIPTION	DATE	DWN	APVD
A		INITIAL RELEASE	12JUN2018	T.F	C.W
A1		ECR-18-018663	11NOV2018	T.F	C.W
B		ECR-19-009136	02AUG2019	C.D	C.W

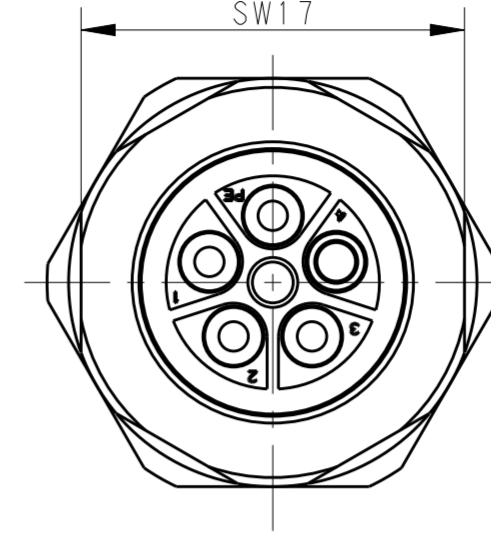
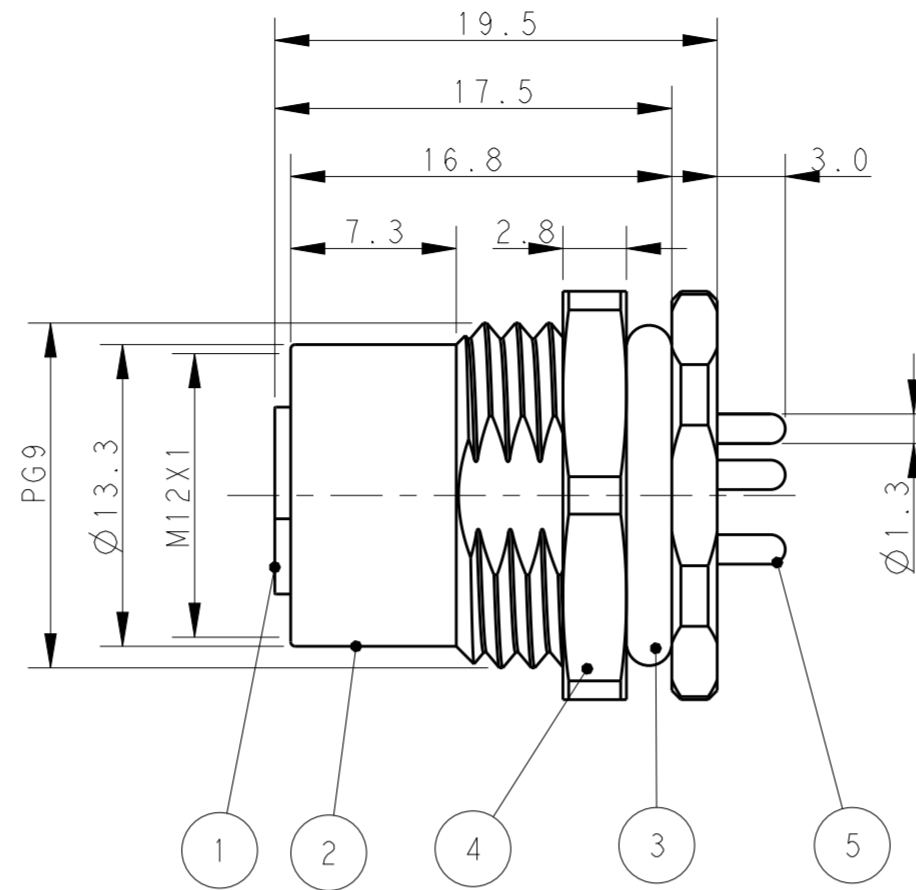
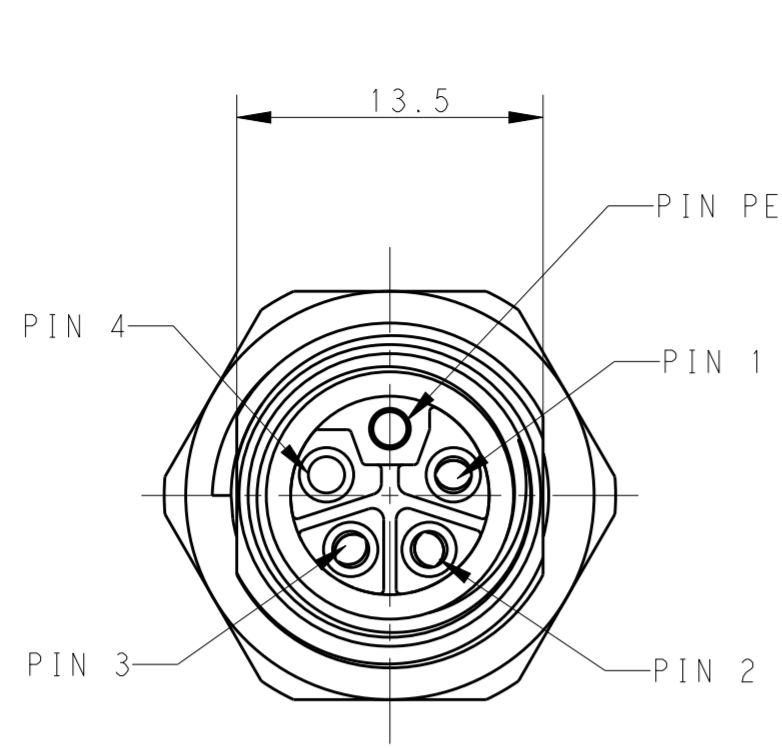
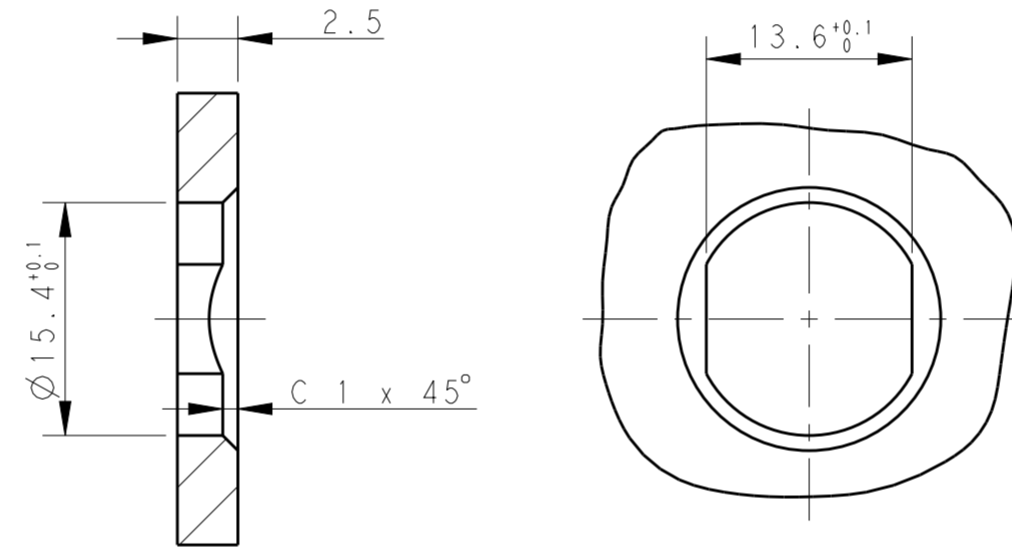


TABLE 1

TECHNICAL DATA	T4141L12051-000	T4141L12041-000	T4141L12031-000
RATED VOLTAGE	63V	63V	63V
RATED CURRENT	16A	16A	16A
POLLUTION DEGREE	3	3	3
OVERVOLTAGE CATEGORY	IV	IV	IV
MATERIAL GROUP	IIIb	IIIb	IIIb
CONTACT RESISTANCE	≤5mΩ	≤5mΩ	≤5mΩ
INSULATION RESISTANCE	>100MΩ	>100MΩ	>100MΩ
DEGREE OF PROTECTION	IP67	IP67	IP67
OPERATION TEMPERATURE	-40~85°C	-40~85°C	-40~85°C

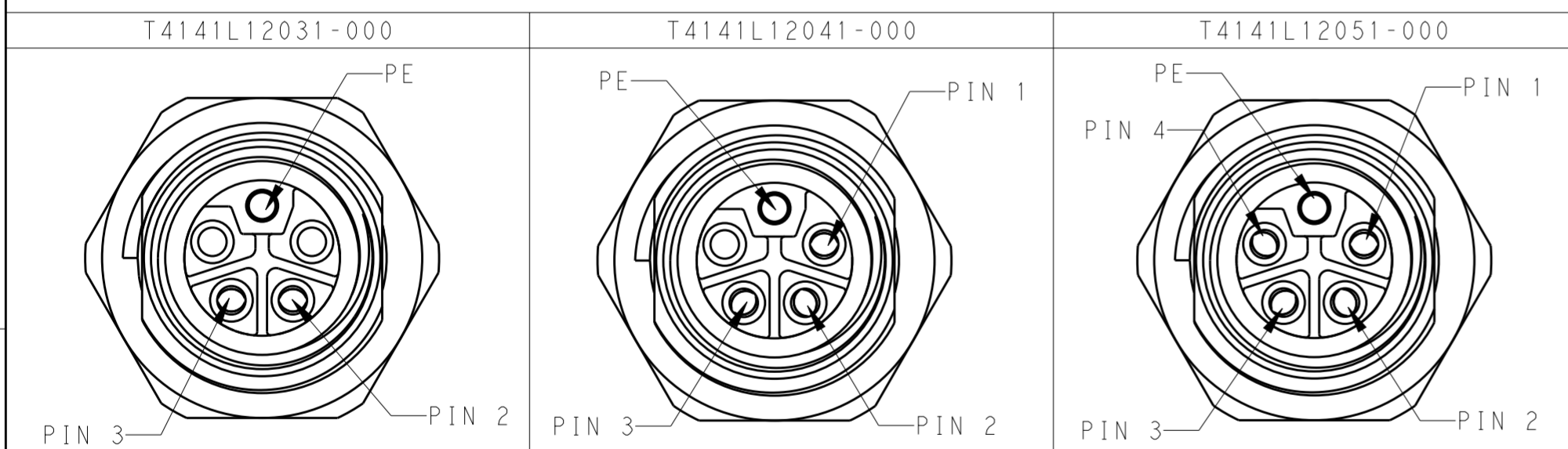


RECOMMENDED PANEL CUTOUT

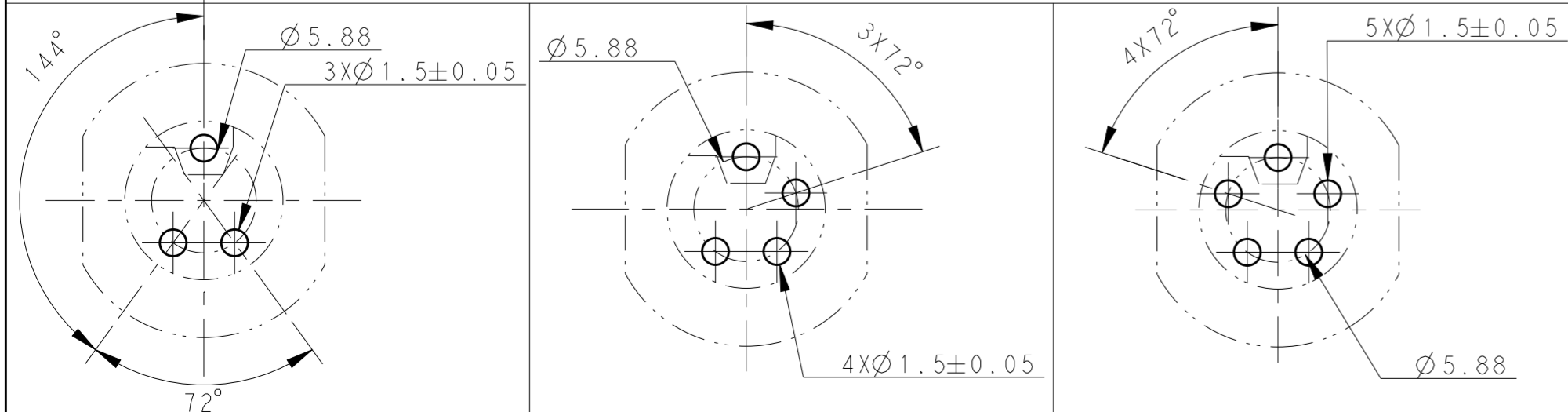
- NOTE:
1. TECHNICAL DATA: SEE TABLE 1
 2. RECOMMENDED PANEL CUTOUT AND PCB LAYOUT SEE DETAIL
 3. PRODUCT COMPLIES WITH IEC61076-2-111
 4. ALL MATERIALS TO BE ROHS COMPLIANT
 5. ALL MATERIALS TO BE REACH COMPLIANT
 6. PACKAGING: 1 PIECE IN A BAG
 7. ALL DIMENSIONS ARE FOR NOMINAL REFERENCE ONLY UNLESS OTHERWISE STATED

- 注释:
1. 技术参数, 见表1
 2. 推荐面板及PCB开孔尺寸详见如图所示
 3. 产品符合标准 IEC61076-2-111
 4. 所有材料符合ROHS参照标准TEC-138-705
 5. 所有材料符合REACH参照标准TEC-138-705
 6. 包装: 1PCS/袋
 7. 所有尺寸仅供参考, 除非另有说明

PIN ARRANGEMENT L-CODE



RECOMMENDED DRILLING DIAGRAM



T4141L12031-000	RPC-M12L-FF-3CON-PG9-LBU	3
T4141L12041-000	RPC-M12L-FF-4CON-PG9-LBU	4
T4141L12051-000	RPC-M12L-FF-5CON-PG9-LBU	5

PART NUMBER	TYPE	POS.
GOLD PLATED	COPPER ALLOY CONTACT	5
NICKEL PLATED	COPPER ALLOY METAL NUT	4
BLACK	RUBBER O-RING	3
NICKEL PLATED	COPPER ALLOY M12, FEMALE, METAL BODY	2
-	LCP M12, FEMALE HSG	1
OTHERS	MATERIAL	DESCRIPTION
		ITEM

THIS DRAWING IS A CONTROLLED DOCUMENT.

DWN	12JUN2018	TE Connectivity	
CHK	12JUN2018		
APVD	12JUN2018		
PRODUCT SPEC	108-137350		
APPLICATION SPEC	114-137144	NAME	M12 PANEL MOUNT CONNECTOR L CODE, FEMALE, REAR MOUNT, PCB SOLDERING
MATERIAL		SIZE	A2
		CAGE CODE	00779
		DRAWING NO	C-T4141L120X1000
		RESTRICTED TO	B
CUSTOMER DRAWING		SCALE	3:1
		SHEET	1 OF 1
		REV	B