

File E66717
SR#5975412-T004

May 09, 1984

REPORT

On

COMPONENT - ELECTRICAL QUICK-CONNECT TERMINALS

TYCO ELECTRONICS CORP
HARRISBURG PA 17111

Copyright © 1984 Underwriters Laboratories Inc.

Underwriters Laboratories Inc. authorizes the above named company to reproduce this Report either in its entirety or the portion of this Report consisting of the Cover Page up to (but not including) the Construction Details Descriptive pages.

D E S C R I P T I O NPRODUCT COVERED:

Component quick-connect connectors for Tabs, Faston Series 110, 187, 205, 250. (For specific part nos. see manufacturer's drawings.)

Component quick-connect tabs, Series .250, cat. nos. contained in manufacturer's drawings.

USR, CNR - FASTON Quick-Connect Connectors for copper alloy tabs, Series 250, Cat. No. 1217080-1.

GENERAL CHARACTER AND USE:

The products covered are quick-connect connectors intended for factory assembly on No. 22-10 AWG stranded copper wire using this manufacturer's power tooling. They are intended for use in equipment where strain relief is provided. The quick-connect connectors are for use on the following copper *alloy production tabs, assembled with the specified tooling.

Wire Size (AWG)Number of Strands

No. 10	105
No. 12	65
No. 14	41
No. 16	26
No. 18	16
No. 20	10
No. 22	7

Part No. 160883 is similar to Part No. 160430, except without slots provided on the connector end. See Ill. 18 for details.

Series .250 tabs are copper alloy production tabs mounted by integrally formed pins. They are for use with size .250 quick-connect connectors. See Ills. 19-25 inclusive for details. Series 250 tabs are for factory-wiring.

ENGINEERING CONSIDERATIONS (NOT FOR UL REPRESENTATIVE USE):

These devices are for use in equipment where the acceptability of the combination is determined by Underwriters Laboratories Inc.

Conditions of Acceptability - The following items are to be judged with respect to specific applications in their end use.

1. These devices are not to be used for current interruption on grounding purposes.
2. These devices are for use where strain relief is provided as part of the equipment.
3. These devices are for internal wiring only in electrical equipment.
4. The mounting suitability of the Series .250 tabs shall be determined in the end-use equipment.
5. **The mounting suitability of the Cat. No. 1217080-1 shall be determined in the end-use equipment.**

CONSTRUCTION DETAILS:

The details of construction are illustrated in the following catalog pages and accompanying photographs.

Material - All quick-connect connectors covered by this report may be constructed with copper alloy, C260 or C274.

Marking - Each connector or tab is marked with the manufacturer's name or trademark. The smallest unit cartons or reels are marked with:

1. The manufacturer's name or trademark.
2. Part No. Note: Leading zeros of Part Nos. are optional.
3. Wire sizes (connectors only).
4. A statement indicating that the connectors are "for use with Cu wire" or equivalent, (connectors only).

PART NO. 0-160526-5

FIG. 1 (M84-4010)

General - The quick-connectors shown in Fig. 1 are representative of the connectors Recognized in this report. For specific catalog numbers, wire and tab sizes, refer to illustrations.

B.L.

J.P.

PART NO. 1217080-1

ILL. 35

1. Connector Body - Tin plated brass. See ILL. 35 for dimensional details.

E 667 17


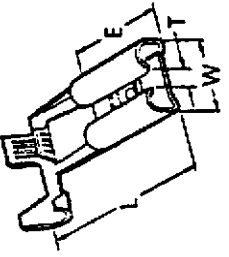


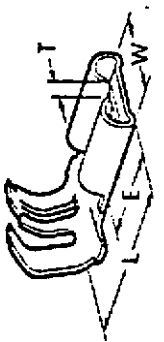
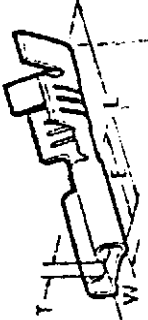
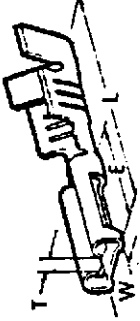

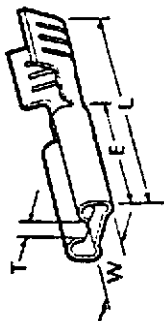
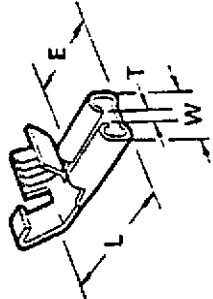
VOL. I
AND

SEC. I
REPORT

FIG. I



File	66717
Vol.	4
Sec.	1 and Report
Ill.	1
Iss.	5-9-84

	1		2		3		4		5		6		7		8		9		10
---	---	---	---	--	---	---	---	---	---	---	---	---	---	--	---	---	---	---	----

meor(123)

File 66717 Vol.4 Sec.1 and Report III.2 Iss. 5-9-84

*** RECEIPTABLE 110 SERIES FASTON ***

DATE: 04/29/83	FIG. NO.	RA N G E WIRE	TAB THK.	M A T E R I A L TYPE	F I N I S H	D I M E N S I O N S W L E	U S E Q U I V A L E N T PART NUMBER	R E M A R K S OR NOTES
0-140716-1	6	0.2-0.35	1.0-1.5	0.50	0.25 BRASS	3.7 16.1	0-042067-1	3&4
0-140716-2	6	0.2-0.35	1.0-1.5	0.50	0.25 BRASS	3.7 16.1	0-042067-1	3&4
0-140716-3	6	0.2-0.35	1.0-1.5	0.40	0.25 BRASS	3.7 16.1	0-042067-1	3&4
0-140716-4	6	0.2-0.35	1.0-1.5	0.40	0.25 BRASS	3.7 16.1	0-042067-1	3&4
0-140717-1	6	0.3-0.8	1.5-2.5	0.80	0.25 BRASS	3.7 16.1	0-060197-1	3
0-140717-2	6	0.3-0.8	1.5-2.5	0.80	0.25 BRASS	3.7 16.1	0-060197-1	2
0-140717-3	6	0.3-0.8	1.5-2.5	0.80	0.25 BRASS	3.7 16.1	0-060197-1	3
0-140717-4	6	0.3-0.8	1.5-2.5	0.80	0.25 BRASS	3.7 16.1	0-060197-1	3
0-140819-2	6	0.3-0.8	1.5-2.5	0.80	0.25 STEEL	3.7 16.1		3
0-141352-1	10	0.3-0.8	1.7-2.5	0.50	0.25 BRASS	3.7 7.4		3
0-141352-2	10	0.3-0.8	1.7-2.5	0.50	0.25 BRASS	3.7 7.4		3
0-141352-3	10	0.3-0.8	1.7-2.5	0.80	0.25 BRASS	3.7 7.4		3
0-141352-4	10	0.3-0.8	1.7-2.5	0.80	0.25 BRASS	3.7 7.4		3
0-141352-5	10	0.3-0.8	1.7-2.5	0.80	0.25 BRONZE	3.7 7.4		3
0-141352-6	10	0.3-0.8	1.7-2.5	0.80	0.25 BRONZE	3.7 7.4		3
0-141352-7	10	0.3-0.8	1.7-2.5	0.50	0.25 BRASS	3.7 7.4		3
0-141352-8	10	0.3-0.8	1.7-2.5	0.50	0.25 BRASS	3.7 7.4		3
0-141352-9	10	0.3-0.8	1.7-2.5	0.50	0.25 BRASS	3.7 7.4		3
0-150500-1	6	0.2-0.6	2.0-3.0	0.50	0.25 BRASS	3.7 15.3	0-042068-0	4
0-150500-2	6	0.2-0.6	2.0-3.0	0.50	0.25 BRASS	3.7 15.3	0-042068-1	4
0-150500-3	6	0.2-0.6	2.0-3.0	0.50	0.25 BRASS	3.7 15.3	0-042068-5	4
0-150500-4	6	0.2-0.6	2.0-3.0	0.50	0.25 BRASS	3.7 15.3	0-042068-1	4
0-150500-5	6	0.2-0.6	2.0-3.0	0.50	0.25 BRASS	3.7 15.3	0-042068-6	4
0-150500-6	6	0.2-0.6	2.0-3.0	0.50	0.25 BRONZE	3.7 15.3	0-042068-3	4
0-150500-7	6	0.2-0.6	2.0-3.0	0.50	0.25 BRASS	3.7 15.3	0-042068-1	4
0-150501-1	6	0.2-0.6	2.0-3.0	0.40	0.25 BRASS	3.7 15.3	0-042068-0	4
0-150501-2	6	0.2-0.6	2.0-3.0	0.40	0.25 BRASS	3.7 15.3	0-042068-1	4
0-150545-1	6	0.2-0.6	2.0-3.0	0.80	0.25 BRASS	3.7 15.4	0-042068-0	4
0-150545-2	6	0.2-0.6	2.0-3.0	0.80	0.25 BRASS	3.7 15.4	0-060197-1	4
0-150545-3	6	0.2-0.6	2.0-3.0	0.80	0.25 BRASS	3.7 15.4	0-060197-1	4
0-150545-4	6	0.2-0.6	2.0-3.0	0.80	0.25 BRASS	3.7 15.4	0-042068-6	4
0-150545-5	6	0.2-0.6	2.0-3.0	0.80	0.25 BRONZE	3.7 15.4	0-042068-3	4
0-150545-6	6	0.2-0.6	2.0-3.0	0.80	0.25 BRONZE	3.7 15.4	0-042068-4	4
0-150545-7	6	0.2-0.6	2.0-3.0	0.80	0.25 BRONZE	3.7 15.4	0-042068-5	4
0-150545-8	6	0.2-0.6	2.0-3.0	0.80	0.25 BRASS	3.7 15.4	0-042068-0	4
0-150577-1	6	0.2-0.6	2.0-3.0	0.23	0.25 BRASS	3.7 15.4	0-042068-0	4

NOTE 1=LOOSE PIECE WIRE BARREL PRE CRIMPED
 NOTE 2=LOOSE PIECE WIRE AND INSULATION BARREL PRE CRIMPED
 NOTE 3=SPLICE FREE REELED
 NOTE 4=WITH CHAMFER AROUND FRONT OF RECEPTACLE

File 66717 Vol. 4 Sec. 1 and Report Tr. 3 Iss. 5-9-84

*** RECEPTACLE 110 SERIES FASTON ***

DATE: 04/29/83
 CATALOC NO. FIG. RANGE WIRE INSUL. TAB MATERIAL THK. TYPE FINISH DIMENSIONS W L E N E A R E S T
 STRIP LOOSE PIECE 6 0.2-0.6 2.0-3.0 0.23 0.25 BRASS TIN 3.7 15.4 6.4 0.7 0-042068-1 Y
 US EQUIVALENT PARTNUMBER UL R E M A R K S
 OR NOTES

DATE	CATALOC NO.	FIG.	RANGE	WIRE	INSUL.	TAB	MATERIAL	THK.	TYPE	FINISH	W	L	E	N E A R E S T	US EQUIVALENT	PARTNUMBER	UL	R E M A R K S	OR NOTES
0-150577-2	0-150363-2	6	0.2-0.6	2.0-3.0	0.23	0.25	BRASS	TIN	3.7	15.4	6.4	0.7	0-042068-1	Y					
0-150651-1	0-150725-1	6	0.2-0.6	2.0-3.0	0.30	0.25	BRASS	TIN	3.7	15.4	6.4	0.7	0-042068-0	Y					
0-150651-2	0-150725-2	6	0.2-0.6	2.0-3.0	0.30	0.25	BRASS	TIN	3.7	15.4	6.4	0.7	0-042068-1	Y					
0-151614-1		9	0.2-0.6		0.50	0.25	BRASS	PRETIN	3.5	7.7	3.6	0.7	0-062668-1	Y					
0-151614-2		9	0.2-0.6		0.50	0.25	BRASS	PRETIN	3.5	7.7	3.6	0.7	0-042399-2	Y					
0-151614-3		9	0.2-0.6		0.23	0.25	BRASS	PRETIN	3.5	7.7	3.6	0.7	0-062668-1	Y					
0-151614-4		9	0.2-0.6		0.23	0.25	BRASS	PRETIN	3.5	7.7	3.6	0.7	0-042399-1	Y					
0-151614-5		9	0.2-0.6		0.80	0.25	BRASS	PRETIN	3.5	7.7	3.6	0.7	0-060601-1	Y					
0-151614-6		9	0.2-0.6		0.80	0.25	BRASS	PRETIN	3.5	7.7	3.6	0.7	0-062668-1	Y					
0-151614-7		9	0.2-0.6		0.46	0.25	BRASS	PRETIN	3.5	7.7	3.6	0.7	0-042399-2	Y					
0-151614-8		9	0.2-0.6		0.46	0.25	BRASS	PRETIN	3.5	7.7	3.6	0.7	0-062668-1	Y					
0-151614-9		9	0.2-0.6		0.30	0.25	BRASS	PRETIN	3.5	7.7	3.6	0.7	0-062668-1	Y					
1-151614-1		9	0.2-0.6		0.30	0.25	BRASS	PRETIN	3.5	7.7	3.6	0.7	0-042399-1	Y					
1-151614-2		9	0.2-0.6		0.30	0.25	BRASS	PRETIN	3.5	7.7	3.6	0.7	0-062668-1	Y					
1-151614-3		9	0.2-0.6		0.46	0.25	BRASS	PRETIN	3.5	7.7	3.6	0.7	0-062668-1	Y					
1-151614-4		9	0.2-0.6		0.46	0.25	BRASS	PRETIN	3.5	7.7	3.6	0.7	0-042399-1	Y					
1-151614-5		9	0.2-0.6		0.46	0.25	BRASS	PRETIN	3.5	7.7	3.6	0.7	0-042399-1	Y					
1-151614-6		9	0.2-0.6		0.40	0.25	BRASS	PRETIN	3.5	7.7	3.6	0.7	0-062668-1	Y					
1-151614-7		9	0.2-0.6		0.50	0.25	BRASS	SILVER	3.5	7.7	3.6	0.7	0-042399-1	Y					
0-154663-1		6	0.3-0.6		0.30	0.25	BRASS	PRETIN	3.5	7.7	3.6	0.7	0-062668-1	Y					
0-154663-2		6	0.3-0.6		0.50	0.25	BRASS	PRETIN	3.5	7.7	3.6	0.7	0-062668-1	Y					
0-160196-1	0-160306-1	6	0.3-0.6	1.3-2.0	0.80	0.25	BRASS	TIN	3.7	14.0	6.3	0.7	0-062668-1	Y					
0-160196-2	0-160306-2	6	0.3-0.6	1.3-2.0	0.80	0.25	BRASS	SILVER	3.7	14.0	6.3	0.7	0-062668-1	Y					
0-160196-3	0-160306-3	6	0.3-0.6	1.3-2.0	0.80	0.25	BRASS	GOLD	3.7	14.0	6.3	0.7	0-062668-1	Y					
0-160196-4	0-160306-4	6	0.3-0.6	1.3-2.0	0.80	0.25	BRASS	TIN	3.7	14.0	6.3	0.7	0-062668-1	Y					
5-160196-1	5-160306-1	6	0.3-0.6	1.3-2.0	0.80	0.25	BRASS	TIN	3.7	14.0	6.3	0.7	0-062668-1	Y					
5-160196-2	5-160306-2	6	0.3-0.6	1.3-2.0	0.80	0.25	BRASS	SILVER	3.7	14.0	6.3	0.7	0-062668-1	Y					
5-160196-3	5-160306-3	6	0.3-0.6	1.3-2.0	0.80	0.25	BRASS	GOLD	3.7	14.0	6.3	0.7	0-062668-1	Y					
5-160196-4	5-160306-4	6	0.3-0.6	1.3-2.0	0.80	0.25	BRASS	TIN	3.7	14.0	6.3	0.7	0-062668-1	Y					
0-160303-1	0-160321-1	6	0.3-0.6	1.3-2.0	0.80	0.25	BRASS	TIN	3.7	14.0	6.3	0.8	0-062426-1	N					
0-160303-2	0-160321-2	6	0.3-0.6	1.3-2.0	0.80	0.25	BRASS	SILVER	3.7	14.0	6.3	0.8	0-062426-1	N					
0-160303-3	0-160321-3	6	0.3-0.6	1.3-2.0	0.80	0.25	BRASS	GOLD	3.7	14.0	6.3	0.8	0-062426-1	N					
0-160303-4	0-160321-4	6	0.3-0.6	1.3-2.0	0.80	0.25	BRASS	TIN	3.7	14.0	6.3	0.8	0-062426-1	N					
0-160303-5	0-160321-5	6	0.3-0.6	1.3-2.0	0.80	0.25	BRASS	TIN	3.7	14.0	6.3	0.8	0-062426-1	N					
0-160303-6	0-160321-6	6	0.3-0.6	1.3-2.0	0.80	0.25	BRASS	TIN	3.7	14.0	6.3	0.8	0-062426-1	N					
0-160303-7	0-160321-7	6	0.3-0.6	1.3-2.0	0.80	0.25	BRASS	TIN	3.7	14.0	6.3	0.8	0-062426-1	N					
0-160303-8	0-160321-8	6	0.3-0.6	1.3-2.0	0.80	0.25	BRASS	TIN	3.7	14.0	6.3	0.8	0-062426-1	N					
0-160303-9	0-160321-9	6	0.3-0.6	1.3-2.0	0.80	0.25	BRASS	TIN	3.7	14.0	6.3	0.8	0-062426-1	N					
1-160303-0	1-160321-0	6	0.3-0.6	1.3-2.0	0.80	0.25	BRASS	PRETIN	3.7	14.0	6.3	0.8	0-062426-1	N					
5-160303-1	5-160321-1	6	0.3-0.6	1.3-2.0	0.80	0.25	BRASS	PRETIN	3.7	14.0	6.3	0.8	0-062426-1	N					
5-160303-2	5-160321-2	6	0.3-0.6	1.3-2.0	0.80	0.25	BRASS	TIN	3.7	14.0	6.3	0.8	0-062426-1	N					

NOTE 1=LOOSE PIECE WIRE BARREL PRE CRIMPED
 NOTE 2=LOOSE PIECE WIRE AND INSULATION BARREL PRE CRIMPED
 NOTE 3=SPLICE FREE REELED
 NOTE 4=WITH CHAMFER AROUND FRONT OF RECEPTACLE

File 66717 Vol. 4 Sec. 1 and Report

III. 4 Iss. 5-9-84

*** RECEPTACLE 110 SERIES FASTON ***

DATE: 04/29/83	CAT LOG NO.	FIG.	WIRE	RANGE	INSUL.	TAB	MATERIAL	FINISH	W	L	DIMENSIONS	US EQUIVALENT	REMARKS
STRIP	LOOSE PIECE					THK.	TYPE					PARTNUMBER	OR NOTES
5-160303-3	5-160321-9	6	0.3-0.6	1.3-2.0		0.80	0.25 BRASS	SILVER	3.7	14.0	6.3	0.8	4
5-160303-4	5-160321-4	6	0.3-0.6	1.3-2.0		0.80	0.25 BRASS	GOLD	3.7	14.0	6.3	0.8	4
5-160303-5	5-160321-6	6	0.3-0.6	1.3-2.0		0.80	0.25 BRASS	TIN	3.7	14.0	6.3	0.8	4
5-160303-6	5-160321-7	6	0.3-0.6	1.3-2.0		0.80	0.25 BRASS	TIN	3.7	14.0	6.3	0.8	3&4
5-160303-7	5-160321-8	6	0.3-0.6	1.3-2.0		0.80	0.25 BRASS	TIN	3.7	14.0	6.3	0.8	3&4
5-160303-8	5-160321-9	6	0.3-0.6	1.3-2.0		0.80	0.25 BRASS	PRETIN	3.7	14.0	6.3	0.8	4
5-160303-9	6-160321-0	6	0.3-0.6	1.3-2.0		0.80	0.25 BRASS	PRETIN	3.7	14.0	6.3	0.8	4
5-160303-0													
0-160315-1	0-160322-1	6	0.3-0.6	1.3-2.0		0.40	0.25 BRASS	TIN	3.7	14.0	6.3	0.8	
0-160315-2	0-160322-2	6	0.3-0.6	1.3-2.0		0.40	0.25 BRASS	SILVER	3.7	14.0	6.3	0.8	
0-160315-3	0-160322-3	6	0.3-0.6	1.3-2.0		0.40	0.25 BRASS	TIN	3.7	14.0	6.3	0.8	
5-160315-1	5-160322-1	6	0.3-0.6	1.3-2.0		0.40	0.25 BRASS	TIN	3.7	14.0	6.3	0.8	4
5-160315-2	5-160322-2	6	0.3-0.6	1.3-2.0		0.40	0.25 BRASS	SILVER	3.7	14.0	6.3	0.8	4
5-160315-3	5-160322-3	6	0.3-0.6	1.3-2.0		0.40	0.25 BRASS	TIN	3.7	14.0	6.3	0.8	3&4
5-160315-4		6	0.3-0.6	1.3-2.0		0.40	0.25 BRASS	TIN	3.7	14.0	6.3	0.8	3&4
5-160315-5		6	0.3-0.6	1.3-2.0		0.40	0.25 BRASS	TIN	3.7	14.0	6.3	0.8	3&4

0-160316-1	0-160323-1	6	0.3-0.6	1.3-2.0		0.50	0.25 BRASS	TIN	3.7	14.0	6.3	0.8	Y
0-160316-2	0-160323-2	6	0.3-0.6	1.3-2.0		0.50	0.25 BRASS	SILVER	3.7	14.0	6.3	0.8	Y
0-160316-3	0-160323-3	6	0.3-0.6	1.3-2.0		0.50	0.25 BRASS	GOLD	3.7	14.0	6.3	0.8	Y
0-160316-4	0-160323-4	6	0.3-0.6	1.3-2.0		0.50	0.25 BRASS	TIN	3.7	14.0	6.3	0.8	Y
0-160316-5	0-160323-5	6	0.3-0.6	1.3-2.0		0.50	0.25 BRASS	TIN	3.7	14.0	6.3	0.8	Y
0-160316-6	0-160323-6	6	0.3-0.6	1.3-2.0		0.50	0.25 BRASS	GOLD	3.7	14.0	6.3	0.8	Y
0-160316-7		6	0.3-0.6	1.3-2.0		0.50	0.25 BRASS	TIN	3.7	14.0	6.3	0.8	Y
0-160316-8		6	0.3-0.6	1.3-2.0		0.50	0.25 BRASS	GOLD	3.7	14.0	6.3	0.8	Y
0-160316-9		6	0.3-0.6	1.3-2.0		0.50	0.25 BRASS	PRETIN	3.7	14.0	6.3	0.8	Y
1-160316-0	0-160323-8	6	0.3-0.6	1.3-2.0		0.50	0.25 BRASS	PRETIN	3.7	14.0	6.3	0.8	Y
5-160316-1	5-160323-1	6	0.3-0.6	1.3-2.0		0.50	0.25 BRASS	TIN	3.7	14.0	6.3	0.8	Y
5-160316-2	5-160323-2	6	0.3-0.6	1.3-2.0		0.50	0.25 BRASS	SILVER	3.7	14.0	6.3	0.8	Y
5-160316-3	5-160323-3	6	0.3-0.6	1.3-2.0		0.50	0.25 BRASS	GOLD	3.7	14.0	6.3	0.8	Y
5-160316-4	5-160323-4	6	0.3-0.6	1.3-2.0		0.50	0.25 BRASS	TIN	3.7	14.0	6.3	0.8	Y
5-160316-5	5-160323-5	6	0.3-0.6	1.3-2.0		0.50	0.25 BRASS	SILVER	3.7	14.0	6.3	0.8	Y
5-160316-6	5-160323-6	6	0.3-0.6	1.3-2.0		0.50	0.25 BRASS	GOLD	3.7	14.0	6.3	0.8	Y
5-160316-7		6	0.3-0.6	1.3-2.0		0.50	0.25 BRASS	TIN	3.7	14.0	6.3	0.8	Y
5-160316-8		6	0.3-0.6	1.3-2.0		0.50	0.25 BRASS	GOLD	3.7	14.0	6.3	0.8	Y
5-160316-9		6	0.3-0.6	1.3-2.0		0.50	0.25 BRASS	PRETIN	3.7	14.0	6.3	0.8	Y
6-160316-0	5-160323-8	6	0.3-0.6	1.3-2.0		0.50	0.25 BRASS	PRETIN	3.7	14.0	6.3	0.8	Y

NOTE 1=LOOSE PIECE WIRE BARREL PRE CRIMPED
 NOTE 2=LOOSE PIECE WIRE AND INSULATION BARREL PRE CRIMPED
 NOTE 3=SPLICE FREE REELED
 NOTE 4=WITH CHAMFER AROUND FRONT OF RECEPTACLE

66717-39

File ^E66717 Vol. 4 Sec. 1
and Report

III. 5 Iss. 5-9-84

- 4 -

*** RECEPTACLE 110 SERIES FASTON ***

DATE: 04/29/83
C A T A L O G N O .
STRIP LOOSE PIECE

FIG. WIRE R A N G E INSUL.
M A T E R I A L T H K . M A T E R I A L F I N I S H D I M E N S I O N S

N E A R E S T
US EQUIVALENT
PARTNUMBER UL O R N O T E S

FIG.	WIRE	R A N G E	INSUL.	TAB	T H K .	M A T E R I A L	F I N I S H	D I M E N S I O N S	N E A R E S T	US EQUIVALENT	PARTNUMBER UL O R N O T E S
0-160415-1	0.5-1.0	2.0-3.1	0.40	0.25	BRASS	TIN	3.7 14.0	6.3 0.8		0-060118-1	N
0-160415-2	0.5-1.0	2.0-3.1	0.40	0.25	BRASS	SILVER	3.7 14.0	6.3 0.8			
0-160415-3	0.5-1.0	2.0-3.1	0.40	0.25	STEEL	NICKEL	3.7 14.0	6.3 0.8			
0-160415-4	0.5-1.0	2.0-3.1	0.40	0.25	STEEL	NICKEL	3.7 14.0	6.3 0.8			
0-160415-5	0.5-1.0	2.0-3.1	0.40	0.25	STEEL	NICKEL	3.7 14.0	6.3 0.8			
0-160424-1	0.5-1.0	2.0-3.1	0.30	0.25	BRASS	TIN	3.7 14.0	6.3 0.8			
0-160424-2	0.5-1.0	2.0-3.1	0.30	0.25	BRASS	SILVER	3.7 14.0	6.3 0.8			
0-160424-3	0.5-1.0	2.0-3.1	0.30	0.25	BRASS	SILVER	3.7 14.0	6.3 0.8			
0-160484-1	0.5-1.0	2.0-3.1	0.50	0.25	BRASS	TIN	3.7 14.0	6.3 0.8		0-061408-1	Y
0-160484-2	0.5-1.0	2.0-3.1	0.50	0.25	BRASS	SILVER	3.7 14.0	6.3 0.8			
0-160484-3	0.5-1.0	2.0-3.1	0.50	0.25	BRASS	TIN	3.7 14.0	6.3 0.8		0-061408-1	Y
0-160484-4	0.5-1.0	2.0-3.1	0.50	0.25	BRASS	GOLD	3.7 14.0	6.3 0.8			
0-160484-5	0.5-1.0	2.0-3.1	0.50	0.25	BRASS	TIN	3.7 14.0	6.3 0.8			
0-160484-6	0.5-1.0	2.0-3.1	0.50	0.25	BRASS	PRETIN	3.7 14.0	6.3 0.8			
0-160484-7	0.5-1.0	2.0-3.1	0.50	0.25	BRASS	PRETIN	3.7 14.0	6.3 0.8			
0-160528-1	0.5-1.1	2.0-3.6	0.50	0.25	BRASS	TIN	3.7 14.0	6.3 0.7		0-061408-0	Y
0-160528-2	0.5-1.1	2.0-3.6	0.50	0.25	BRASS	SILVER	3.7 14.0	6.3 0.7			
0-160528-3	0.5-1.1	2.0-3.6	0.50	0.25	BRASS	TIN	3.7 14.0	6.3 0.7			
0-160528-4	0.5-1.1	2.0-3.6	0.50	0.25	BRASS	TIN	3.7 14.0	6.3 0.7			
0-160533-1	0.5-1.0	2.0-3.1	0.50	0.25	BRASS	TIN	3.7 14.0	6.3 0.8		0-061408-1	Y
0-160533-2	0.5-1.0	2.0-3.1	0.50	0.25	BRASS	SILVER	3.7 14.0	6.3 0.8			
0-160533-3	0.5-1.0	2.0-3.1	0.50	0.25	BRASS	PRETIN	3.7 14.0	6.3 0.8			
0-160533-4	0.5-1.0	2.0-3.1	0.50	0.25	BRASS	PRETIN	3.7 14.0	6.3 0.8			
0-160533-9	0.5-1.0	2.0-3.1	0.50	0.25	BRASS	PRETIN	3.7 14.0	6.3 0.8			
0-160626-1	0.5-1.0	2.0-3.1	0.80	0.25	BRASS	TIN	3.7 14.0	6.3 0.8		0-062426-1	Y
0-160626-2	0.5-1.0	2.0-3.1	0.80	0.25	BRASS	SILVER	3.7 14.0	6.3 0.8		0-062426-1	Y
0-160626-3	0.5-1.0	2.0-3.1	0.80	0.25	BRASS	PRETIN	3.7 14.0	6.3 0.8			
0-160534-4	0.5-1.0	2.0-3.1	0.80	0.25	BRASS	PRETIN	3.7 14.0	6.3 0.8		0-062426-1	Y
0-160534-5	0.5-1.0	2.0-3.1	0.80	0.25	BRASS	TIN	3.7 14.0	6.3 0.8		0-062426-1	Y
0-160534-6	0.5-1.0	2.0-3.1	0.80	0.25	BRASS	TIN	3.7 14.0	6.3 0.8		0-062426-1	Y
0-160534-7	0.5-1.0	2.0-3.1	0.80	0.25	BRASS	PRETIN	3.7 14.0	6.3 0.8			
0-160534-8	0.5-1.0	2.0-3.1	0.80	0.25	BRASS	PRETIN	3.7 14.0	6.3 0.8			
0-160534-9	0.5-1.0	2.0-3.1	0.80	0.25	BRASS	PRETIN	3.7 14.0	6.3 0.8			
0-160555-1	0.5-1.0	2.0-3.1	0.80	0.25	BRASS	TIN	3.7 14.0	6.3 0.8		0-062426-1	Y
0-160555-2	0.5-1.0	2.0-3.1	0.80	0.25	BRASS	SILVER	3.7 14.0	6.3 0.8		0-062426-1	Y
0-160555-3	0.5-1.0	2.0-3.1	0.80	0.25	BRASS	PRETIN	3.7 14.0	6.3 0.8			
0-160555-4	0.5-1.0	2.0-3.1	0.80	0.25	BRASS	PRETIN	3.7 14.0	6.3 0.8		0-062426-1	Y
0-160555-5	0.5-1.0	2.0-3.1	0.80	0.25	BRASS	PRETIN	3.7 14.0	6.3 0.8		0-062426-1	Y
0-160555-6	0.5-1.0	2.0-3.1	0.80	0.25	BRASS	PRETIN	3.7 14.0	6.3 0.8		0-062426-1	Y

NOTE 1=LOOSE PIECE WIRE BARREL FIRE CRIMPED
NOTE 2=LOOSE PIECE WIRE AND INSULATION BARREL FIRE CRIMPED
NOTE 3=SPLICE FREE REELED
NOTE 4=WITH CHAMFER AROUND FRONT OF RECEPTACLE

Mod. 67035

File E66717 Vol. 4 Sec. 1 and Report

Tr. 6 Iss. 5-9-84

*** RECEPTACLE 110 SERIES FASTON ***

DATE: 04/29/83
 CATALOG NO. LOOSE PIECE
 FIG. WIRE
 R A N G E
 INSUL.

TAB THK. M A T E R I A L
 FINISH

D I M E N S I O N S
 W L

U S E Q U I V A L E N T
 P A R T N U M B E R U L

R E M A R K S
 O R N O T E S

DATE: 04/29/83	CATALOG NO. LOOSE PIECE	FIG.	WIRE	R A N G E	INSUL.	TAB THK.	M A T E R I A L	FINISH	D I M E N S I O N S	W L	U S E Q U I V A L E N T	P A R T N U M B E R U L	R E M A R K S	O R N O T E S
0-160555-7	0-160556-2	6	0.5-1.0	2.0-3.1	0.80	0.25	BRASS	TIN	3.7	14.0	0.8	0-062050-1	Y	3
0-160555-8	0-160556-4	6	0.5-1.0	2.0-3.1	0.80	0.25	BRONZE	PRETIN	3.7	14.0	0.8			3
0-160555-9		6	0.5-1.0	2.0-3.1	0.80	0.25	BRONZE	PRETIN	3.7	14.0	0.8	0-062426-1	Y	4
5-160555-1	5-160556-1	6	0.5-1.0	2.0-3.1	0.80	0.25	BRASS	TIN	3.7	14.0	0.8	0-062050-1	Y	4
5-160555-2	5-160556-3	6	0.5-1.0	2.0-3.1	0.80	0.25	BRASS	SILVER	3.7	14.0	0.8			4
5-160555-3	5-160556-4	6	0.5-1.0	2.0-3.1	0.80	0.25	BRONZE	PRETIN	3.7	14.0	0.8	0-062050-1	Y	4
5-160555-4		6	0.5-1.0	2.0-3.1	0.80	0.25	BRASS	PRETIN	3.7	14.0	0.8	0-062426-1	Y	384
5-160555-5		6	0.5-1.0	2.0-3.1	0.80	0.25	BRASS	TIN	3.7	14.0	0.8	0-062050-1	Y	384
5-160555-6	5-160556-1	6	0.5-1.0	2.0-3.1	0.80	0.25	BRASS	TIN	3.7	14.0	0.8			4
5-160555-7	5-160556-2	6	0.5-1.0	2.0-3.1	0.80	0.25	BRONZE	PRETIN	3.7	14.0	0.8			4
5-160555-8	5-160556-4	6	0.5-1.0	2.0-3.1	0.80	0.25	BRONZE	PRETIN	3.7	14.0	0.8			4
5-160555-9		6	0.5-1.0	2.0-3.1	0.80	0.25	BRONZE	PRETIN	3.7	14.0	0.8			4
0-160597-1	0-160628-1	6	0.05-0.15	0.8-1.3	0.50	0.25	BRASS	TIN	3.7	14.0	0.7	0-062585-1	N	
0-160597-2	0-160628-2	6	0.05-0.15	0.8-1.3	0.50	0.25	BRASS	SILVER	3.7	14.0	0.7			
0-160597-3	0-160628-3	6	0.05-0.15	0.8-1.3	0.50	0.25	BRASS	TIN	3.7	14.0	0.7	0-062585-1	N	3
0-160597-4	0-160628-2	6	0.05-0.15	0.8-1.3	0.50	0.25	BRASS	TIN	3.7	14.0	0.7			
0-160600-1	0-160601-1	6	0.05-0.15	0.8-1.3	0.40	0.25	BRASS	TIN	3.8	14.0	0.7	0-042847-1	N	
0-160600-2	0-160601-2	6	0.05-0.15	0.8-1.3	0.40	0.25	BRASS	SILVER	3.8	14.0	0.7	0-0622585-1	N	
0-160600-3	0-160601-3	6	0.05-0.15	0.8-1.3	0.40	0.25	BRASS	SILVER	3.8	14.0	0.7			
0-160615-1		6	0.1-0.35	1.0-2.0	0.80	0.25	BRASS	TIN	3.7	14.0	0.8	0-060230-1	N	4
0-160615-2		6	0.1-0.35	1.0-2.0	0.80	0.25	BRASS	TIN	3.7	14.0	0.8			4
5-160615-1		6	0.1-0.35	1.0-2.0	0.80	0.25	BRASS	TIN	3.7	14.0	0.8			
5-160615-2		6	0.1-0.35	1.0-2.0	0.80	0.25	BRASS	TIN	3.7	14.0	0.8			
0-160666-1		6	0.1-0.35	0.9-1.7	0.50	0.25	BRONZE	GOLD	3.7	11.7	4.0			
0-160666-2		6	0.1-0.35	0.9-1.7	0.50	0.25	BRONZE	GOLD	3.7	11.7	4.0			
0-160666-3		6	0.1-0.35	0.9-1.7	0.50	0.25	BRASS	TIN	3.7	11.7	4.0			
0-160666-4		6	0.1-0.35	0.9-1.7	0.50	0.25	BRONZE	TIN	3.7	11.7	4.0			
0-160666-5		6	0.1-0.35	0.9-1.7	0.50	0.25	BRASS	TIN	3.7	11.7	4.0			
0-160718-1		6	0.5-1.0	2.0-3.6	0.50	0.25	BRASS	PRETIN	3.7	14.0	0.8	0-061400-1	Y	
0-160718-2		6	0.5-1.0	2.0-3.6	0.50	0.25	BRASS	SILVER	3.7	14.0	0.8			
0-160718-3		6	0.5-1.0	2.0-3.6	0.50	0.25	BRASS	PRETIN	3.7	14.0	0.8	0-061400-1	Y	3
0-160718-4		6	0.5-1.0	2.0-3.6	0.50	0.25	BRASS	PRETIN	3.7	14.0	0.8			
0-160718-5		6	0.5-1.0	2.0-3.6	0.50	0.25	BRONZE	PRETIN	3.7	14.0	0.8			
0-160737-1		6	0.05-0.15	0.8-1.3	0.80	0.25	BRASS	TIN	3.8	14.0	0.8	0-062426-1	N	
0-160737-2		6	0.05-0.15	0.8-1.3	0.80	0.25	BRASS	TIN	3.8	14.0	0.8			
0-160747-1	0-160768-1	7	0.1-0.2	0.8-1.3	0.50	0.25	BRASS	TIN	3.7	14.0	0.7			
0-160747-2	0-160768-2	7	0.1-0.2	0.8-1.3	0.50	0.25	BRASS	TIN	3.7	14.0	0.7			

NOTE 1=LOOSE PIECE WIRE BARREL PRE CRIMPED
 NOTE 2=LOOSE PIECE WIRE AND INSULATION BARREL PRE CRIMPED
 NOTE 3=SPICE FREE REELED
 NOTE 4=WITH CHAMFER AROUND FRONT OF RECEPTACLE

mcc 67636

File E66717 Vol. 4 Sec. 1
and Report

III. 7 Iss. 5-9-84

*** RECEPTACLE 110 SERIES FASTON ***

DATE: 04/29/83
C A T A L O G N O .
STRIP LOOSE PIECE

FIG. WIRE R A N G E
INSUL.

TAB THK. TYPE FINISH

D I M E N S I O N S
W L

M A T E R I A L

US EQUIVALENT
PARTNUMBER UL

R E M A R K S
O R N O T E S

FIG.	WIRE	R A N G E	TAB	THK.	TYPE	FINISH	D I M E N S I O N S	M A T E R I A L	US EQUIVALENT	PARTNUMBER UL	R E M A R K S
7	0.1-0.2	0.8-1.3	0.50	0.25	BRASS	TIN	3.7 14.0	6.3	0.7		4
7	0.1-0.2	0.8-1.3	0.50	0.25	BRASS	TIN	3.7 14.0	6.3	0.7		4
7	0.1-0.2	0.8-1.3	0.50	0.25	BRASS	TIN	3.7 14.0	6.3	0.7		4
6	0.1-0.35	1.0-2.0	0.50	0.25	BRASS	TIN	3.7 14.0	6.3	0.8	0-060089-1	N 4
6	0.1-0.35	1.0-2.0	0.50	0.25	BRASS	TIN	3.7 14.0	6.3	0.8	0-060089-2	N 4
6	0.1-0.35	1.0-2.0	0.50	0.25	BRASS	TIN	3.7 14.0	6.3	0.8	0-060089-2	N 3&4
6	0.1-0.35	1.0-2.0	0.50	0.25	BRASS	TIN	3.7 14.0	6.3	0.8		4
6	0.1-0.35	1.0-2.0	0.50	0.25	BRASS	TIN	3.7 14.0	6.3	0.8		3&4
6	0.1-0.35	1.0-2.0	0.80	0.25	BRASS	TIN	3.7 14.0	6.3	0.8	0-060089-1	Y 4
6	0.1-0.35	1.0-2.0	0.80	0.25	BRASS	TIN	3.7 14.0	6.3	0.8	0-060089-2	Y 4
6	0.1-0.35	1.0-2.0	0.80	0.25	BRASS	TIN	3.7 14.0	6.3	0.8	0-060089-2	Y 3&4
6	0.5-1.5	2.0-3.1	0.80	0.25	BRASS	TIN	3.7 14.0	6.3	0.7		3
6	0.5-1.5	2.0-3.1	0.80	0.25	BRASS	TIN	3.7 14.0	6.3	0.7		3
6	0.5-1.5	2.0-3.1	0.80	0.25	BRASS	TIN	3.7 14.0	6.3	0.7		3
6	0.5-1.5	2.0-3.1	0.80	0.25	BRASS	TIN	3.7 14.0	6.3	0.7	0-062050-1	Y 3
6	0.1-0.35	1.0-2.0	0.50	0.25	BRASS	TIN	3.7 14.0	6.3	0.8	0-060089-1	N 3&4
6	0.1-0.35	1.0-2.0	0.50	0.25	BRASS	TIN	3.7 14.0	6.3	0.8	0-060089-2	N 3&4
7	0.5-1.0	2.0-3.0	0.80	0.25	BRASS	TIN	3.7 14.0	6.3	0.8	0-062426-1	Y 3
7	0.5-1.0	2.0-3.0	0.80	0.25	BRASS	TIN	3.7 14.0	6.3	0.8	0-062050-1	Y 3
7	0.5-1.0	2.0-3.0	0.80	0.25	BRASS	TIN	3.7 14.0	6.3	0.8		3
7	0.5-1.0	2.0-3.0	0.80	0.25	BRASS	TIN	3.7 14.0	6.3	0.8		3
7	0.1-0.35	1.0-2.0	0.50	0.25	BRASS	TIN	3.7 14.0	6.3	0.8	0-060089-1	N 3&4
7	0.1-0.35	1.0-2.0	0.50	0.25	BRASS	TIN	3.7 14.0	6.3	0.8	0-060089-1	N 3&4
7	0.1-0.35	1.0-2.0	0.50	0.25	BRASS	TIN	3.7 14.0	6.3	0.8	0-060089-1	N 3&4
7	0.1-0.35	1.0-2.0	0.50	0.25	BRASS	TIN	3.7 14.0	6.3	0.8	0-060089-1	N 3&4

NOTE 1-LOOSE PIECE WIRE BARREL PRE CRIMPED
NOTE 2-LOOSE PIECE WIRE AND INSULATION BARREL PRE CRIMPED
NOTE 3-SPLICE FREE REELED
NOTE 4-WITH CHAMFER AROUND FRONT OF RECEPTACLE

File E66717 Vol. 4 Sec. 1 and Report

III. 8 Iss. 5-9-84

*** RECEPTACLE 187 SERIES FASTON ***

DATE: 04/29/83	FIG. NO.	R A N C E WIRE	INSUL.	TAB THK.	H A T E R J A L TYPE	D I M E N S I O N S W L E	N E A R E S T US EQUIVALENT PARTNUMBER UL	R E M A R K S O R N O T E S
0-140934-2	4	0.5-1.4		0.50	0.32 STEEL	5.6 12.1 6.4 1.5		
0-150634-1	5	0.5-1.4	2.8-4.3	0.50	0.32 BRONZE	5.6 13.5 6.4 1.0	0-042486-1	Y 3
0-150634-2	5	0.5-1.4	2.8-4.3	0.50	0.32 BRONZE	5.6 13.5 6.4 1.0		3
0-150680-1	5	0.5-1.4	2.8-4.3	0.80	0.32 BRONZE	5.6 13.5 6.4 1.0	0-062591-1	Y 3
0-150680-2	5	0.5-1.4	2.8-4.3	0.80	0.32 BRONZE	5.6 13.5 6.4 1.0		3
0-150699-1	5	0.5-1.4	2.8-4.3	0.80	0.32 BRASS	5.6 13.5 6.4 1.0	0-062591-1	Y 3
0-150699-2	5	0.5-1.4	2.8-4.3	0.80	0.32 BRASS	5.6 13.5 6.4 1.0		3
0-160429-1	1	1.0-2.5	3.0-4.3	0.80	0.32 BRASS	5.6 15.0 6.4 1.1	0-061945-1	Y 3
0-160429-2	1	1.0-2.5	3.0-4.3	0.80	0.32 BRASS	5.6 15.0 6.4 1.1		3
0-160429-3	1	1.0-2.5	3.0-4.3	0.80	0.32 BRASS	5.6 15.0 6.4 1.1		3
0-160429-4	1	1.0-2.5	3.0-4.3	0.80	0.32 BRASS	5.6 15.0 6.4 1.1		3
0-160429-5	1	1.0-2.5	3.0-4.3	0.80	0.32 BRASS	5.6 15.0 6.4 1.1		3
0-160429-6	1	1.0-2.5	3.0-4.3	0.80	0.32 BRASS	5.6 15.0 6.4 1.1		3
0-160429-7	1	1.0-2.5	3.0-4.3	0.80	0.32 BRASS	5.6 15.0 6.4 1.1		3
0-160429-8	1	1.0-2.5	3.0-4.3	0.80	0.32 BRASS	5.6 15.0 6.4 1.1		3
0-160429-9	1	1.0-2.5	3.0-4.3	0.80	0.32 BRASS	5.6 15.0 6.4 1.1		3
5-160491-1	1	1.0-2.5	3.0-4.3	0.80	0.32 BRASS	5.6 15.0 6.4 1.1	0-061945-1	Y 3
5-160491-2	1	1.0-2.5	3.0-4.3	0.80	0.32 BRASS	5.6 15.0 6.4 1.1		3
5-160491-3	1	1.0-2.5	3.0-4.3	0.80	0.32 BRASS	5.6 15.0 6.4 1.1		3
5-160491-4	1	1.0-2.5	3.0-4.3	0.80	0.32 BRASS	5.6 15.0 6.4 1.1		3
5-160491-5	1	1.0-2.5	3.0-4.3	0.80	0.32 BRASS	5.6 15.0 6.4 1.1		3
5-160491-6	1	1.0-2.5	3.0-4.3	0.80	0.32 BRASS	5.6 15.0 6.4 1.1		3
0-160430-1	1	0.5-1.5	2.3-3.3	0.80	0.32 BRASS	5.6 15.0 6.4 1.1	0-061758-1	Y 3
0-160430-2	1	0.5-1.5	2.3-3.3	0.80	0.32 BRASS	5.6 15.0 6.4 1.1		3
0-160430-3	1	0.5-1.5	2.3-3.3	0.80	0.32 BRASS	5.6 15.0 6.4 1.1		3
0-160430-4	1	0.5-1.5	2.3-3.3	0.80	0.32 BRASS	5.6 15.0 6.4 1.1		3
0-160430-5	1	0.5-1.5	2.3-3.3	0.80	0.32 BRASS	5.6 15.0 6.4 1.1		3
0-160430-6	1	0.5-1.5	2.3-3.3	0.80	0.32 BRASS	5.6 15.0 6.4 1.1		3
0-160430-7	1	0.5-1.5	2.3-3.3	0.80	0.32 BRASS	5.6 15.0 6.4 1.1		3
0-160430-8	1	0.5-1.5	2.3-3.3	0.80	0.32 BRASS	5.6 15.0 6.4 1.1		3
0-160430-9	1	0.5-1.5	2.3-3.3	0.80	0.32 BRASS	5.6 15.0 6.4 1.1		3
1-160430-0	1	0.5-1.5	2.3-3.3	0.80	0.32 BRASS	5.6 15.0 6.4 1.1		3
1-160430-1	1	0.5-1.5	2.3-3.3	0.80	0.32 BRASS	5.6 15.0 6.4 1.1		3
1-160430-2	1	0.5-1.5	2.3-3.3	0.80	0.32 BRASS	5.6 15.0 6.4 1.1		3
1-160430-3	1	0.5-1.5	2.3-3.3	0.80	0.32 BRASS	5.6 15.0 6.4 1.1		3
1-160430-4	1	0.5-1.5	2.3-3.3	0.80	0.32 BRASS	5.6 15.0 6.4 1.1		3
1-160430-5	1	0.5-1.5	2.3-3.3	0.80	0.32 BRASS	5.6 15.0 6.4 1.1		3
1-160430-6	1	0.5-1.5	2.3-3.3	0.80	0.32 BRASS	5.6 15.0 6.4 1.1		3
1-160430-7	1	0.5-1.5	2.3-3.3	0.80	0.32 BRASS	5.6 15.0 6.4 1.1		3
1-160430-8	1	0.5-1.5	2.3-3.3	0.80	0.32 BRASS	5.6 15.0 6.4 1.1		3
1-160430-9	1	0.5-1.5	2.3-3.3	0.80	0.32 BRASS	5.6 15.0 6.4 1.1		3

NOTE 1=LOOSE PIECE WIRE BARREL PRE CRIMPED
 NOTE 2=LOOSE PIECE WIRE AND INSULATION BARREL PRE CRIMPED
 NOTE 3=SPlice FREE REELED
 NOTE 4=WITH CHAMFER AROUND FRONT OF RECEPTACLE

M 00 67088

File E66717 Vol. 4 Sec. 1 and Report

III. 9 Iss. 5-9-84

*** RECEPTACLE 187 SERIES FASTON ***

DATE: 04/29/83	CATALOG NO.	FIG.	RANGE WIRE	INSUL.	TAB THK.	MATERIAL TYPE	FINISH	DIMENSIONS	US EQUIVALENT PARTNUMBER	UL	REMARKS OR NOTES
5-160430-2	1	1	0.5-1.5	2.3-3.3	0.80	0.32 BRASS	TIN	5.6 15.0 6.4			4
5-160430-4	1	1	0.5-1.5	2.3-3.3	0.80	0.32 STEEL	NICKEL	5.6 15.0 6.4			4
5-160430-5	1	1	0.5-1.5	2.3-3.3	0.80	0.32 BRONZE	TIN	5.6 15.0 6.4			4
5-160430-6	1	1	0.5-1.5	2.3-3.3	0.80	0.32 BRONZE	TIN	5.6 15.0 6.4			4
5-160430-7	1	1	0.5-1.5	2.3-3.3	0.80	0.32 BRASS	TIN	5.6 15.0 6.4	0-061758-1	Y	3&4
5-160430-8	1	1	0.5-1.5	2.3-3.3	0.80	0.32 BRASS	TIN	5.6 15.0 6.4			4
5-160430-9	1	1	0.5-1.5	2.3-3.3	0.80	0.32 STEEL	NICKEL	5.6 15.0 6.4			4
6-160430-0	1	1	0.5-1.5	2.3-3.3	0.80	0.32 STEEL	NICKEL	5.6 15.0 6.4			4
6-160430-1	1	1	0.5-1.5	2.3-3.3	0.80	0.32 BRONZE	TIN	5.6 15.0 6.4			4
6-160430-2	1	1	0.5-1.5	2.3-3.3	0.80	0.32 BRONZE	TIN	5.6 15.0 6.4			4
6-160430-3	1	1	0.5-1.5	2.3-3.3	0.80	0.32 BRASS	TIN	5.6 15.0 6.4			4
6-160430-4	1	1	0.5-1.5	2.3-3.3	0.80	0.32 STEEL	TIN	5.6 15.0 6.4			4
6-160430-5	1	1	0.5-1.5	2.3-3.3	0.80	0.32 STEEL	TIN	5.6 15.0 6.4			4
6-160430-6	1	1	0.5-1.5	2.3-3.3	0.80	0.32 BRASS	GOLD	5.6 15.0 6.4			4
6-160430-7	1	1	0.5-1.5	2.3-3.3	0.80	0.32 BRASS	SILVER	5.6 15.0 6.4	0-061758-1	Y	3&4
6-160430-8	1	1	0.5-1.5	2.3-3.3	0.80	0.32 BRASS	SILVER	5.6 15.0 6.4			4
6-160430-9	1	1	0.5-1.5	2.3-3.3	0.80	0.32 BRONZE	TIN	5.6 15.0 6.4			4
7-160430-0	1	1	0.5-1.5	2.3-3.3	0.80	0.32 BRASS	TIN	5.6 15.0 6.4			4
7-160430-1	1	1	0.5-1.5	2.3-3.3	0.80	0.32 BRASS	TIN	5.6 15.0 6.4			4

0-160492-1	1	1	1.0-2.5	3.0-4.3	0.50	0.32 BRASS	TIN	5.6 15.0 6.4			Y
0-160492-2	1	1	1.0-2.5	3.0-4.3	0.50	0.32 BRASS	NICKEL	5.6 15.0 6.4			Y
5-160492-1	1	1	1.0-2.5	3.0-4.3	0.50	0.32 STEEL	TIN	5.6 15.0 6.4			Y
5-160492-2	1	1	1.0-2.5	3.0-4.3	0.50	0.32 BRASS	NICKEL	5.6 15.0 6.4			Y
5-160493-1	1	1	1.0-2.5	3.0-4.3	0.50	0.32 BRASS	TIN	5.6 15.0 6.4			Y
5-160493-2	1	1	1.0-2.5	3.0-4.3	0.50	0.32 BRASS	NICKEL	5.6 15.0 6.4			Y
5-160493-3	1	1	1.0-2.5	3.0-4.3	0.50	0.32 BRASS	TIN	5.6 15.0 6.4			Y
5-160493-4	1	1	1.0-2.5	3.0-4.3	0.50	0.32 BRASS	NICKEL	5.6 15.0 6.4			Y
5-160493-5	1	1	1.0-2.5	3.0-4.3	0.50	0.32 BRASS	TIN	5.6 15.0 6.4			Y
5-160493-6	1	1	1.0-2.5	3.0-4.3	0.50	0.32 BRASS	NICKEL	5.6 15.0 6.4			Y
5-160493-7	1	1	1.0-2.5	3.0-4.3	0.50	0.32 BRASS	TIN	5.6 15.0 6.4			Y
5-160493-8	1	1	1.0-2.5	3.0-4.3	0.50	0.32 BRASS	NICKEL	5.6 15.0 6.4			Y
5-160493-9	1	1	1.0-2.5	3.0-4.3	0.50	0.32 BRASS	TIN	5.6 15.0 6.4			Y
5-160493-0	1	1	1.0-2.5	3.0-4.3	0.50	0.32 BRASS	SILVER	5.6 15.0 6.4			Y

0-160493-1	1	1	0.5-1.5	2.3-3.3	0.50	0.40 BRASS	TIN	5.6 15.0 6.4			Y
0-160493-2	1	1	0.5-1.5	2.3-3.3	0.50	0.40 BRASS	NICKEL	5.6 15.0 6.4			Y
0-160493-3	1	1	0.5-1.5	2.3-3.3	0.50	0.40 STEEL	SILVER	5.6 15.0 6.4			Y
0-160493-4	1	1	0.5-1.5	2.3-3.3	0.50	0.40 BRASS	TIN	5.6 15.0 6.4			Y
0-160493-5	1	1	0.5-1.5	2.3-3.3	0.50	0.40 BRASS	NICKEL	5.6 15.0 6.4			Y
0-160493-6	1	1	0.5-1.5	2.3-3.3	0.50	0.40 BRASS	TIN	5.6 15.0 6.4			Y
0-160493-7	1	1	0.5-1.5	2.3-3.3	0.50	0.40 BRASS	NICKEL	5.6 15.0 6.4			Y
0-160493-8	1	1	0.5-1.5	2.3-3.3	0.50	0.40 STEEL	SILVER	5.6 15.0 6.4			Y
0-160493-9	1	1	0.5-1.5	2.3-3.3	0.50	0.40 BRASS	TIN	5.6 15.0 6.4			Y
0-160493-0	1	1	0.5-1.5	2.3-3.3	0.50	0.40 BRASS	NICKEL	5.6 15.0 6.4			Y
0-160493-1	1	1	0.5-1.5	2.3-3.3	0.50	0.40 BRASS	TIN	5.6 15.0 6.4			Y
0-160493-2	1	1	0.5-1.5	2.3-3.3	0.50	0.40 BRASS	NICKEL	5.6 15.0 6.4			Y
0-160493-3	1	1	0.5-1.5	2.3-3.3	0.50	0.40 BRASS	TIN	5.6 15.0 6.4			Y
0-160493-4	1	1	0.5-1.5	2.3-3.3	0.50	0.40 BRASS	NICKEL	5.6 15.0 6.4			Y
0-160493-5	1	1	0.5-1.5	2.3-3.3	0.50	0.40 BRASS	TIN	5.6 15.0 6.4			Y
0-160493-6	1	1	0.5-1.5	2.3-3.3	0.50	0.40 BRASS	NICKEL	5.6 15.0 6.4			Y
0-160493-7	1	1	0.5-1.5	2.3-3.3	0.50	0.40 BRASS	TIN	5.6 15.0 6.4			Y
0-160493-8	1	1	0.5-1.5	2.3-3.3	0.50	0.40 BRASS	NICKEL	5.6 15.0 6.4			Y
0-160493-9	1	1	0.5-1.5	2.3-3.3	0.50	0.40 BRASS	TIN	5.6 15.0 6.4			Y
0-160493-0	1	1	0.5-1.5	2.3-3.3	0.50	0.40 BRASS	SILVER	5.6 15.0 6.4			Y

NOTE 1-LOOSE PIECE WIRE BARREL PRE CRIMPED
 NOTE 2-LOOSE PIECE WIRE AND INSULATION BARREL PRE CRIMPED
 NOTE 3-SPLICE FREE REELED
 NOTE 4-WITH CHAMFER AROUND FRONT OF RECEPTACLE

MOO-L 1039

File **E66717** Vol. **4** Sec. **1**
and Report

III. **10** Iss. **5-9-84**

- 3 -

*** RECEPTACLE 187 SERIES FASTON ***

DATE: 04/29/83
C A T A L O G N O .
STRIP LOOSE PIECE

FIG. WIRE RANGE INSUL. TAB M A T E R I A L DIMENSIONS

THK. TYPE FINISH W L E

US EQUIVALENT PARTNUMBER UL

REMARKS OR NOTES

384
384

FIG.	WIRE	RANGE	INSUL.	TAB	MATERIAL	THK.	TYPE	FINISH	W	L	E	US EQUIVALENT PARTNUMBER UL	REMARKS OR NOTES
6-160433-1	0.5-1.5	2.3-3.3	0.50	0.40	BRASS	TIN	NICKEL	5.6	15.0	6.4	1.1	0-042452-2	Y 384
6-160433-2	0.5-1.5	2.3-3.3	0.50	0.40	STEEL	NICKEL		5.6	15.0	6.4	1.1		384
0-160713-1	0.5-1.5	2.3-3.3	0.40	0.32	BRASS	TIN		5.6	15.0	6.4	1.0	0-042617-1	Y
0-160713-2	0.5-1.5	2.3-3.3	0.40	0.32	BRASS	TIN		5.6	15.0	6.4	1.0	0-042617-2	Y
5-160713-1	0.5-1.5	2.3-3.3	0.40	0.32	BRASS	TIN		5.6	15.0	6.4	1.0	0-042617-1	Y 4
5-160713-2	0.5-1.5	2.3-3.3	0.40	0.32	BRASS	TIN		5.6	15.0	6.4	1.0	0-042617-2	Y 4
0-160726-1	0.5-1.5	2.3-3.3	0.80	0.32	BRASS	TIN		5.6	15.0	6.4	1.1	0-060196-1	Y
0-160726-2	0.5-1.5	2.3-3.3	0.80	0.32	BRASS	TIN		5.6	15.0	6.4	1.1	0-060196-2	Y
0-160726-3	0.5-1.5	2.3-3.3	0.80	0.32	BRASS	TIN		5.6	15.0	6.4	1.1	0-060196-1	Y
0-160726-4	0.5-1.5	2.3-3.3	0.80	0.32	BRASS	TIN		5.6	15.0	6.4	1.1	0-060196-2	Y
5-160726-1	0.5-1.5	2.3-3.3	0.80	0.32	BRASS	TIN		5.6	15.0	6.4	1.1	0-060196-1	Y 4
5-160726-2	0.5-1.5	2.3-3.3	0.80	0.32	BRASS	TIN		5.6	15.0	6.4	1.1	0-060196-2	Y 4
5-160726-3	0.5-1.5	2.3-3.3	0.80	0.32	BRASS	TIN		5.6	15.0	6.4	1.1	0-060196-1	Y 4
5-160726-4	0.5-1.5	2.3-3.3	0.80	0.32	BRASS	TIN		5.6	15.0	6.4	1.1	0-060196-2	Y 4
0-160778-1	0.2-0.6	2.3-3.3	0.50	0.32	BRASS	TIN		5.6	15.0	6.4	1.1		3
0-160778-2	0.2-0.6	2.3-3.3	0.50	0.32	BRASS	TIN		5.6	15.0	6.4	1.1		3
0-160778-3	0.2-0.6	2.3-3.3	0.50	0.32	BRASS	TIN		5.6	15.0	6.4	1.1		3
0-160778-4	0.2-0.6	2.3-3.3	0.50	0.32	BRASS	TIN		5.6	15.0	6.4	1.1		3
0-160782-1	0.5-1.5	2.3-3.3	1.00	0.32	STEEL	NICKEL		5.6	15.0	6.4	1.1		3
0-160782-2	0.5-1.5	2.3-3.3	1.00	0.32	STEEL	NICKEL		5.6	15.0	6.4	1.1		4
0-160782-3	0.5-1.5	2.3-3.3	1.00	0.32	BRONZE	TIN		5.6	15.0	6.4	1.1		384
0-160782-4	0.5-1.5	2.3-3.3	1.00	0.32	BRONZE	TIN		5.6	15.0	6.4	1.1		384
0-160782-5	0.5-1.5	2.3-3.3	1.00	0.32	BRONZE	TIN		5.6	15.0	6.4	1.1		384

NOTE 1-LOOSE PIECE WIRE BARREL PRE CRIMPED
NOTE 2-LOOSE PIECE WIRE AND INSULATION BARREL PRE CRIMPED
NOTE 3-SPLICE FREE REELED
NOTE 4-WITH CHAMFER AROUND FRONT OF RECEPTACLE

100-80-55

File E66717 Vol. 4 Sec. 1 and Report

III. 11 Iss. 5-9-84

*** RECEPTACLE 250 SERIES FASTON ***

DATE	FIG.	RANGE	TAD	MATERIAL	DIMENSIONS	NEAREST	REMARKS
04/29/83	LOOSE PIECE	WIRE	THK.	FINISH	W L E	US EQUIVALENT	OR NOTES
0-041449-0	1	2.1-5.3	0.80	0.45 BRASS	7.6 19.7 7.7	0-041449-0	Y 2
0-041449-1	1	2.1-5.3	0.80	0.45 BRASS	7.6 19.7 7.7	0-041449-1	N 2&4
0-041449-2	1	2.1-5.3	0.80	0.45 BRASS	7.6 19.7 7.7	0-041449-2	N 4
0-041449-3	1	2.1-5.3	0.80	0.45 BRONZE	7.6 19.7 7.7	0-041449-3	N 4
0-041450-0	1	2.1-5.3	0.80	0.45 BRASS	7.6 19.7 7.7	0-041450-0	Y 2
0-041450-1	1	2.1-5.3	0.80	0.45 BRASS	7.6 19.7 7.7	0-041450-1	N 2&4
0-041450-2	1	2.1-5.3	0.80	0.45 BRONZE	7.6 19.7 7.7	0-041450-2	N 4
0-041531-0	5	0.8-3.4	0.80	0.45 BRASS	7.6 17.0 7.7	0-041531-0	Y 3
0-041532-0	5	0.8-3.4	0.80	0.45 BRASS	7.6 17.0 7.7	0-041532-0	Y
0-041679-0	1	2.1-5.3	0.80	0.45 BRASS	7.6 19.7 7.8	0-041679-0	Y 2
0-041679-1	1	2.1-5.3	0.80	0.45 BRASS	7.6 19.7 7.8	0-041679-1	N 2&4
0-041771-0	1	0.3-0.8	0.80	0.41 BRASS	7.6 19.2 7.7	0-041771-0	Y 1
0-041771-1	1	0.3-0.8	0.80	0.41 BRASS	7.6 19.2 7.7	0-041771-1	N 1&4
0-041772-0	1	0.3-0.8	0.80	0.41 BRASS	7.6 19.2 7.7	0-041772-0	Y 1
0-041772-1	1	0.3-0.8	0.80	0.41 BRASS	7.6 19.2 7.7	0-041772-1	N 1&4
0-041799-0	5	0.8-3.4	0.80	0.45 BRONZE	8.1 17.0 7.7	0-041799-0	Y 3
0-041800-0	5	0.8-3.4	0.80	0.45 BRONZE	8.1 17.0 7.7	0-041800-0	Y 2&3
0-041801-0	5	0.8-3.4	0.80	0.45 BRASS	8.1 17.0 7.7	0-041801-0	Y 2&3
0-041802-0	5	0.8-3.4	0.80	0.45 BRASS	8.1 17.0 7.7	0-041802-0	Y 2&3

NOTE 1=LOOSE PIECE WIRE BARREL PRE CRIMPED
 NOTE 2=LOOSE PIECE WIRE AND INSULATION BARREL PRE CRIMPED
 NOTE 3=SPLICE FREE REELED
 NOTE 4=WITH CHAMFER AROUND FRONT OF RECEPTACLE

File E66717 Vol.4 Sec.1 and Report

III. 12 Iss. 5-9-84

*** RECEPTACLE 250 SERIES FASTON ***

DATE: 04/29/83	FIG. NO.	RANGE	MATERIAL	THK.	TYPE	FINISH	W	L	E	T	US EQUIVALENT PARTNUMBER	REMARKS OR NOTES
0-042041-0	5	0.8-3.4	0.80	0.45	BRONZE	SILVER	8.1	17.0	7.7	3.1	0-042041-0	Y 2&3
0-042144-1	5	0.8-3.4	0.80	0.45	BRASS	SILVER	7.6	17.0	7.7	1.7	0-042144-1	Y 3
0-042219-1	1	0.8-2.1	0.80	0.41	STEEL	NICKEL	7.5	19.2	7.7	1.7	0-042219-1	N 1&4 4 2&4
0-042286-1	1	0.3-0.8	0.80	0.41	BRASS	SILVER	7.6	19.2	7.8	2.3	0-042286-1	Y 1
0-042286-3	1	0.3-0.8	0.80	0.41	BRONZE	SILVER	7.6	19.2	7.8	2.3	0-042286-3	Y 2
0-042404-1	5	0.8-3.4	0.80	0.41	STEEL	NICKEL	7.6	17.0	7.7	1.7		
0-042402-1	5	0.8-3.4	0.80	0.45	BRASS		7.6	17.0	7.7	1.7	0-042402-1	Y 3
0-042482-2	5	0.8-3.4	0.80	0.45	BRASS	TIN	7.6	17.0	7.7	1.7	0-042482-2	Y 3
0-042563-1	5	3.1-4.9	0.80	0.45	BRASS	TIN	8.1	17.0	7.7	3.1	0-042563-1	Y 2
0-042563-2	5	3.1-4.9	0.80	0.45	BRASS	TIN	8.1	17.0	7.7	3.1	0-042563-2	Y 2
0-042563-3	5	3.1-4.9	0.80	0.45	BRASS	SILVER	8.1	17.0	7.7	3.1	0-042563-3	Y 2
0-042563-4	5	3.1-4.9	0.80	0.45	BRONZE	TIN	8.1	17.0	7.7	3.1	0-042563-4	Y 2
0-042563-5	5	3.1-4.9	0.80	0.45	BRONZE	TIN	8.1	17.0	7.7	3.1	0-042563-5	Y 2
0-042563-7	5	3.1-4.9	0.80	0.45	BRONZE	SILVER	8.1	17.0	7.7	3.1	0-042563-7	Y 2
0-140794-1	1	0.3-0.8	0.80	0.41	BRONZE		7.6	19.2	7.7	2.3	0-041771-0	Y 1&4
0-140794-2	1	0.3-0.8	0.80	0.41	BRONZE	TIN	7.6	19.2	7.7	2.3	0-041772-0	Y 1&4
0-140794-3	1	0.3-0.8	0.80	0.41	BRONZE	SILVER	7.6	19.2	7.7	2.3	0-042286-1	Y 1&3&4
0-140760-4	1	0.3-0.8	0.80	0.41	BRONZE		7.6	19.2	7.7	2.3	0-041771-0	Y 4
0-151321-1	8	0.8-2.1	0.80	0.41	BRASS	TIN	7.6	14.7	7.6	2.3	0-061944-1	Y 2
0-151321-2	8	0.8-2.1	0.80	0.41	BRASS	TIN	7.6	14.7	7.6	2.3	0-061944-2	Y 2
0-160256-1	1	1.0-2.5	0.80	0.45	BRASS		7.6	19.2	7.7	1.7	0-041202-0	Y 2
0-160256-2	1	1.0-2.5	0.80	0.45	BRASS	TIN	7.6	19.2	7.7	1.7	0-041274-0	Y 2
0-160256-3	1	1.0-2.5	0.80	0.45	BRASS	SILVER	7.6	19.2	7.7	1.7	0-041678-0	Y 2
0-160256-5	1	1.0-2.5	0.80	0.41	STEEL	NICKEL	7.6	19.2	7.7	1.7	0-042219-1	N 2
0-160256-6	1	1.0-2.5	0.80	0.41	STEEL	TIN	7.6	19.2	7.7	1.7		2

NOTE 1-LOOSE PIECE WIRE BARREL PRE CRIMPED
 NOTE 2-LOOSE PIECE WIRE AND INSULATION BARREL PRE CRIMPED
 NOTE 3-SPLICE FREE REELED
 NOTE 4-WITH CLAMPERS AROUND FRONT OF RECEPTACLE

File E66717 Vol. 4 Sec. 1 and Report

III. 13 Iss. 5-9-84

*** RECEPTACLE 250 SERIES FASTON ***

DATE: 04/29/83	FIG. C A T A L O G N O .	LOOSE PIECE	R A N G E WIRE	INSUL.	TAB THK.	M A T E R I A L TYPE	D I M E N S I O N S W L E	D I M E N S I O N S T	N E A R E S T US EQUIVALENT PARTNUMBER	R E M A R K S O R N O T E S
	0-160256-7	0-160305-6	1-1.0-2.5	3.0-4.3	0.80	0.45 BRONZE	7.6 19.2	7.7 1.7	0-041773-0	N 2
	0-160256-8	0-160305-7	1-1.0-2.5	3.0-4.3	0.80	0.45 BRONZE	7.6 19.2	7.7 1.7	0-041678-1	Y 2
	0-160256-9	0-160305-8	1-1.0-2.5	3.0-4.3	0.80	0.45 BRONZE	7.6 19.2	7.7 1.7	0-041678-1	Y 2
	1-160256-1	1-160304-1	1-1.0-2.5	3.0-4.3	0.80	0.41 STEEL	7.6 19.2	7.7 1.7	0-042219-1	N
	1-160256-2	1-160305-1	1-1.0-2.5	3.0-4.3	0.80	0.45 BRASS	7.6 19.2	7.7 1.7	0-042219-1	N 2&3
	1-160256-3	1-160304-2	1-1.0-2.5	3.0-4.3	0.80	0.45 BRASS	7.6 19.2	7.7 1.7	0-041274-0	Y 2&3
	1-160256-4	1-160305-2	1-1.0-2.5	3.0-4.3	0.80	0.45 BRASS	7.6 19.2	7.7 1.7	0-041678-0	Y 2&4
	1-160256-5	1-160304-3	1-1.0-2.5	3.0-4.3	0.80	0.45 BRASS	7.6 19.2	7.7 1.7	0-041274-1	Y 2&3&4
	1-160256-6	1-160305-3	1-1.0-2.5	3.0-4.3	0.80	0.41 STEEL	7.6 19.2	7.7 1.7	0-042219-1	N 2
	1-160256-7	1-160304-4	1-1.0-2.5	3.0-4.3	0.80	0.45 BRONZE	7.6 19.2	7.7 1.7	0-041678-1	Y 2&3
	1-160256-8	1-160305-4	1-1.0-2.5	3.0-4.3	0.80	0.45 BRASS	7.6 19.2	7.7 1.7	0-042219-1	N 2&3
	1-160256-9	1-160304-5	1-1.0-2.5	3.0-4.3	0.80	0.41 STEEL	7.6 19.2	7.7 1.7	0-041678-0	Y 2&4
	1-160256-0	1-160305-5	1-1.0-2.5	3.0-4.3	0.80	0.45 BRASS	7.6 19.2	7.7 1.7	0-041678-0	Y 2&4
	1-160256-1	1-160304-6	1-1.0-2.5	3.0-4.3	0.80	0.45 BRONZE	7.6 19.2	7.7 1.7	0-041678-1	Y 2&4
	1-160256-2	1-160305-6	1-1.0-2.5	3.0-4.3	0.80	0.45 BRASS	7.6 19.2	7.7 1.7	0-041678-0	Y 2&4
	1-160256-3	1-160304-7	1-1.0-2.5	3.0-4.3	0.80	0.41 STEEL	7.6 19.2	7.7 1.7	0-042219-1	N 2&3
	1-160256-4	1-160305-7	1-1.0-2.5	3.0-4.3	0.80	0.45 BRONZE	7.6 19.2	7.7 1.7	0-041773-0	N 2&3&4
	1-160256-5	1-160304-8	1-1.0-2.5	3.0-4.3	0.80	0.45 BRASS	7.6 19.2	7.7 1.7	0-041773-0	N 2&3&4
	1-160256-6	1-160305-8	1-1.0-2.5	3.0-4.3	0.80	0.45 BRASS	7.6 19.2	7.7 1.7	0-041678-1	Y 2&3&4
	1-160256-7	1-160304-9	1-1.0-2.5	3.0-4.3	0.80	0.45 BRASS	7.6 19.2	7.7 1.7	0-041678-0	Y 2&3&4
	1-160256-8	1-160305-9	1-1.0-2.5	3.0-4.3	0.80	0.41 STEEL	7.6 19.2	7.7 1.7	0-042219-1	N 2&3
	1-160256-9	1-160304-0	1-1.0-2.5	3.0-4.3	0.80	0.45 BRONZE	7.6 19.2	7.7 1.7	0-041773-0	N 2&4
	1-160256-0	1-160305-0	1-1.0-2.5	3.0-4.3	0.80	0.45 BRASS	7.6 19.2	7.7 1.7	0-041274-0	Y 2&4
	1-160301-1	1-160305-1	1-4.0-6.0	3.8-5.1	0.80	0.45 BRASS	7.6 19.7	7.7 1.7	0-041449-0	Y 2
	1-160301-2	1-160305-2	1-4.0-6.0	3.8-5.1	0.80	0.45 BRASS	7.6 19.7	7.7 1.7	0-041500-0	Y 2
	1-160301-3	1-160305-3	1-4.0-6.0	3.8-5.1	0.80	0.45 BRASS	7.6 19.7	7.7 1.7	0-041679-0	Y 2
	1-160301-4	1-160305-4	1-4.0-6.0	3.8-5.1	0.80	0.41 STEEL	7.6 19.7	7.7 1.7		
	1-160301-5	1-160305-5	1-4.0-6.0	3.8-5.1	0.80	0.41 STEEL	7.6 19.7	7.7 1.7		
	1-160301-6	1-160305-6	1-4.0-6.0	3.8-5.1	0.80	0.45 BRONZE	7.6 19.7	7.7 1.7		
	1-160301-7	1-160305-7	1-4.0-6.0	3.8-5.1	0.80	0.45 BRONZE	7.6 19.7	7.7 1.7		
	1-160301-8	1-160305-8	1-4.0-6.0	3.8-5.1	0.80	0.45 BRONZE	7.6 19.7	7.7 1.7		
	1-160301-9	1-160305-9	1-4.0-6.0	3.8-5.1	0.80	0.45 BRONZE	7.6 19.7	7.7 1.7	0-041679-3	Y 2
	1-160301-0	1-160305-0	1-4.0-6.0	3.8-5.1	0.80	0.45 BRONZE	7.6 19.7	7.7 1.7		

NOTE 1=LOOSE PIECE WIRE BARREL PRE CRIMPED
 NOTE 2=LOOSE PIECE WIRE AND INSULATION BARREL PRE CRIMPED
 NOTE 3=SPLICE FREE REELED
 NOTE 4=WITH CHAMFER AROUND FRONT OF RECEPTACLE

File E66717 Vol.4 Sec.1 and Report III 14 Iss. 5-9-84

*** RECEPTACLE 250 SERIES FASTON ***

- 4 -

DATE: 04/29/83	FIG.	RANGE	TAB	MATERIAL	DIMENSIONS	NEAREST	REMARKS
CATALOG NO.	LOOSE PIECE	WIRE	THK.	TYPE FINISH	W L	EQUIVALENT	OR NOTES
STRIP		INSUL.				PARTNUMBER	UL
1-160301-2	0-160305-1	4.0-6.0	0.80	0.45 BRASS	7.6 19.7	0-041449-0	Y 2&3
1-160301-3	1-160305-3	4.0-6.0	0.80	0.45 BRASS	7.6 19.7	0-041449-0	Y 2&4
1-160301-4	1-160305-4	4.0-6.0	0.80	0.45 BRASS	7.6 19.7	0-041450-0	Y 2&4
1-160301-5	1-160305-5	4.0-6.0	0.80	0.45 BRASS	7.6 19.7	0-041450-0	Y 2&3&4
1-160301-6	1-160305-6	4.0-6.0	0.80	0.45 BRASS	7.6 19.7	0-041679-0	Y 2&4
1-160301-7	1-160305-7	4.0-6.0	0.80	0.45 BRASS	7.6 19.7	0-041679-3	Y 2&4
1-160301-8	1-160305-8	4.0-6.0	0.80	0.45 BRASS	7.6 19.7	0-041450-0	Y 2&3&4
1-160301-9	1-160305-9	4.0-6.0	0.80	0.45 BRASS	7.6 19.7	0-041450-0	Y 2&3
2-160301-1	0-160305-2	4.0-6.0	0.80	0.45 BRASS	7.6 19.7	0-041450-0	Y 2&4
2-160301-2	1-160305-9	4.0-6.0	0.80	0.45 BRASS	7.6 19.7	0-041450-0	Y 2&4
2-160301-3	2-160305-1	4.0-6.0	0.80	0.45 BRASS	7.6 19.7	0-041450-0	Y 2&4
2-160301-5	2-160305-3	4.0-6.0	0.80	0.41 STEEL	7.6 19.7	0-041450-0	Y 2&4
2-160301-6	2-160305-4	4.0-6.0	0.80	0.41 STEEL	7.6 19.7	0-041450-0	Y 2&3&4
2-160301-7	1-160305-3	4.0-6.0	0.80	0.45 BRASS	7.6 19.7	0-041450-0	Y 2&3&4
0-160327-1	1	1.0-2.5	0.00	0.45 BRASS	7.6 19.2	0-041202-0	Y 1.7
0-160327-2	1	1.0-2.5	0.80	0.45 BRASS	7.6 19.2	0-041274-0	Y 1.7
0-160327-3	1	1.0-2.5	0.80	0.45 BRASS	7.6 19.2	0-041678-0	Y 1.7
0-160389-1	0-160412-1	0.3-0.8	0.80	0.41 STEEL	7.6 19.2	0-041202-0	Y 1.7
0-160389-2	0-160412-2	0.3-0.8	0.80	0.41 STEEL	7.6 19.2	0-041274-0	Y 1.7
0-160389-3	0-160412-3	0.3-0.8	0.80	0.41 STEEL	7.6 19.2	0-041678-0	Y 1.7
0-160432-1	0-160506-1	0.5-1.5	0.80	0.41 BRASS	7.6 19.2	0-041202-0	Y 1.7
0-160432-2	0-160506-2	0.5-1.5	0.80	0.41 BRASS	7.6 19.2	0-041274-0	Y 1.7
0-160432-3	0-160506-3	0.5-1.5	0.80	0.41 BRASS	7.6 19.2	0-041274-0	Y 1.7
0-160432-4	0-160506-4	0.5-1.5	0.80	0.41 BRASS	7.6 19.2	0-041202-0	Y 1.7
0-160432-5	0-160506-5	0.5-1.5	0.80	0.41 BRASS	7.6 19.2	0-041274-0	Y 1.7
0-160432-6	0-160506-6	0.5-1.5	0.80	0.41 BRASS	7.6 19.2	0-041274-0	Y 1.7
0-160432-7	0-160506-7	0.5-1.5	0.80	0.41 BRASS	7.6 19.2	0-041202-0	Y 1.7
0-160432-8	0-160506-8	0.5-1.5	0.80	0.41 BRASS	7.6 19.2	0-041274-0	Y 1.7
0-160432-9	0-160506-9	0.5-1.5	0.80	0.41 BRASS	7.6 19.2	0-041274-0	Y 1.7
0-160432-0	0-160506-0	0.5-1.5	0.80	0.41 BRASS	7.6 19.2	0-041202-0	Y 1.7
0-160432-1	0-160506-1	0.5-1.5	0.80	0.41 BRASS	7.6 19.2	0-041274-0	Y 1.7
0-160432-2	0-160506-2	0.5-1.5	0.80	0.41 BRASS	7.6 19.2	0-041274-0	Y 1.7
0-160432-3	0-160506-3	0.5-1.5	0.80	0.41 BRASS	7.6 19.2	0-041202-0	Y 1.7
0-160432-4	0-160506-4	0.5-1.5	0.80	0.41 BRASS	7.6 19.2	0-041274-0	Y 1.7
0-160432-5	0-160506-5	0.5-1.5	0.80	0.41 BRASS	7.6 19.2	0-041274-0	Y 1.7
0-160432-6	0-160506-6	0.5-1.5	0.80	0.41 BRASS	7.6 19.2	0-041202-0	Y 1.7
0-160432-7	0-160506-7	0.5-1.5	0.80	0.41 BRASS	7.6 19.2	0-041274-0	Y 1.7
0-160432-8	0-160506-8	0.5-1.5	0.80	0.41 BRASS	7.6 19.2	0-041274-0	Y 1.7
0-160432-9	0-160506-9	0.5-1.5	0.80	0.41 BRASS	7.6 19.2	0-041202-0	Y 1.7
0-160432-0	0-160506-0	0.5-1.5	0.80	0.41 BRASS	7.6 19.2	0-041274-0	Y 1.7
0-160432-1	0-160506-1	0.5-1.5	0.80	0.41 BRASS	7.6 19.2	0-041274-0	Y 1.7
0-160432-2	0-160506-2	0.5-1.5	0.80	0.41 BRASS	7.6 19.2	0-041202-0	Y 1.7
0-160432-3	0-160506-3	0.5-1.5	0.80	0.41 BRASS	7.6 19.2	0-041274-0	Y 1.7
0-160432-4	0-160506-4	0.5-1.5	0.80	0.41 BRASS	7.6 19.2	0-041274-0	Y 1.7
0-160432-5	0-160506-5	0.5-1.5	0.80	0.41 BRASS	7.6 19.2	0-041202-0	Y 1.7
0-160465-1	0-160503-1	0.75-1.5	0.80	0.45 BRASS	7.6 19.2	0-041202-0	Y 1.7
0-160465-2	0-160742-1	0.75-1.5	0.80	0.45 BRASS	7.6 19.2	0-041274-0	Y 1.7
0-160465-3	0-160742-2	0.75-1.5	0.80	0.45 BRASS	7.6 19.2	0-041274-0	Y 1.7

NOTE 1-LOOSE PIECE WIRE BARREL PRE CRIMPED
 NOTE 2-LOOSE PIECE WIRE AND INSULATION BARREL PRE CRIMPED
 NOTE 3-SPlice FREE REELED
 NOTE 4-WITH CHAMFER AROUND FRONT OF RECEPTACLE

File E66717 Vol. 4 Sec. 1 and Report

III. 15 Iss. 5-9-84

*** RECEPTACLE 250 SERIES FASTON ***

DATE: 04/29/83	FIG.	RANGE	TAB	MATERIAL	DIMENSIONS	NEAREST	REMARKS
CATALOG NO.	WIRE	INSUL.	THK.	FINISH	W L E	US EQUIVALENT	OR NOTES
STRIP LOOSE PIECE						PARTNUMBER	
0-160465-3	1	0.75-1.5	3.0-4.3	0.80 0.45 BRASS	7.6 19.2	7.7 1.7	0-041678-0 Y 1
0-160465-5	1	0.75-1.5	3.0-4.3	0.80 0.41 STEEL	7.6 19.2	7.7 1.7	0-042219-1 N 3
0-160465-6	1	0.75-1.5	3.0-4.3	0.80 0.45 BRONZE	7.6 19.2	7.7 1.7	0-041773-0 N 1
0-160465-7	1	0.75-1.5	3.0-4.3	0.80 0.45 BRONZE	7.6 19.2	7.7 1.7	0-041678-1 Y 1
0-160465-8	1	0.75-1.5	3.0-4.3	0.80 0.41 STEEL	7.6 19.2	7.7 1.7	0-041202-0 Y 1
0-160465-9	1	0.75-1.5	3.0-4.3	0.80 0.45 BRASS	7.6 19.2	7.7 1.7	0-041274-0 Y 2
1-160465-0	1	0.75-1.5	3.0-4.3	0.80 0.45 BRASS	7.6 19.2	7.7 1.7	0-041274-0 Y 2
1-160465-1	1	0.75-1.5	3.0-4.3	0.80 0.45 BRONZE	7.6 19.2	7.7 1.7	0-061099-1 Y Y
1-160465-2	1	0.75-1.5	3.0-4.3	0.80 0.45 BRASS	7.6 19.2	7.7 1.7	0-041274-0 Y Y
1-160465-3	1	0.75-1.5	3.0-4.3	0.80 0.45 BRONZE	7.6 19.2	7.7 1.7	0-061099-1 Y Y
5-160465-1	1	0.75-1.5	3.0-4.3	0.80 0.45 BRASS	7.6 19.2	7.7 1.7	0-041202-0 Y 1
5-160465-2	1	0.75-1.5	3.0-4.3	0.80 0.45 BRASS	7.6 19.2	7.7 1.7	0-041274-0 Y 1
5-160465-3	1	0.75-1.5	3.0-4.3	0.80 0.45 BRASS	7.6 19.2	7.7 1.7	0-041678-0 Y 1
5-160465-4	1	0.75-1.5	3.0-4.3	0.80 0.41 STEEL	7.6 19.2	7.7 1.7	0-042219-1 N 3
5-160465-5	1	0.75-1.5	3.0-4.3	0.80 0.45 BRONZE	7.6 19.2	7.7 1.7	0-041773-0 N 1
5-160465-6	1	0.75-1.5	3.0-4.3	0.80 0.45 BRASS	7.6 19.2	7.7 1.7	0-041274-0 Y 1
5-160465-7	1	0.75-1.5	3.0-4.3	0.80 0.45 BRONZE	7.6 19.2	7.7 1.7	0-041678-1 Y 1
5-160465-8	1	0.75-1.5	3.0-4.3	0.80 0.41 STEEL	7.6 19.2	7.7 1.7	0-041202-0 Y 1
5-160465-9	1	0.75-1.5	3.0-4.3	0.80 0.45 BRASS	7.6 19.2	7.7 1.7	0-041274-0 Y 1
6-160465-0	1	0.75-1.5	3.0-4.3	0.80 0.45 BRASS	7.6 19.2	7.7 1.7	0-041274-0 Y 1
6-160465-1	1	0.75-1.5	3.0-4.3	0.80 0.45 BRONZE	7.6 19.2	7.7 1.7	0-061099-1 Y 4
6-160465-2	1	0.75-1.5	3.0-4.3	0.80 0.45 BRASS	7.6 19.2	7.7 1.7	0-041274-0 Y 4
6-160465-3	1	0.75-1.5	3.0-4.3	0.80 0.45 BRONZE	7.6 19.2	7.7 1.7	0-061099-1 Y 4
6-160465-4	1	0.75-1.5	3.0-4.3	0.80 0.45 BRASS	7.6 19.2	7.7 1.7	0-061099-1 Y 3
0-160515-1	1	1.0-2.5	3.1-4.3	0.80 0.45 BRONZE	7.6 19.2	7.7 1.7	0-041773-0 Y
0-160515-2	1	1.0-2.5	3.1-4.3	0.80 0.45 BRONZE	7.6 19.2	7.7 1.7	0-061099-1 N
0-160516-1	1	4.0-6.0	3.8-5.1	0.80 0.45 BRONZE	7.6 19.7	7.7 1.7	
0-160516-2	1	4.0-6.0	3.8-5.1	0.80 0.43 BRONZE	7.6 19.7	7.7 1.7	
0-160541-1	1	1.0-2.5	3.0-4.3	0.80 0.45 BRASS	7.6 19.2	7.7 1.7	0-041202-0 Y
0-160608-2	1	2.1-5.3	3.8-5.1	0.80 0.41 STEEL	7.5 19.7	7.7 1.7	0-042219-1 N

NOTE 1=LOOSE PIECE WIRE BARREL PRE CRIMPED
 NOTE 2=LOOSE PIECE WIRE AND INSULATION BARREL PRE CRIMPED
 NOTE 3=SPLICE FREE REELED
 NOTE 4=WITH CHAMFER AROUND FRONT OF RECEPTACLE

File E66717 Vol. 4 Sec. 1 and Report

Th. 16 Iss. 5-9-84

*** RECEPTACLE 250 SERIES FASTON ***

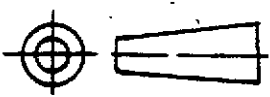
DATE: 04/29/83	FIG.	RANGE	TAB	MATERIAL	DIMENSIONS	NEAREST	REMARKS
CATALOG NO.	LOOSE PIECE	WIRE	THK. TYPE	FINISH	W L E Y	US EQUIVALENT	OR NOTES
STRIP	PIECE	INSUL.				PARTNUMBER	UL
0-160722-1	0-041858-0	1 2.1-5.3	3.8-5.1	0.80 0.45 BRASS	7.6 19.7	7.7 1.7	0-041449-0 Y 2&3
0-160722-2	0-042075-1	1 2.1-5.3	3.8-5.1	0.80 0.45 BRASS	7.6 19.7	7.7 1.7	0-041450-0 Y 2&3
	0-041829-0						1
	0-042075-0						2
	0-061227-1						1
0-160739-1	0-160830-1	3 0.8-2.1	3.0-4.3	0.80 0.38 BRASS	7.6 19.5	7.7 2.3	0-061944-1 Y 3
0-160739-2	0-160830-2	3 0.8-2.1	3.0-4.3	0.80 0.38 BRASS	7.6 19.5	7.7 2.3	0-061944-2 Y 3
0-160739-3	0-160830-3	3 0.8-2.1	3.0-4.3	0.80 0.38 BRONZE	7.6 19.5	7.7 2.3	3
0-160739-4	0-160830-4	3 0.8-2.1	3.0-4.3	0.80 0.38 BRONZE	7.6 19.5	7.7 2.3	3
0-160739-5	0-160830-5	3 0.8-2.1	3.0-4.3	0.80 0.38 STEEL	7.6 19.5	7.7 2.3	3
0-160739-6	0-160830-6	3 0.8-2.1	3.0-4.3	0.80 0.38 SILVER	7.6 19.5	7.7 2.3	3
0-160739-7	0-160830-7	3 0.8-2.1	3.0-4.3	0.80 0.38 BRONZE	7.6 19.5	7.7 2.3	3
0-160769-1	0-160769-1	1 0.5-1.5	2.3-3.3	0.50 0.41 BRASS	7.6 19.2	7.7 2.3	0-41202-0 Y
0-160769-2	0-160769-2	1 0.5-1.5	2.3-3.3	0.50 0.41 BRASS	7.6 19.2	7.7 2.3	0-41274-0 Y 3
5-160769-1	0-160769-1	1 0.5-1.5	2.3-3.3	0.50 0.41 BRASS	7.6 19.2	7.7 2.3	0-41202-0 Y 4
5-160769-2	0-160769-2	1 0.5-1.5	2.3-3.3	0.50 0.41 BRASS	7.6 19.2	7.7 2.3	0-41274-0 Y 4
0-160807-1	0-160813-1	1 0.5-1.5	2.3-3.3	0.80 0.41 NI-AG	7.6 19.2	7.7 2.3	0-42219-1 N
0-160808-1	0-160814-1	1 1.0-2.5	3.0-4.3	0.80 0.41 NI-AG	7.6 19.2	7.7 1.7	0-42219-1 N
0-180371-1	0-180434-1	2 1.0-2.5	3.0-4.3	0.80 0.41 BRASS	7.6 15.5	7.6 2.3	0-062812-1 N
0-180371-2	0-180434-2	2 1.0-2.5	3.0-4.3	0.80 0.41 BRASS	7.6 15.5	7.6 2.3	0-062812-2 N
0-180371-3	0-180434-3	2 1.0-2.5	3.0-4.3	0.80 0.41 BRASS	7.6 15.5	7.6 2.3	
0-180371-4	0-180434-4	2 1.0-2.5	3.0-4.3	0.80 0.41 BRASS	7.6 15.5	7.6 2.3	
0-180371-5	0-180434-5	2 1.0-2.5	3.0-4.3	0.80 0.41 BRASS	7.6 15.5	7.6 2.3	
0-180388-1	0-180430-1	2 0.5-1.5	2.3-3.3	0.80 0.41 BRASS	7.6 15.5	7.6 2.3	
0-180388-2	0-180430-2	2 0.5-1.5	2.3-3.3	0.80 0.41 BRONZE	7.6 15.5	7.6 2.3	
0-180388-3	0-180430-3	2 0.5-1.5	2.3-3.3	0.80 0.41 BRONZE	7.6 15.5	7.6 2.3	
0-180388-4	0-180430-4	2 0.5-1.5	2.3-3.3	0.80 0.41 BRONZE	7.6 15.5	7.6 2.3	
0-180388-5	0-180430-5	2 0.5-1.5	2.3-3.3	0.80 0.41 STEEL	7.6 15.5	7.6 2.3	
0-180388-6	0-180430-6	2 0.5-1.5	2.3-3.3	0.80 0.41 BRASS	7.6 15.5	7.6 2.3	
0-180388-7	0-180430-7	2 0.5-1.5	2.3-3.3	0.80 0.41 BRASS	7.6 15.5	7.6 2.3	
0-180388-8	0-180430-8	2 0.5-1.5	2.3-3.3	0.80 0.41 BRASS	7.6 15.5	7.6 2.3	
0-180388-9	0-180430-9	2 0.5-1.5	2.3-3.3	0.80 0.41 BRASS	7.6 15.5	7.6 2.3	
0-180397-1	0-180429-1	2 1.0-2.5	3.0-4.3	0.80 0.41 BRASS	7.6 15.5	7.6 2.3	
0-180397-2	0-180429-2	2 1.0-2.5	3.0-4.3	0.80 0.41 BRASS	7.6 15.5	7.6 2.3	
0-180397-3	0-180429-3	2 1.0-2.5	3.0-4.3	0.80 0.41 BRONZE	7.6 15.5	7.6 2.3	
0-180397-4	0-180429-4	2 1.0-2.5	3.0-4.3	0.80 0.41 BRONZE	7.6 15.5	7.6 2.3	
0-180397-5	0-180429-5	2 1.0-2.5	3.0-4.3	0.80 0.41 BRONZE	7.6 15.5	7.6 2.3	
0-180397-6	0-180429-6	2 1.0-2.5	3.0-4.3	0.80 0.41 BRONZE	7.6 15.5	7.6 2.3	

NOTE 1=LOOSE PIECE WIRE BARREL PRE CRIMPED
 NOTE 2=LOOSE PIECE WIRE AND INSULATION BARREL PRE CRIMPED
 NOTE 3=SPICE FREE REELED
 NOTE 4=WITH CHAMFER AROUND FRONT OF RECEPTACLE

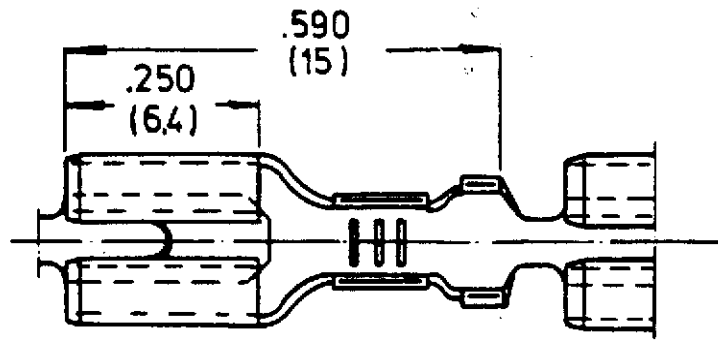
DO NOT SCALE

METRIC

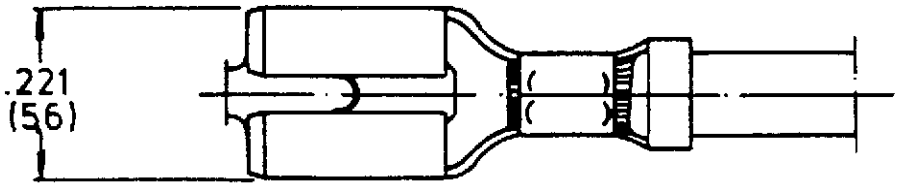
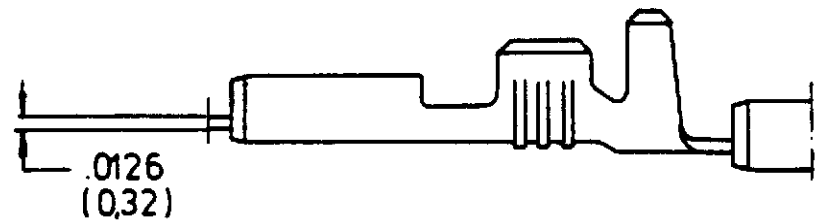
THIRD ANGLE PROJECTION



DIMENSIONS IN mm

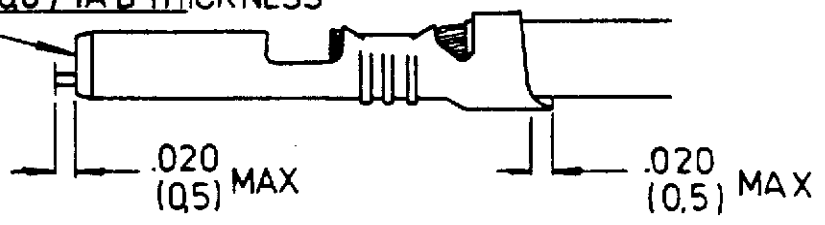


File E66717
 Vol. 4
 Sec. 1
 and Report
 Lit. 18
 Iss. 5-9-84
 No. 4-17-86



RESTRICTED

FOR .031 (0.8) TAB THICKNESS



TINPLATED	BRASS	160883-2
UNPLATED	BRASS	160883-1
FINISH	MATERIAL	PART NUMBER

CUSTOMER DRAWING

FOR REFERENCE ONLY
WILL NOT BE UPDATED

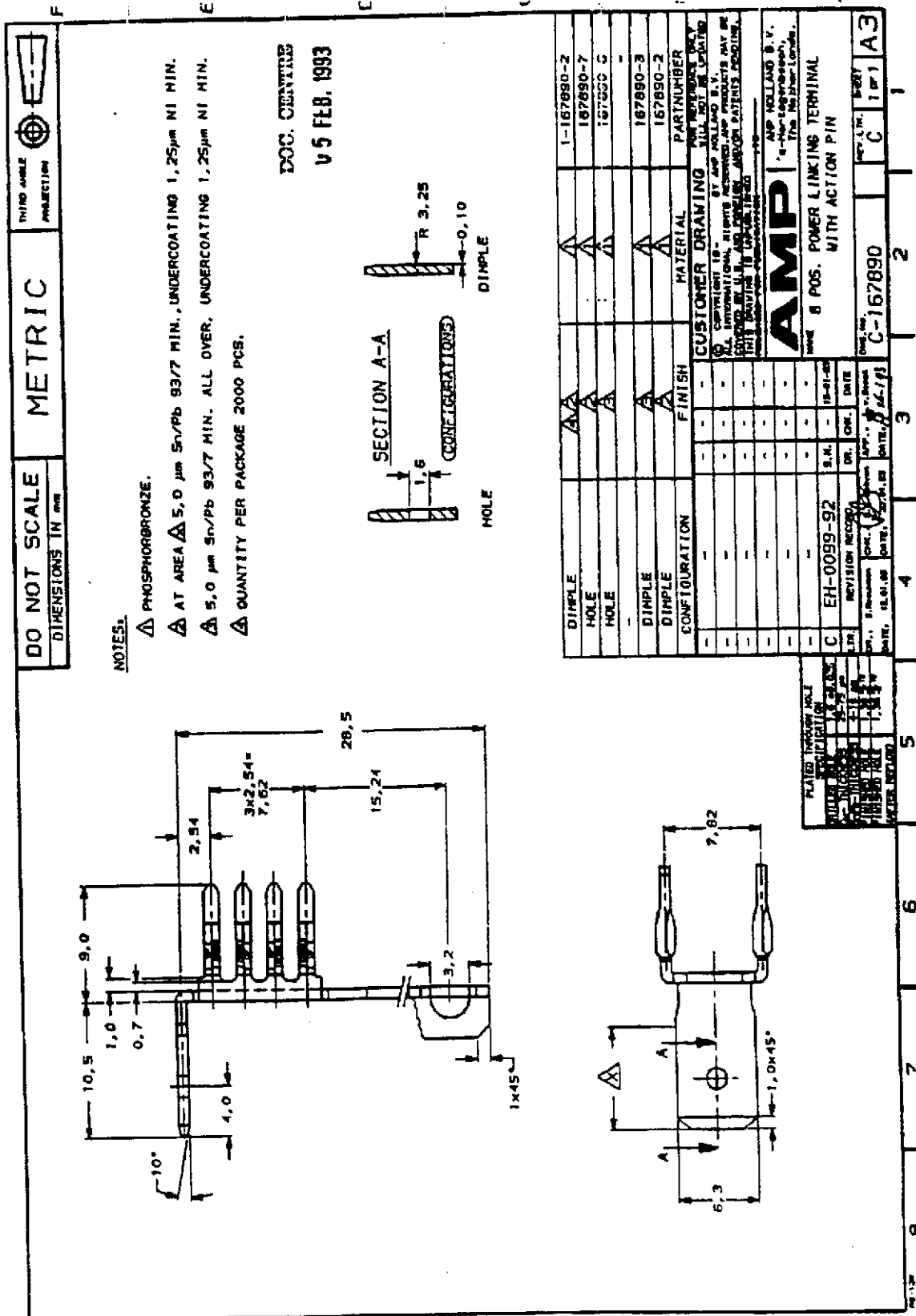
AMP | AMP-HOLLAND B.V.
's-Hertogenbosch, The Netherlands

~~THIS DRAWING IS UNPUBLISHED~~ | RELEASED FOR PUBLICATION 1. 11. 1985

© COPYRIGHT 1985 BY AMP-HOLLAND B.V.
ALL INTERNATIONAL RIGHTS RESERVED.
AMP PRODUCTS MAY BE COVERED BY U.S. AND FOREIGN PATENTS AND/OR PATENTS PENDING

DR. R.v.LOKVEN 01.11.85	WIRE RANGE 0.5-1.5 MM2	NAME 187 SRS FASTON REC	REV DATE D M Y 8 11 85
CHK. <i>[Signature]</i> 1.11.85	INSUL. RANGE .090-.130 DIA (2.3-3.3)		
APP. <i>[Signature]</i> 1.11.85	SIZE A4	SHEET 1 OF 1	DRAWING NO C 160883
			REV. LTR. A

and Report



M93-66672

E66717

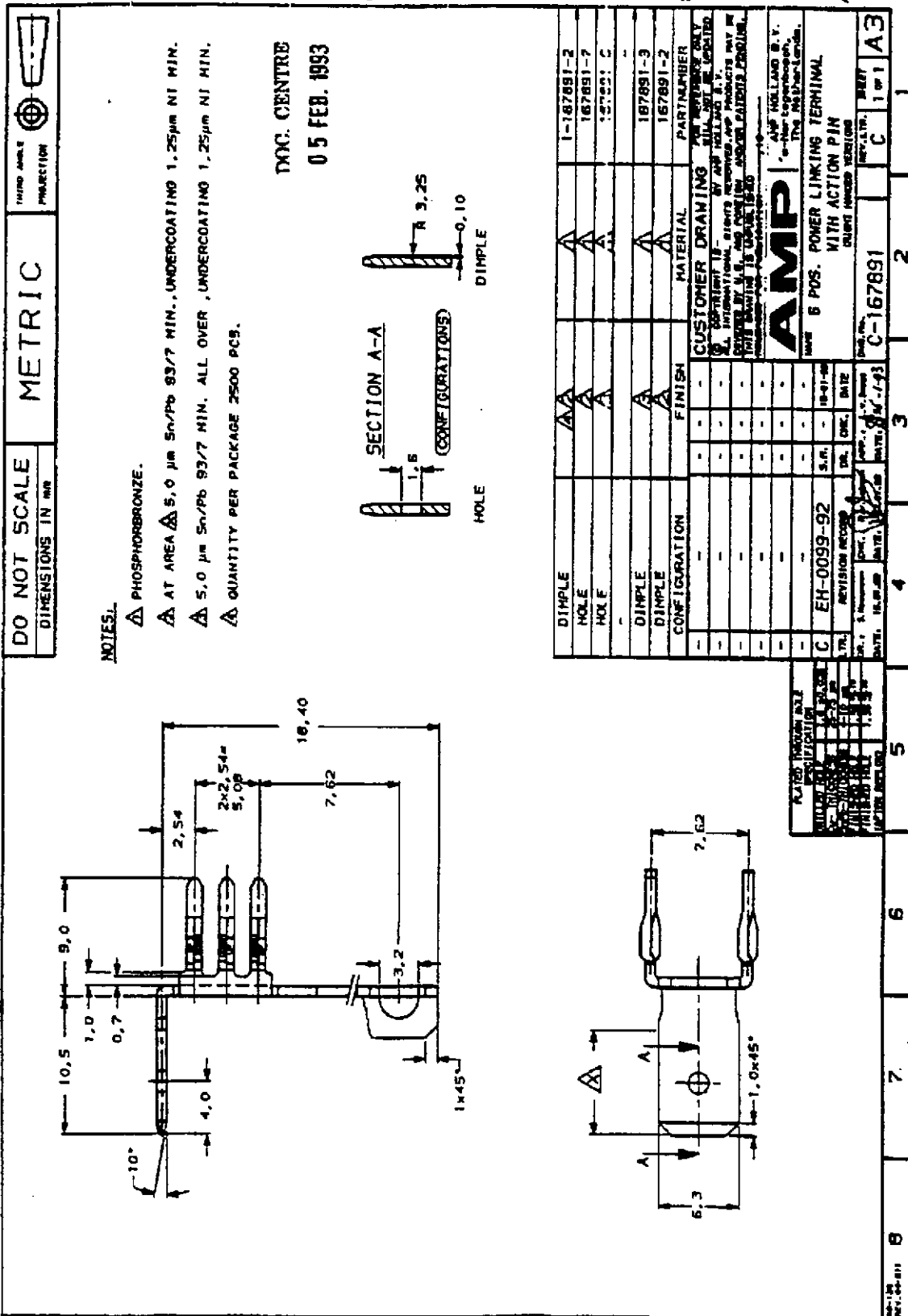
Vol. 4

Sec. 1

ILL- 20

Issued: 05-09-84
New: 12-16-93

and Report



M93-66673

E66717

Vol. 4

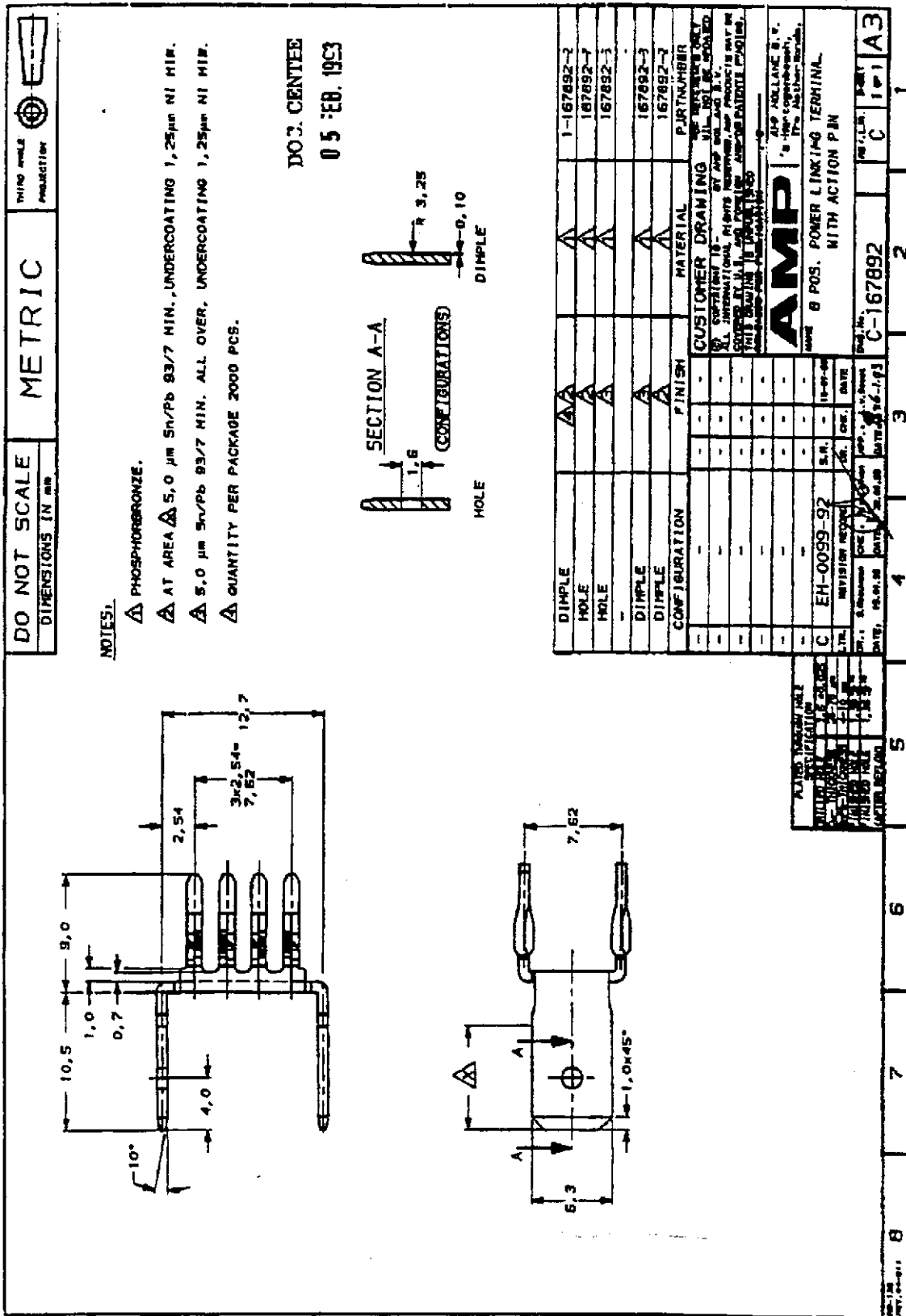
Sec. 1

ILL- 21

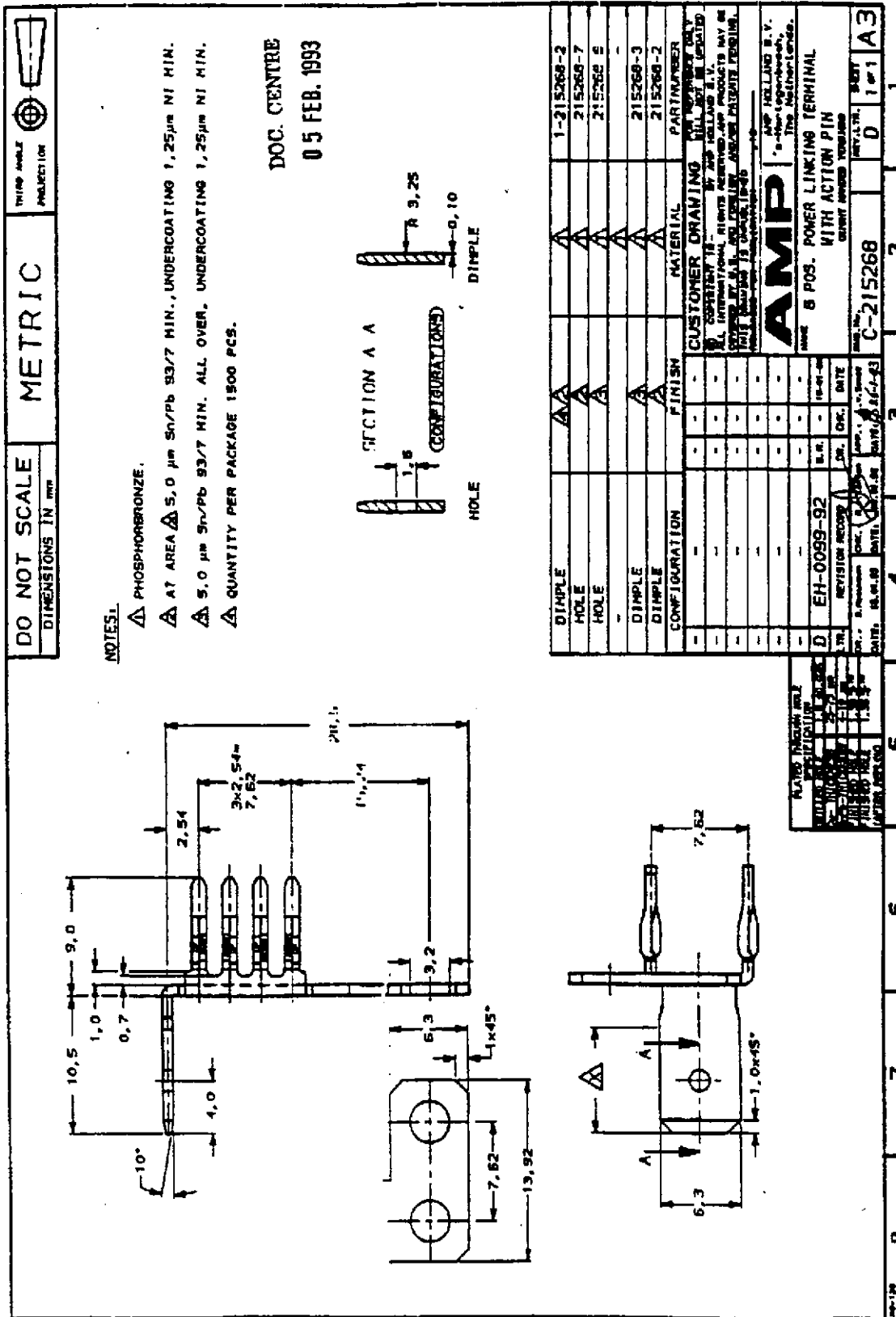
Issued: 05-09-84

New: 12-16-93

and Report



and Report



M93-66675

E66717

Vol. 4

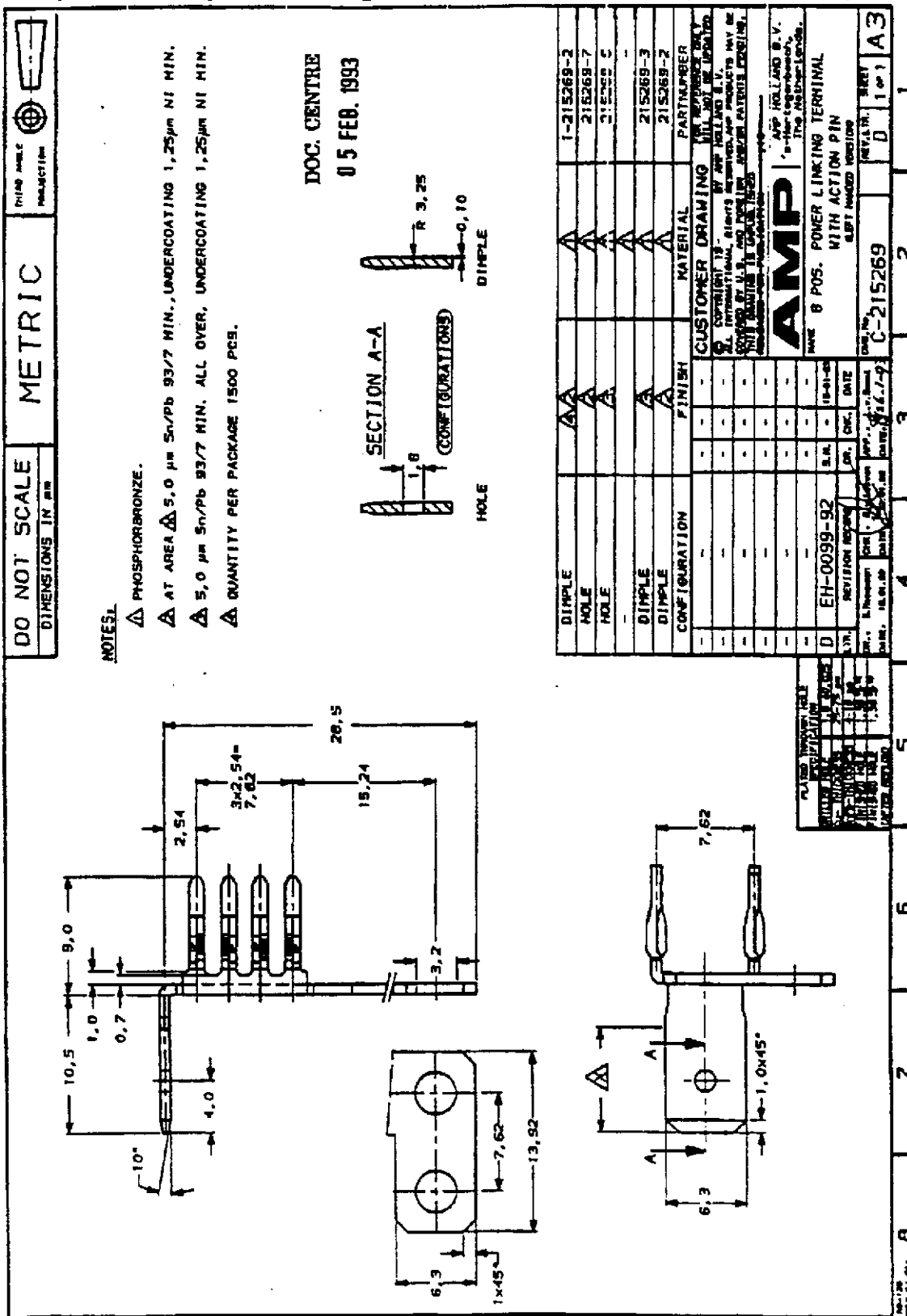
Sec. 1

ILL- 23

Issued: 05-09-84

New: 12-16-93

and Report



M93-66676

E66717

Vol. 4

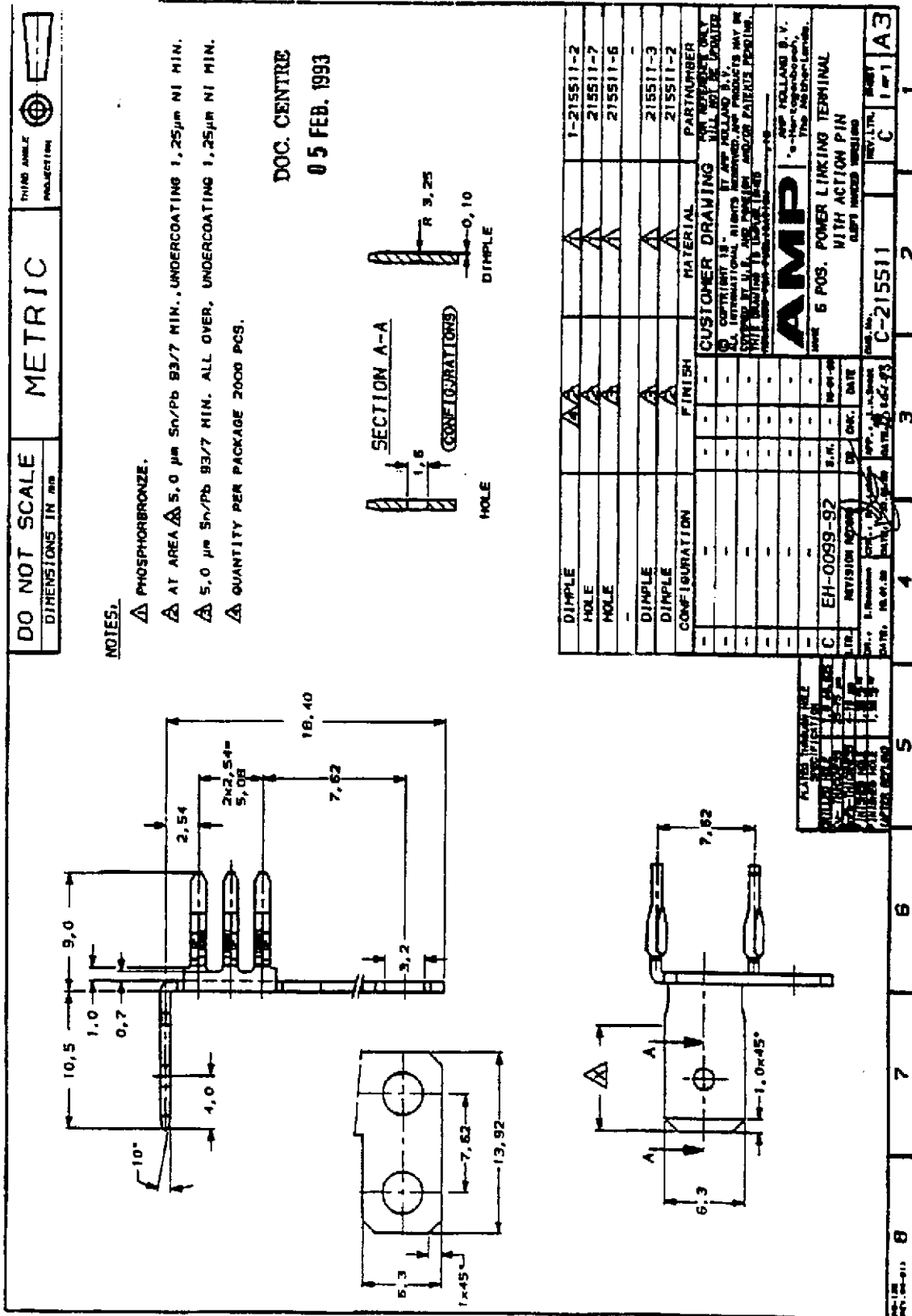
Sec. 1

ILL- 24

Issued: 05-09-84

New: 12-16-93

and Report



M93-66677

E66717

Vol. 4

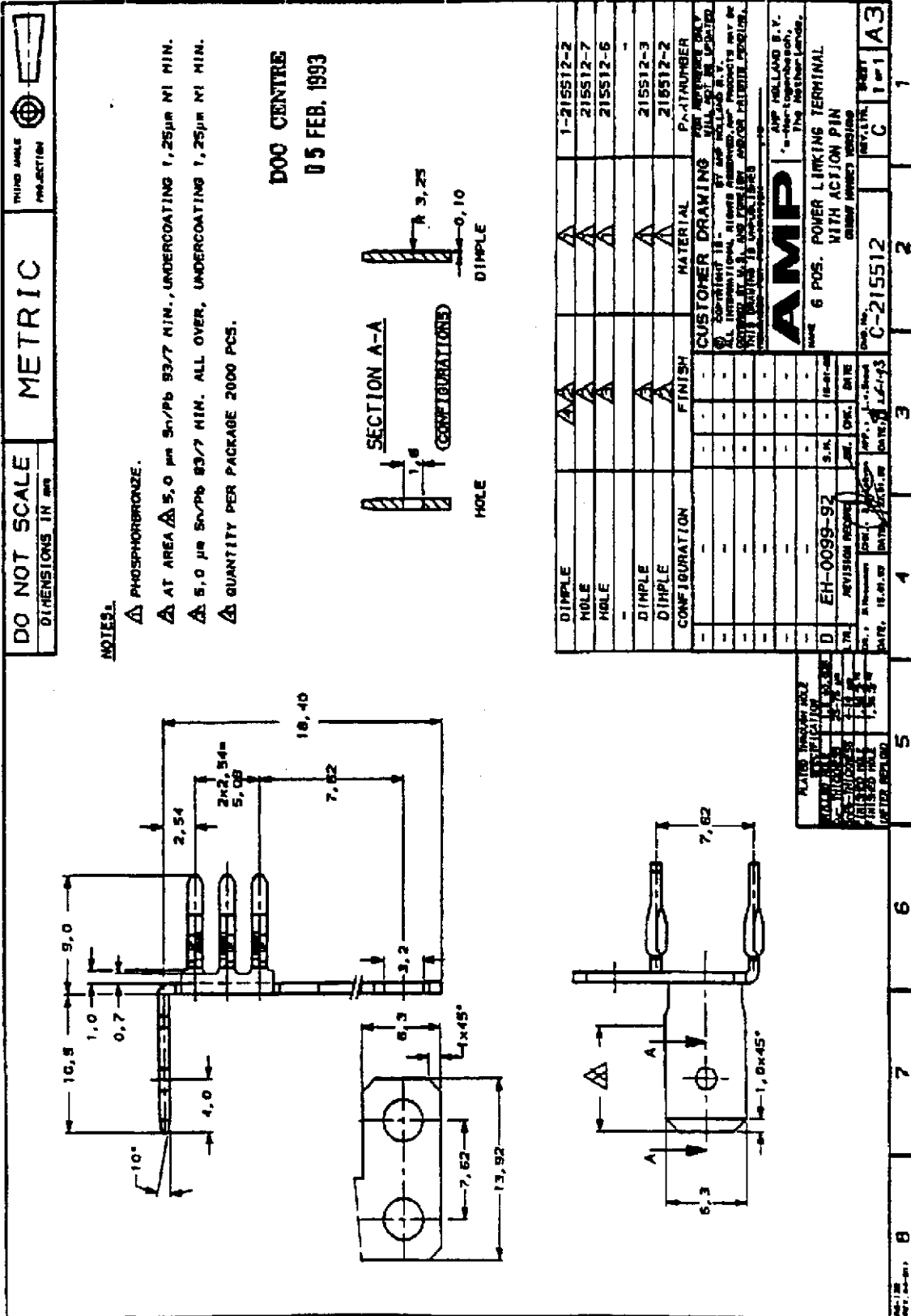
Sec. 1

ILL- 25

Issued: 05-09-84

New: 12-16-93

and Report



M93-66678

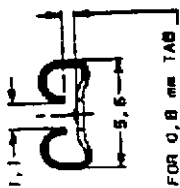
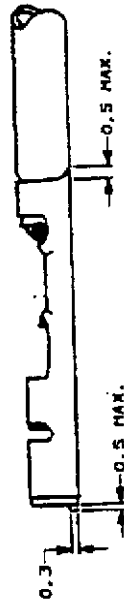
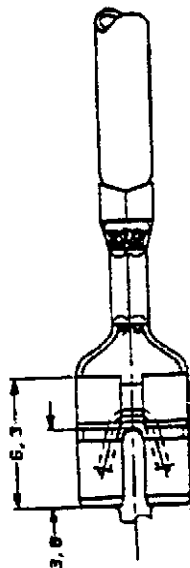
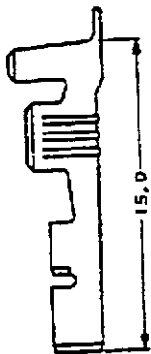
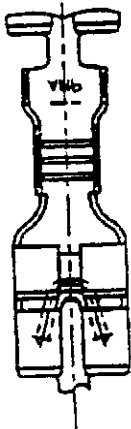
and Report

DO NOT SCALE
DIMENSIONS IN mm

METRIC

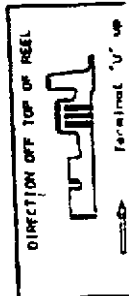
TRING AMBLE
PRODUCTION

NOTES:
1 FOR USE ON MINIATURE APPLICATORS (LEFT-RIGHT FEED)



WIRE RANGE :
0.5 - 1.5 mm

INSULATION RANGE :
2.3 - 3.3 mm DIA.



LOOSE PIECE	FINISH	MATERIAL	PART NUMBER
-	TINPLATED	PH. BRONZE	100494-4
-	UNPLATED	PH. BRONZE	100494-3
-	TINPLATED	BRASS	100494-2
-	UNPLATED	BRASS	100494-1

REV.	DATE	BY	CHK.	DATE
0	H-9565	JL	P.B.	04-01-82
1	REVISION RECORD	DR.	CHK.	DATE

REV.	DATE	BY	CHK.	DATE
0	H-9565	JL	P.B.	04-01-82

REV.	DATE	BY	CHK.	DATE
0	H-9565	JL	P.B.	04-01-82

CUSTOMER DRAWING FILE NO. 100494-4
 ALL DIMENSIONS ARE IN MILLIMETERS UNLESS OTHERWISE SPECIFIED.
 DIMENSIONS IN PARENTHESES ARE FOR REFERENCE ONLY.
 DIMENSIONS IN SQUARE BRACKETS ARE FOR INFORMATION ONLY.
 DIMENSIONS IN CIRCLES ARE FOR INFORMATION ONLY.
 DIMENSIONS IN DASHES ARE FOR INFORMATION ONLY.
 DIMENSIONS IN DOTTED LINES ARE FOR INFORMATION ONLY.
 DIMENSIONS IN SOLID LINES ARE FOR INFORMATION ONLY.
 DIMENSIONS IN SOLID LINES ARE FOR INFORMATION ONLY.

AMP
 AMP HOLLAND B.V.
 P.O. BOX 100
 3720 AA ZWIJNDRECHT
 THE NETHERLANDS

LOW INSERTION FORCE FASTON RECEPTACLES
 FOR 0.8 mm TAB THICKNESS .187 (4.8)

REV. Ltr. 0 1 of 1
 C-100494

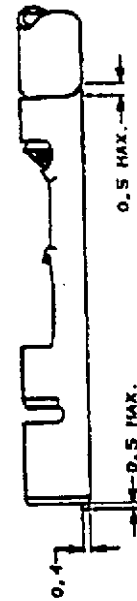
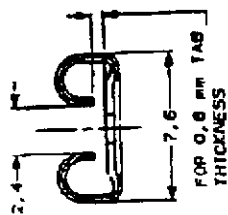
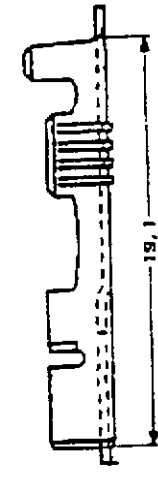
and Report

DO NOT SCALE
DIMENSIONS IN mm

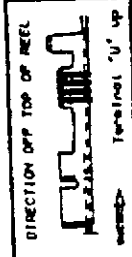


METRIC

NOTES:
1 FOR USE ON MINIATURE APPLICATORS (LEFT-RIGHT FEED)
2 HANDTOOL 169400 AND DIE-SET 169528 TO BE USED.



WIRE RANGE
0.5 - 1.5 mm
INSULATION RANGE
2.3 - 3.3 mm DIA.



100684-4	TINPLATED	PH. BRONZE	100495-4
100684-3	UNPLATED	PH. BRONZE	100495-3
100684-2	TINPLATED	BRASS	100495-2
100684-1	UNPLATED	BRASS	100495-1
LOOSE PIECE		MATERIAL	PARTNUMBER
CUSTOMER DRAWING (MATERIAL ONLY)			
TO CONTINUE TO BE USED BY AMP AND ITS PRODUCTS MAY BE USED BY OTHERS WITHOUT THE WRITTEN PERMISSION OF AMP. PATENTS PENDING.			
DATE: 01-26-94			
AMP			
AMP HOLLAND B.V. P.O. Box 100 The Netherlands			
LOW INSERTION FORCE FASTON RECEPTACI FOR 0.8 mm TAB THICKNESS .250 mm (0.31)			
0	H-9565	J.M. P.B. 24-01-80	0
REV	REVISION RECORD	DR. DATE	0
DATE: 24 JUN 1980	DATE: 07/02	DATE: 07/02	0

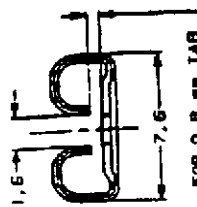
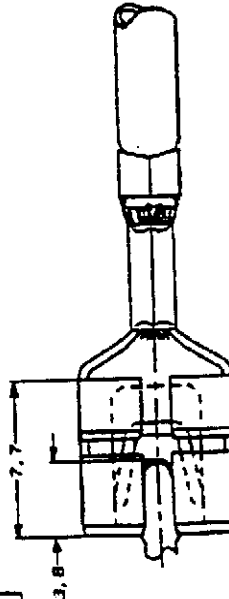
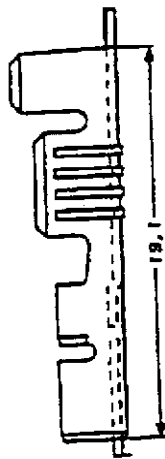
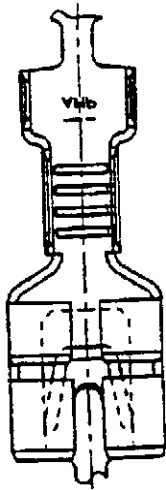
and Report

DO NOT SCALE
DIMENSIONS IN **MM**

METRIC

THIS IS A
PRODUCTION

NOTES:
1 FOR USE ON MINIATURE APPLICATORS (LEFT-RIGHT FEED)
A HANDTOOL 169400 AND DIC-SET 169620 TO BE USED.



FOR 0,8 mm TAB THICKNESS

100570-4	TINPLATED	PH. BRONZE	100570-4
100570-3	UNPLATED	PH. BRONZE	100570-3
100570-2	TINPLATED	BRASS	100570-2
100570-1	UNPLATED	BRASS	100570-1
FINISH		MATERIAL	PARTNUMBER
CUSTOMER DRAWING 100570-1			
BY AMP HOLLAND B.V.			
ALL DIMENSIONS ARE IN MILLIMETERS UNLESS OTHERWISE SPECIFIED			
TOLERANCES UNLESS OTHERWISE SPECIFIED			
FRACTIONS TO BE DECIMALS			
HOLE DIMENSIONS TO BE H9/D9			
SURFACE FINISH TO BE AS SPECIFIED			
DRAWN BY: [Signature]			
CHECKED BY: [Signature]			
DATE: 7-1-84			
SCALE: 1:1			
WIRE RANGE: 1.0 - 2.5 mm			
INSULATION RANGE: 3.0 - 4.3 dia.			
DIRECTION OFF TOP OF REEL			
Tensinol "U" up			

and Report

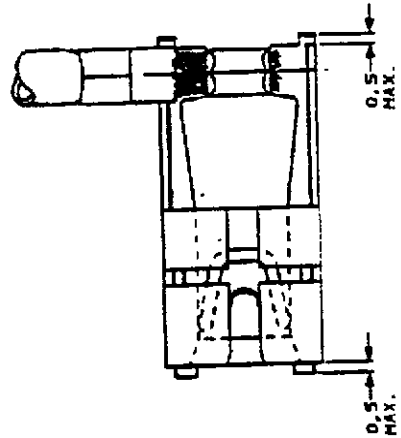
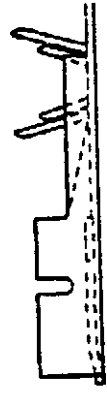
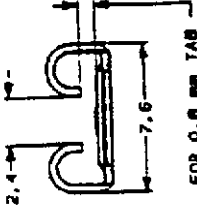
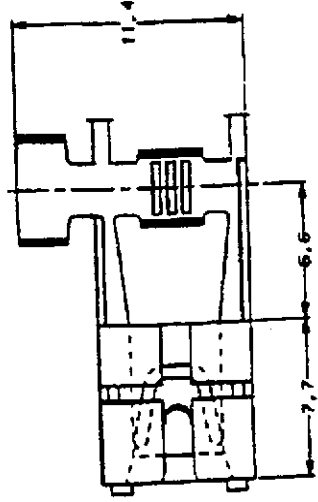
DO NOT SCALE
DIMENSIONS IN mm

METRIC



THIRD ANGLE
PROJECTION

NOTE 5L
1 FOR USE ON MINIATURE APPLICATORS (LEFT-RIGHT FEED)
A HANDTOOL 180320 TO BE USED.



WIRE RANGE :
0.5 - 1.5 mm²
INSULATION RANGE :
2.0 - 3.0 mm DIA.

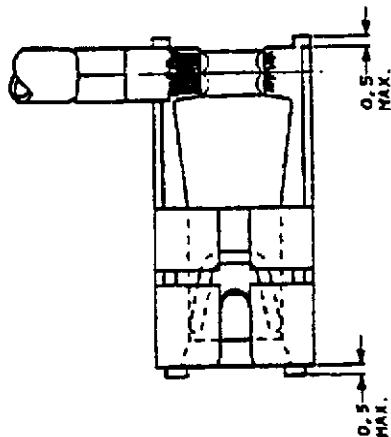
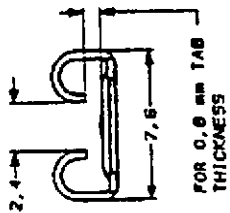
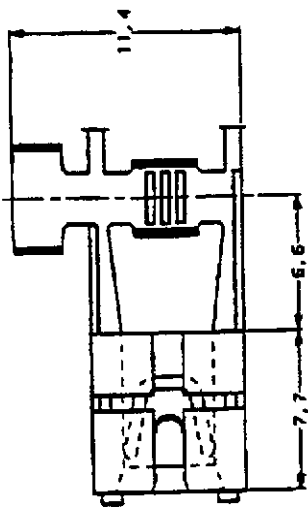
100644-4	TINPLATED	PH. BRONZE	100644-4
100644-3	UNPLATED	PH. BRONZE	100644-3
100644-2	TINPLATED	BRASS	100644-2
100644-1	UNPLATED	BRASS	100644-1
LOOSE PIECE A		MATERIAL	PARTNUMBER
CUSTOMER DRAWING FOR REFERENCE ONLY CONTRACT NO. 87 AMP HOLLAND B.V. MAY 2. Information sheets required under MAY 1988. 87-100644-1 (REV. 1) 87-100644-2 (REV. 1) THIS DRAWING IS UNCONTROLLED			
		AMP	AMP HOLLAND B.V. 's-Hertogenbosch, The Netherlands
LOW INSERTION FORCE FASTON RECEPTACI FOR 0.6 mm THICKNESS .250mm(0.3)			
0	H-9565	P.B. D.O. M.C. (D.O.)	REV. 0
0	REVISION RECORD	DR. DATE	REV. 1
0	DATE	DATE	DATE

DO NOT SCALE DIMENSIONS IN mm METRIC



NOTES:

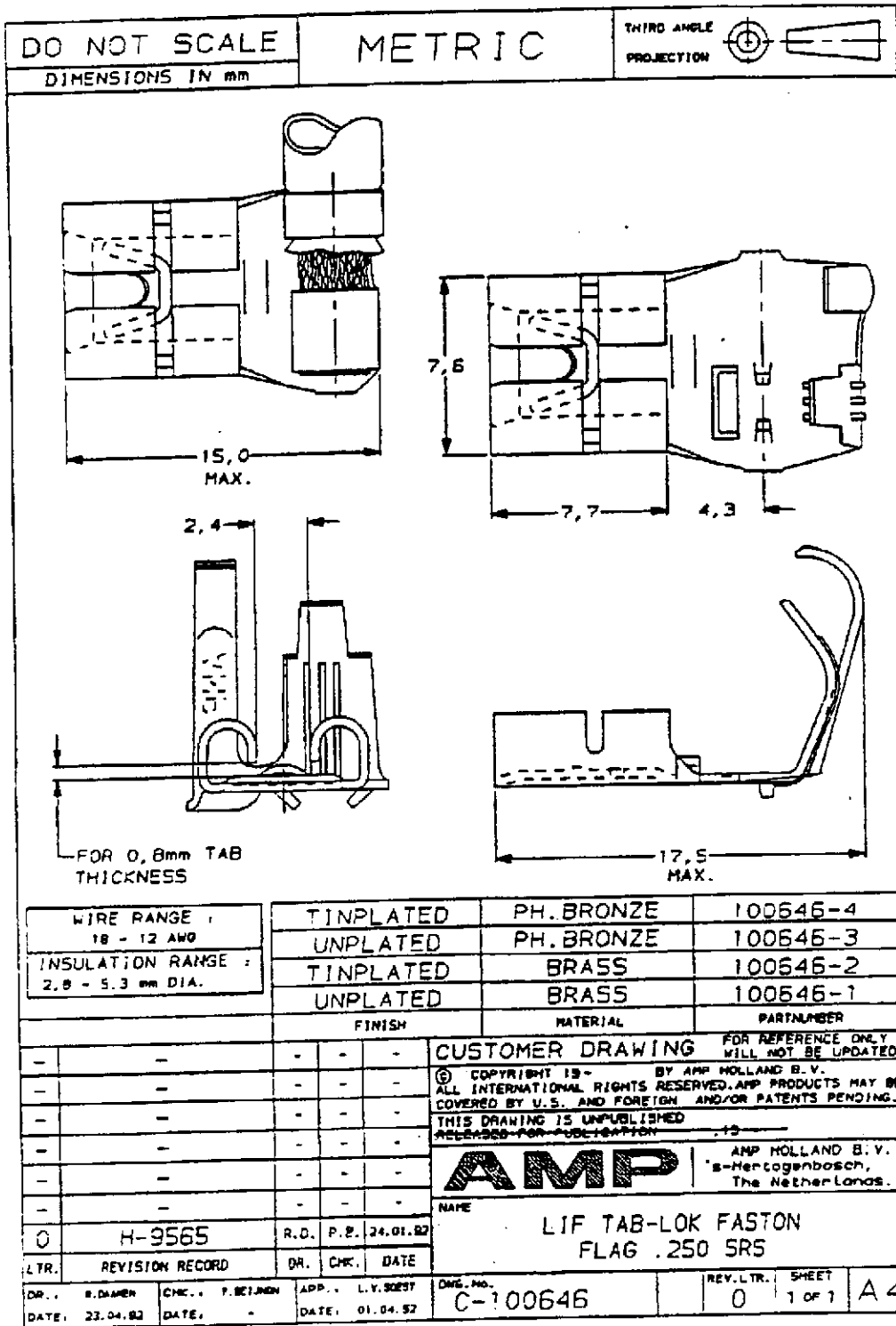
- 1 FOR USE ON MINIATURE APPLICATORS (LEFT-RIGHT FEED)
- 2 HANDTOOL 190319 TO BE USED.



WIRE RANGE 1
1,0 - 2,5 mm

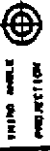
INSULATION RANGE 1
2,5 - 3,0 mm DIA.

100689-4	TINPLATED	PH. BRONZE	100645-4
100689-3	UNPLATED	PH. BRONZE	100645-3
100689-2	TINPLATED	BRASS	100645-2
100689-1	UNPLATED	BRASS	100645-1
LOOSE PIECE A	FINISH MATERIAL PARTNUMBER		
CUSTOMER DRAWING			
EXCEPT TO THE EXTENT THAT THE DRAWING IS UNLAWFULLY COPIED BY A PERSON OR PERSONS WHOSE NAME(S) OR FIRM(S) IS/ARE NOT MENTIONED THEREIN.			
AMP			
AMP INC. 200 VOLLAND B.V. Mechelen, The Netherlands.			
LOW INSERTION FORCE FASTON RECEPTACLE FOR 0,8 mm TAB THICKNESS .250mm (5,3)			
QTY.	DR.	DATE	REV. LTR. PART
0	H-9565	P.B. S.B. 28.05.82	0 1 0 1 A
DEL. DATE	APP. DATE	DATE	DATE
		28.05.82	28.05.82

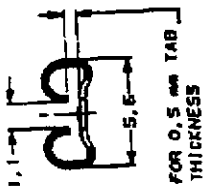
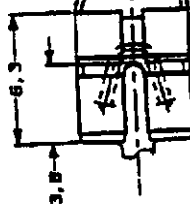
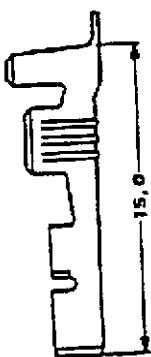


BB-127 (REV. 04-81)

and Report

DO NOT SCALE DIMENSIONS IN mm	METRIC	 WIRE MESH PROJECTION
----------------------------------	---------------	--

NOTES:
1 FOR USE ON MINIATURE APPLICATORS (LEFT-RIGHT FEED)



TOTAL P. 03

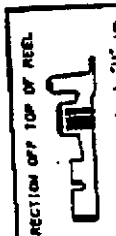
FINISH	PH. BRONZE	PH. BRONZE	BRASS	BRASS	MATERIAL	PART NUMBER
TINPLATED	100651-4	100651-3	100651-2	100651-1		
UNPLATED						
TINPLATED						
UNPLATED						
LOOSE PIECE						

CUSTOMER DRAWING
 1. ALL DIMENSIONS IN mm UNLESS OTHERWISE SPECIFIED.
 2. DIMENSIONS IN PARENTHESES INDICATE DIMENSIONS OF OPTIONAL PATIENT PERS.
 3. THIS DRAWING IS UNCONTROLLED.
AMP
 The Netherlands

LOW INSERTION FORCE FASTON RECEPAC
 FOR 0.5 mm TAB THICKNESS .187 mm (4,0)

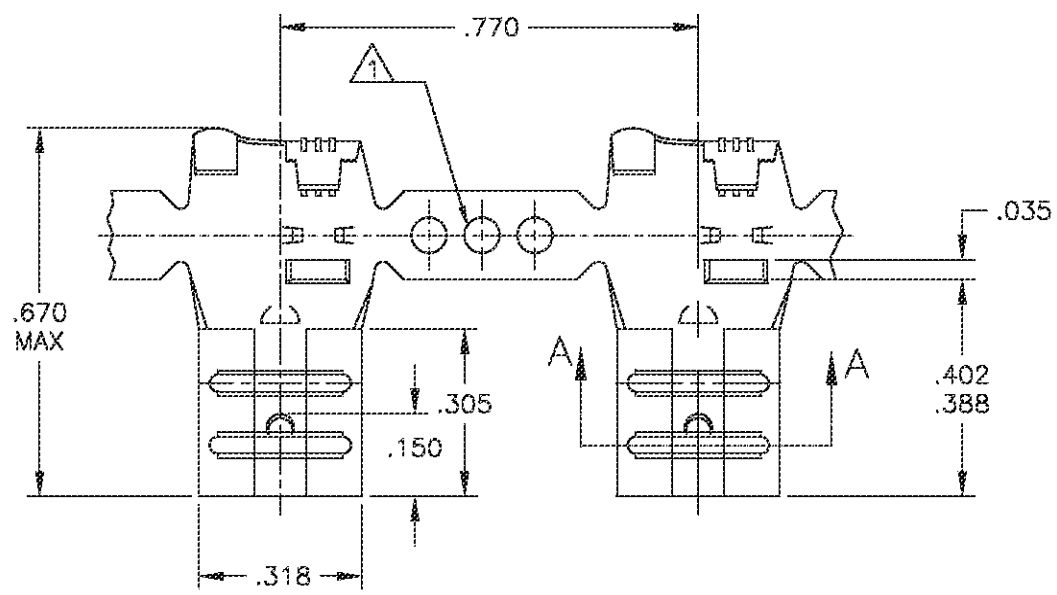
REV. NO.	0	REV. DATE	1/8/92	REV. BY	101	REV. DATE	1/8/92	REV. BY	101
DATE: 31 JAN 1980 (DATE)									

WIRE RANGE 1
 0.5 - 1.5 mm
 INSULATION RANGE 1
 2.3 - 3.3 mm DIA.

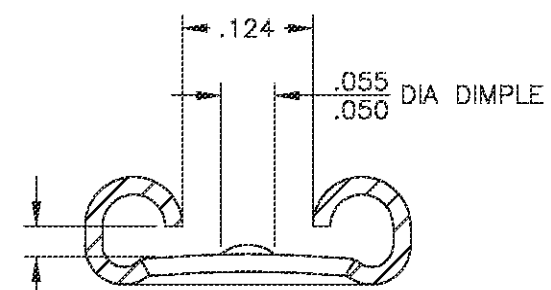


THIS DRAWING IS UNPUBLISHED. RELEASED FOR PUBLICATION
 © COPYRIGHT - By - ALL RIGHTS RESERVED.

LOG	DIST	REVISIONS					
AF	50	P	LTR	DESCRIPTION	DATE	DRN	APVD
		A		INITIAL RELEASE	27 JUN 2017	HG	TD

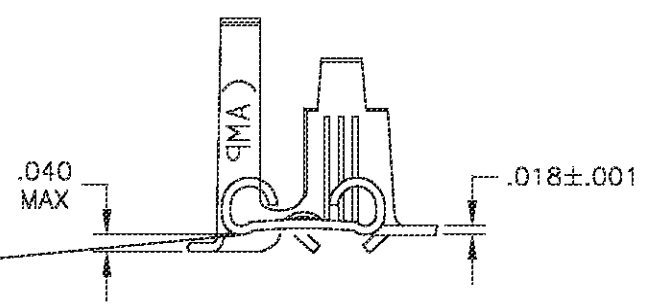


- 1 SINGLE OR DOUBLE PILOT HOLE OPTIONAL
- 2 SPLICES PRESENT ON REEL.
- 3 THIS DRAWING IS RESTRICT TO GREE



FITS .250 SERIES FASTON TAB

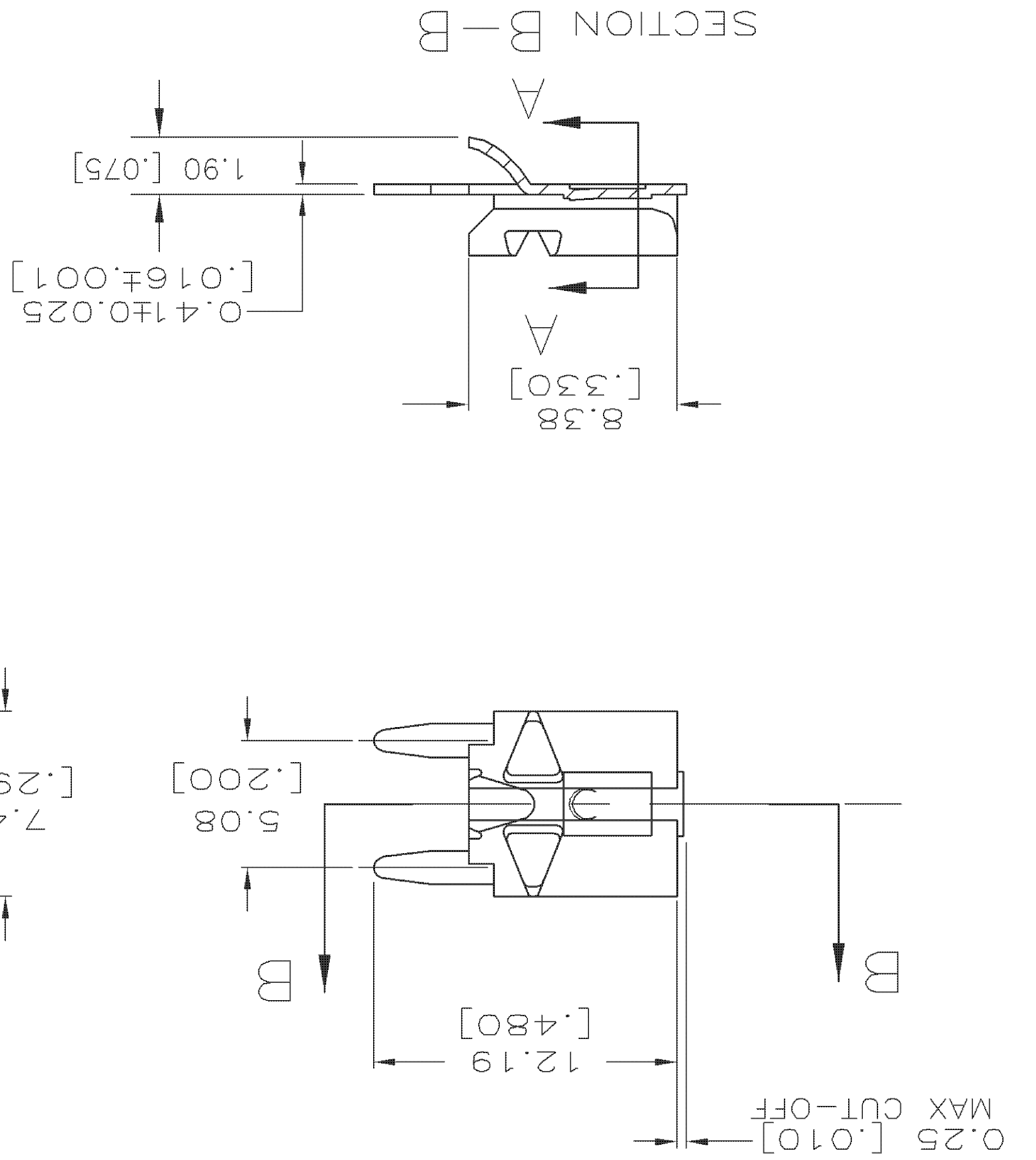
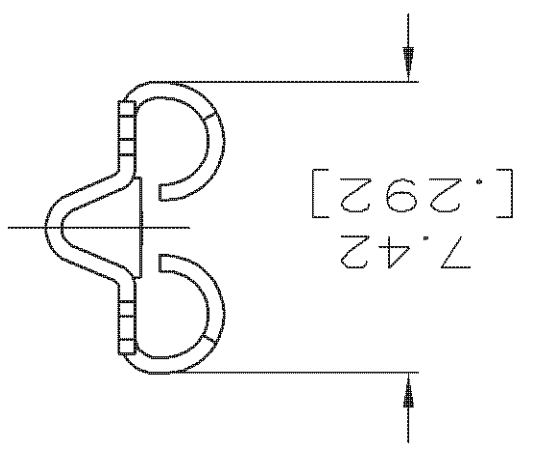
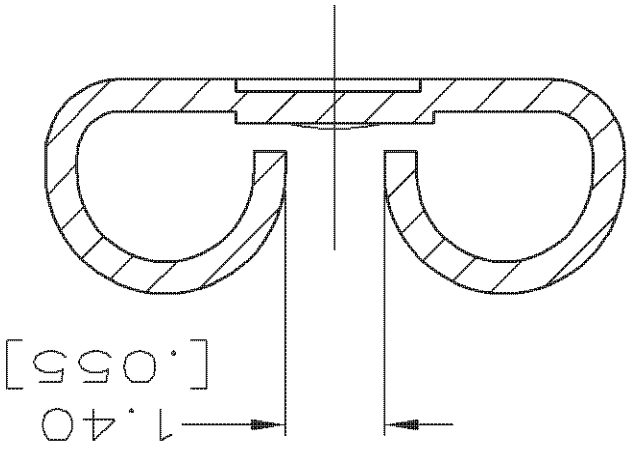
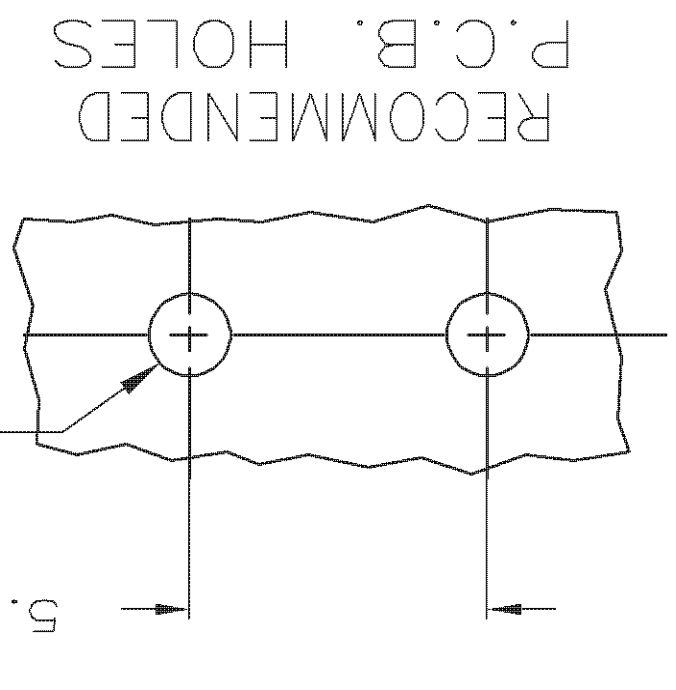
SECTION A-A
SCALE 8:1



.110-.210	18-12	.032	41802-4
INSULATION RANGE	WIRE SIZE	MATING TAB	PART NO
THIS DRAWING IS A CONTROLLED DOCUMENT.		DRN HOGAN GUO 6/27/2017	TE Connectivity
		CHK TIM DING 6/27/2017	
DIMENSIONS: INCHES	TOLERANCES UNLESS OTHERWISE SPECIFIED:	APVD TIM DING 6/27/2017	NAME
	0 PLC ± -	PRODUCT SPEC	RECEPTACLE, FASTON, FLAG, .250 SERIES
	1 PLC ± -		
	2 PLC ± -	APPLICATION SPEC	
	3 PLC ± .015		
	4 PLC ± -		
	ANGLES ± -		
	FINISH		
MATERIAL		WEIGHT	RESTRICTED TO
BRASS	TIN		GREE
CUSTOMER DRAWING		SIZE A3	CAGE CODE 00779
		DRAWING NO C-41802	
		SCALE 4:1	SHEET 1 OF 1
		REV A	

CUSTOMER DRAWING		SCALE 4:1	SHEET 1 OF 1	REV B1
WEIGHT		SIZE A3	CAGE CODE 00779	DRAWING NO. 1217080
APPLICATION SPEC		RECEPTACLE, FASTON, 6.35/5.21 [2.50/2.05] SERIES, PC BOARD MOUNTED		
PRODUCT SPEC		NAME D BRATINA		
TOLERANCES UNLESS OTHERWISE SPECIFIED:		APVD 3/30/98		
0 PLC ±		CHK MS FEHER 3/30/98		
1 PLC ±		DWN JR RUTH 3/30/98		
2 PLC ± 0.25 [.010]		TE Connectivity		
3 PLC ±		PART NO. 1217080-1		
4 PLC ±		P.C.B. HOLES RECOMMENDED		
ANGLES ±		SECTION A-A SCALE 8:1		
FINISH		SECTION B-B		
MATERIAL HD4 BRASS		P.C.B. HOLES		

THIS DRAWING IS A CONTROLLED DOCUMENT.		DWN JR RUTH 3/30/98		CHK MS FEHER 3/30/98		APVD D BRATINA 3/30/98		NAME		RECEPTACLE, FASTON, 6.35/5.21 [2.50/2.05] SERIES, PC BOARD MOUNTED		CAGE CODE 00779		SIZE A3		WEIGHT		CUSTOMER DRAWING	
TOLERANCES UNLESS OTHERWISE SPECIFIED:		0 PLC ±		1 PLC ±		2 PLC ± 0.25 [.010]		3 PLC ±		4 PLC ±		ANGLES ±		FINISH		MATERIAL HD4 BRASS			
0.00254 [.000100] MIN THK TIN OVER 0.00254 [.000100] MIN THK COPPER, OR OVER 0.00127 [.000050] MIN NICKEL.		3		MATING TAB THK IS 0.81±0.025 [.032±.001].		1		SUPPLIED IN LOOSE PIECE FORM.											
REVISIONS		DIST		LOC		AF		50		P LTR		DESCRIPTION		DATE		DWN		APVD	
1		1		1		1		1		1		12MAR11		RKHMR		REVISED PER ECO-11-005027		B1	



THIS DRAWING IS UNPUBLISHED. RELEASED FOR PUBLICATION BY - - - - - ALL RIGHTS RESERVED.