

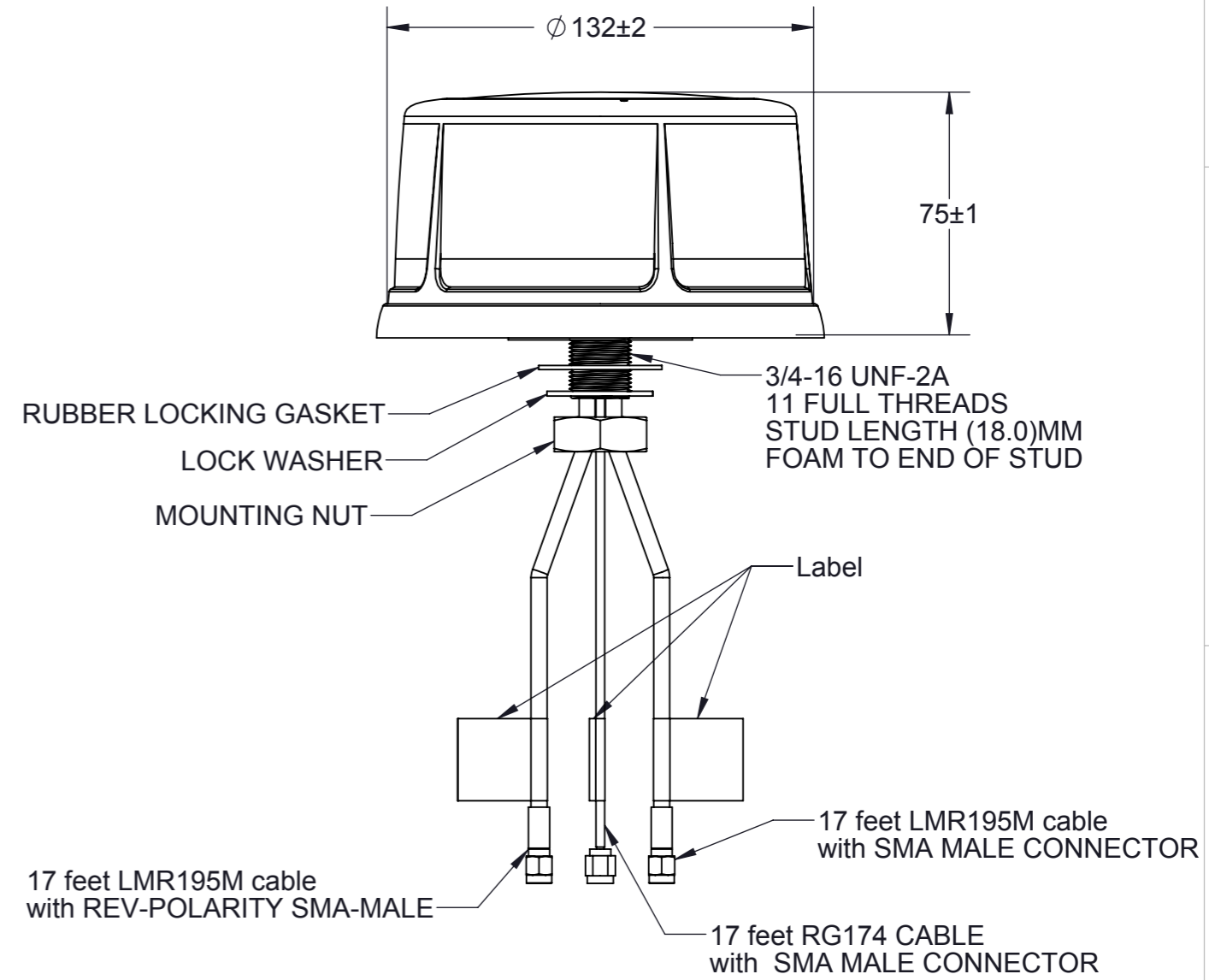
PARAMETER	SPECIFICATION	
Model	Disk Puck 3Ports 4G WIFI GPS (VLT69273B11J-518A / VLT69273W11J-518A)	
Port Configuration	LTE/4G	WIFI
Frequency (MHz)	698-960; 1710-2700	2300-2700; 4900-5900
Gain (dBi)	2.0 (typical), 2.6 (max) @ 698-806 MHz	4.2 (typical), 4.9 (max) @ 2300-2700 MHz
	1.7 (typical), 2 (max) @ 824-894 MHz	5.5 (typical), 6.0 (max) @ 4900-5900 MHz
	2.0 (typical), 2.2 (max) @ 880-960 MHz	
	4.4 (typical), 4.7 (max) @ 1710-1880 MHz	
	4.1 (typical), 4.7 (max) @ 1850-1990 MHz	
	4.2 (typical), 4.5 (max) @ 1910-2170 MHz	
	4.4 (typical), 4.7 (max) @ 2300-2500 MHz	
	3.6 (typical), 3.8 (max) @ 2500-2700 MHz	
	(measured on 1ft (304.8mm) dia. ground plane with 1ft (304.8mm) of cable)	
Number of Ports:	1 Port	1 Port
Port to Port Isolation (dB)	> 22	
Nominal Impedance	50 Ohms	
Polarization	Vertical Linear	
Azimuth Beam Width	Omnidirectional	
Max Gain ±30 above Horizon 5GHz (dBi)	N/A	5.74 dBi
VSWR	2 : 1 @ 698-960MHz	2 : 1 @ 2300-2700MHz
	2 : 1 @ 1710-2700MHz	2 : 1 @ 4900-5900MHz
	(measured on 1ft (304.8mm) dia. ground plane with 17ft (5181.6mm) of cable)	
Power Input (Max.)	50 Watts (ambient temp of 25°C (77°F))	
Amplifier Gain	N/A	N/A
DC Current	N/A	N/A
DC Voltage	N/A	N/A
Noise Figure	N/A	N/A
Operating Temperature Range	-30°C ~ +70°C (-22°F ~ +158°F)	
Cable	LMR195M	
Connector	SMA-male	RSMA-male
Exposed Cable length	17 ft (5181.6mm)	
Weight	Approximately 0.74kg (1.63lb)	
Radome	BLACK or WHITE	
Dimensions	Ø132mm (dia.) x 75mm (H) (Ø5.197" (dia.) x 2.953" (H))	
RoHs	Compliant	
SPEC	IP 67	
Radome and base plate material	PC, UL94-V0, UV STABLE	

GNSS ANTENNA SPECIFICATION

PARAMETER	SPECIFICATION		
Frequency of Operation (MHz)	1559 - 1606		
Band	BEIDOU	GPS	GLONASS
Frequency Band (MHz)	1561.098 ±2.046	1575.42 ±1.023	1602 ±5
Antenna Gain (dBi)	3.9	4.9	2.5
LNA Gain Typ. @ room temp. (dBi)	28±3		
Noise Figure @ room temp., Max (dB)	≤ 2.5 @ 1575 MHz		
Max VSWR @ room temp.	≤ 2.0		
Polarization	RHCP		
Nominal Impedance	50 Ω		
DC Voltage (Vdc)	3.3		
Operating Supply Voltage (Vdc)	2.5 - 7.0		
Current Consumption, Max @ room temp mA)	20		
Out-of-band Signal Rejection Min @ room temp (dBc)	> 88	> 84	> 86
Input Max Power (dBm)	-33		
Cable Type	RG174		
Cable length, cm	518		
Connector	SMA, Male		

THIS DRAWING IS UNPUBLISHED.	RELEASED FOR PUBLICATION	- , -
© Copyright 2022 TE Connectivity Ltd.	ALL RIGHTS RESERVED.	

REVISIONS					
REV.	ECN#	ZONE	DESCRIPTION	CHANGED BY/DATE	APPROVED BY/DATE
F01	ECO-20-00208	NA	INITIAL RELEASE	LCTAN 05MAY20	TERENCE 05MAY20



MATERIAL:	THIRD ANGLE PROJECTION											
FINISH:	DO NOT SCALE DRAWING											
<table border="1"> <thead> <tr> <th>APPROVALS</th> <th>DATE</th> </tr> </thead> <tbody> <tr> <td>DRAWN BY: LCTAN</td> <td>05MAY20</td> </tr> <tr> <td>ELEC. ENG.: PETER</td> <td>05MAY20</td> </tr> <tr> <td>MECH. ENG.: WT NG</td> <td>05MAY20</td> </tr> <tr> <td>MFG./OPS.: GL YEAP</td> <td>05MAY20</td> </tr> </tbody> </table>		APPROVALS	DATE	DRAWN BY: LCTAN	05MAY20	ELEC. ENG.: PETER	05MAY20	MECH. ENG.: WT NG	05MAY20	MFG./OPS.: GL YEAP	05MAY20	TITLE:
APPROVALS	DATE											
DRAWN BY: LCTAN	05MAY20											
ELEC. ENG.: PETER	05MAY20											
MECH. ENG.: WT NG	05MAY20											
MFG./OPS.: GL YEAP	05MAY20											
INTERPRET DIMENSIONING AND TOLERANCING IN ACCORDANCE WITH ASME Y14.5M-2009 TOLERANCES UNLESS OTHERWISE SPECIFIED DIMENSIONS ARE IN MILLIMETERS		VLT69273x11J-518A										
ANGLE: ±30' 0 PLACE DECIMAL: ±0.5 1 PLACE DECIMAL: ±0.25 2 PLACE DECIMAL: ±0.13 SURFACE ROUGHNESS 1.6/√		SIZE: A3 DWG. NO.: VLT69273x11J-518AMO REV: F01										
SCALE: 1:2		PREVIOUS#										
		SHEET 1 OF 1										