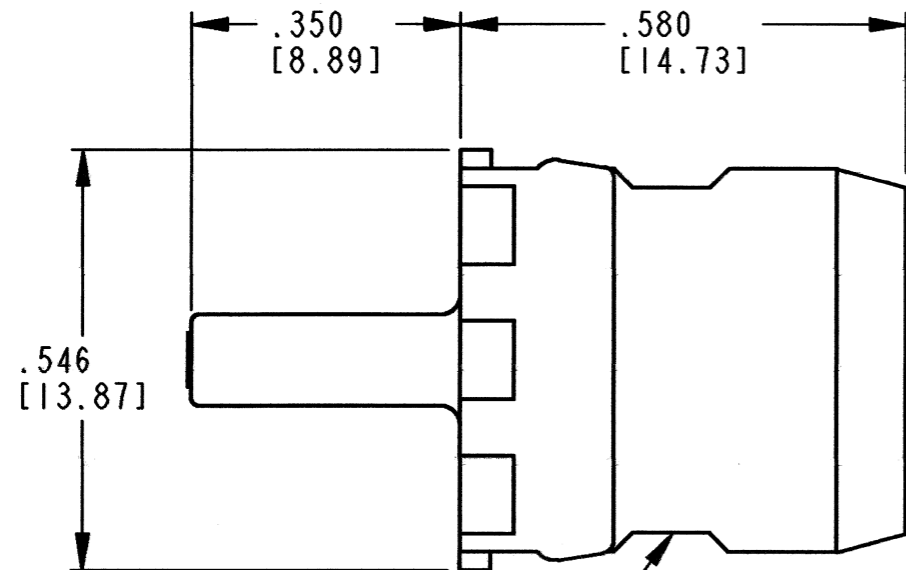
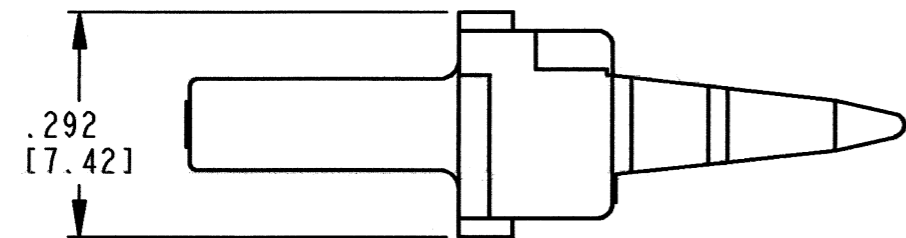


REV	W6P*
NC	

REVISIONS			
SYM	DESCRIPTION	DATE	APPROVED
NC	NEW RELEASE PER E.O. P20225	7-9-09	RDR

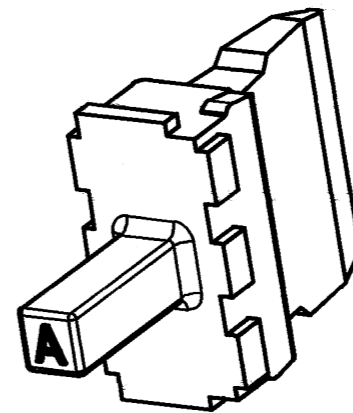
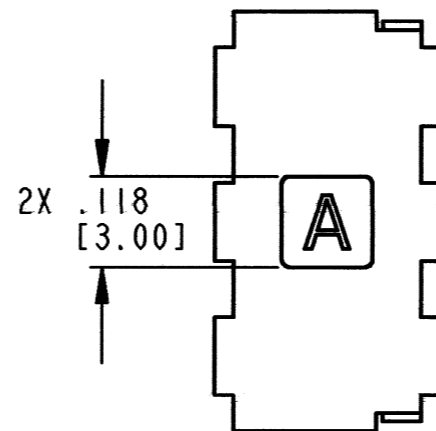


CUTOUT FEATURE OPTIONAL, 2PL



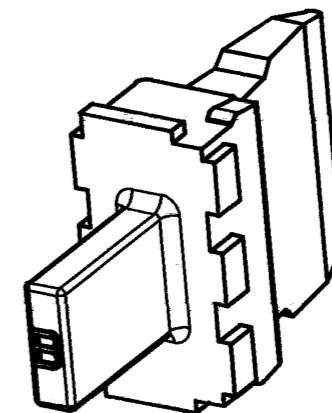
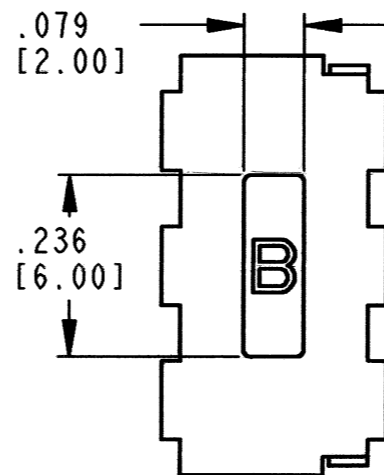
W6PA

COLOR: BLACK



W6PB

COLOR: GRAY



4. MATERIAL: PLASTIC

3. W6P* WEDGE USED WITH DT04-6P-**** RECEPTACLE AND W6S*-P012 PLUG WEDGE.
(* = KEY ARR. A OR B; **** = MODIFICATION) CONSULT FACTORY FOR MODIFICATION.

2. DIMENSIONS ARE ±.025 [0.64] UNLESS OTHERWISE SPECIFIED.


1. ALL DIMENSIONS ARE IN INCHES [MILLIMETERS].

NOTES:

SIGNATURE & DATE	
DR	R. MESSENGER 5/18/09
CHK	B. Byford 7/9/09
PE	R. Messenger 7/1/09
APPD	S. Beard 7.9.09
SCALE	NONE WT

WEDGE LOCK
6 PIN RECEPTACLE
KEYED
DT SERIES

ENVELOPE

EP	MATL. CODE
 3850 INDUSTRIAL AVE. HEMET, CA 92545	
B	W6P*
DWG SIZE	CODE 11139 SHEET OF