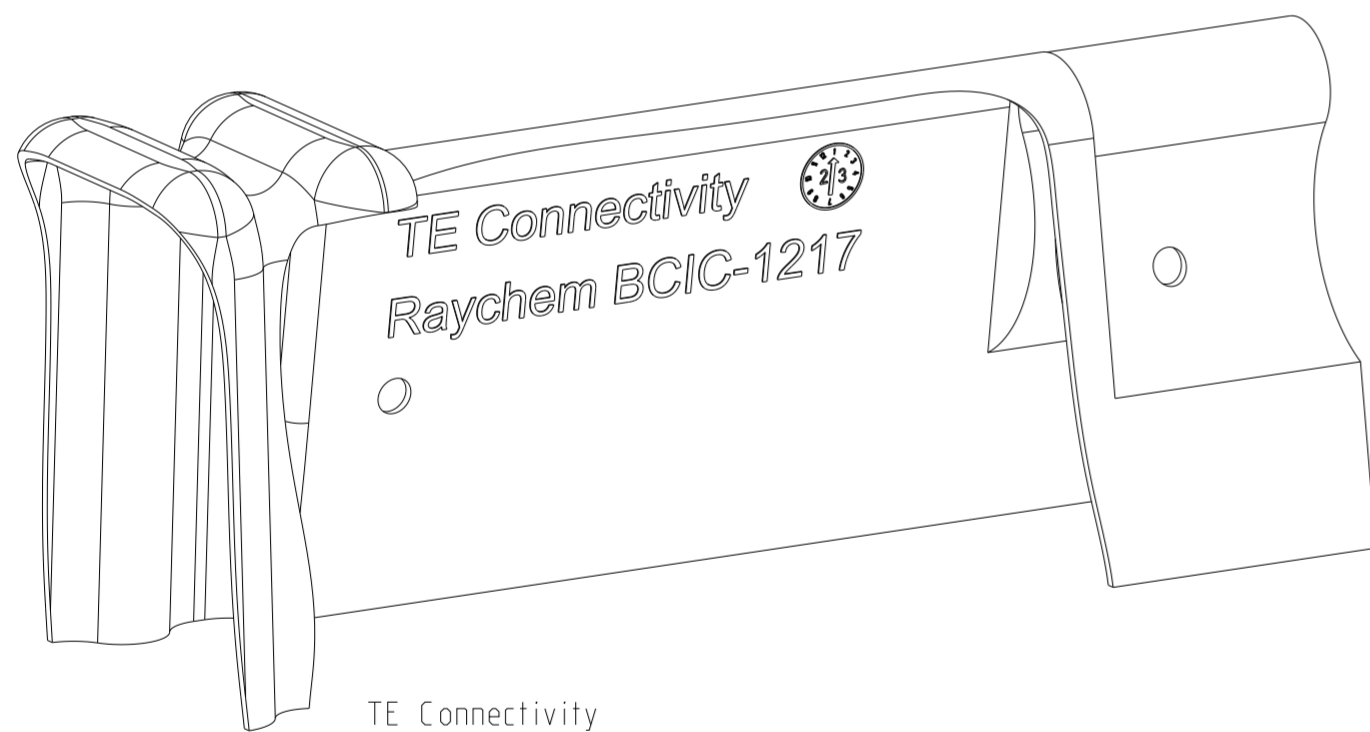
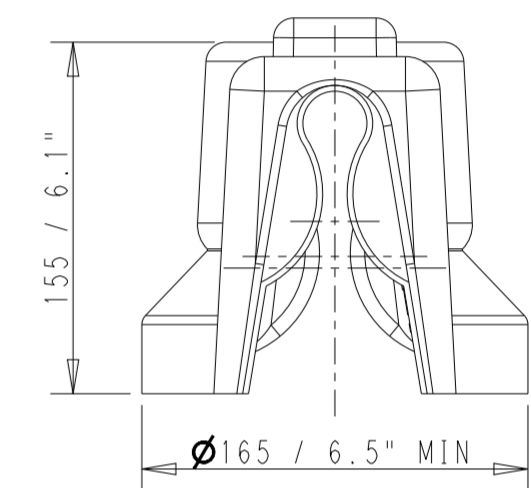
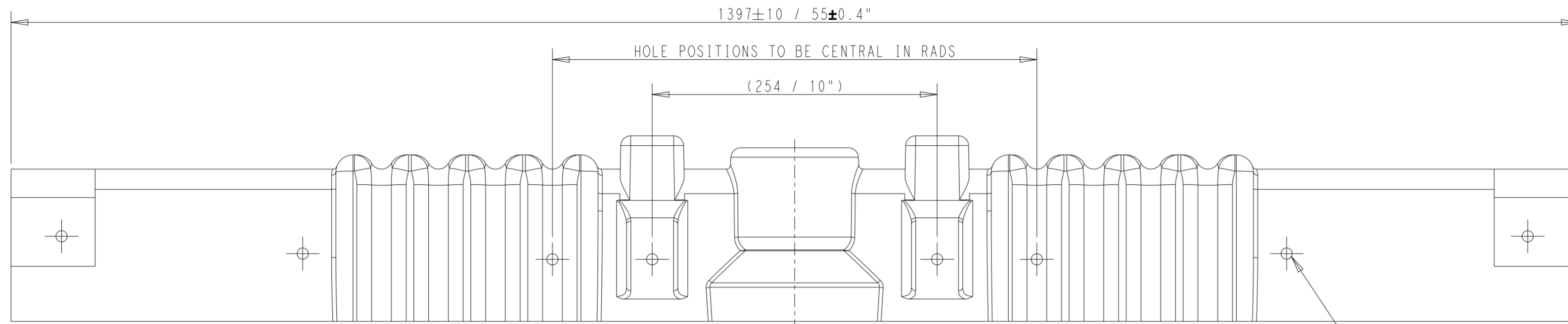
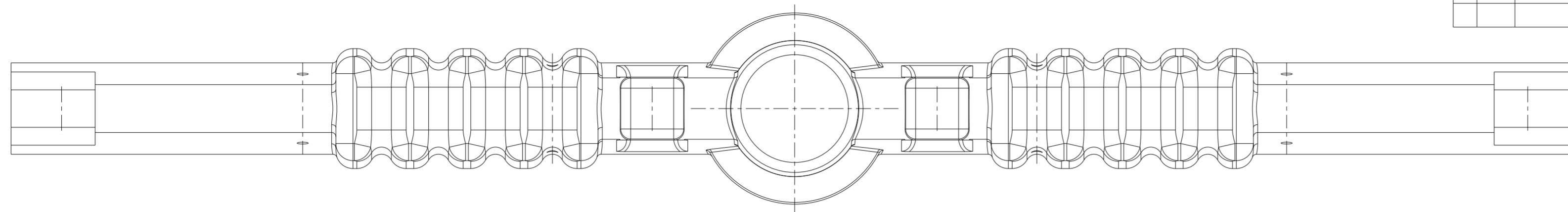
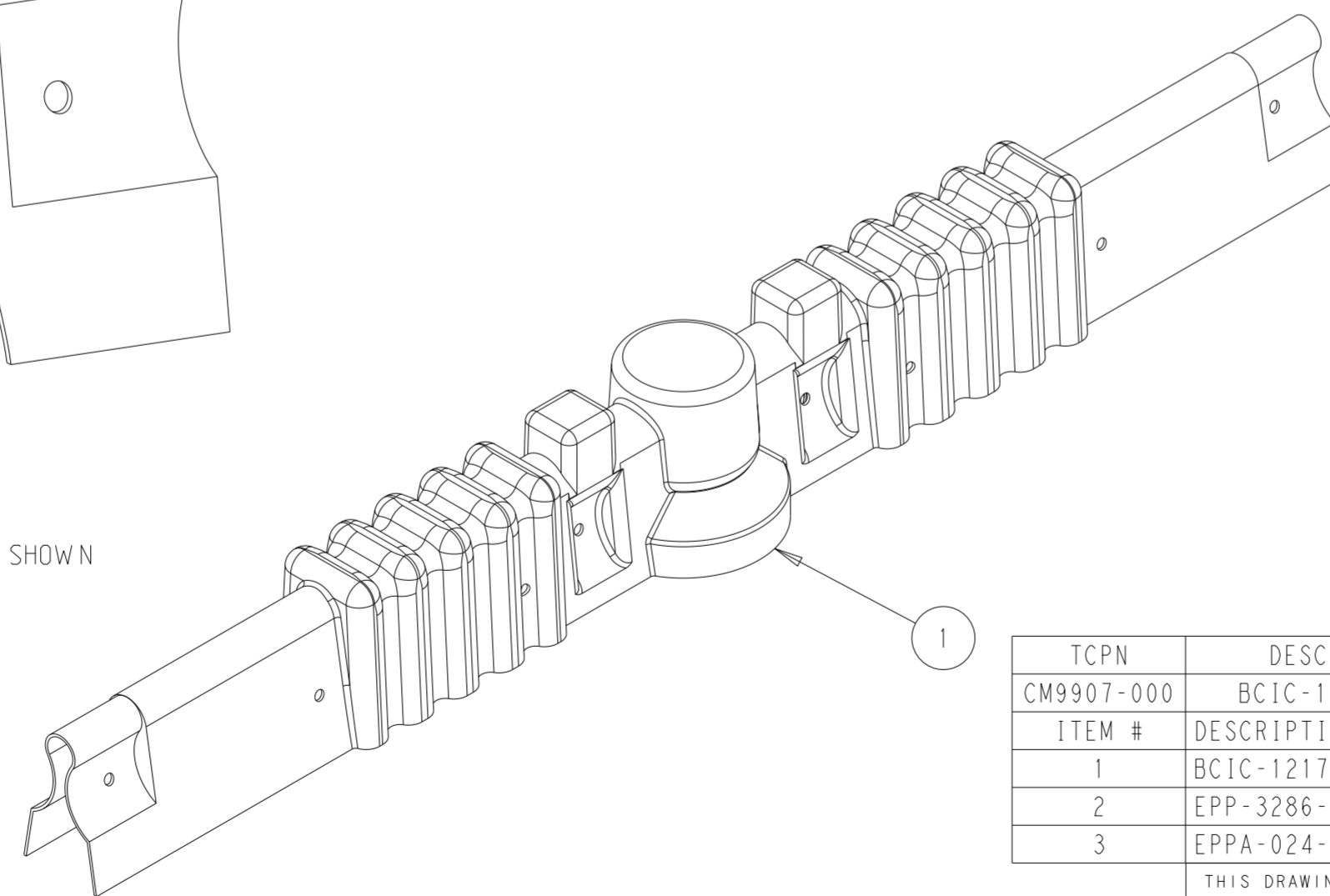


P	LTR	DESCRIPTION	DATE	DWN	APVD
A		ORIGINAL ISSUE	15DEC2023	JM	-



TE Connectivity
Raychem BCIC-1217
LOT# DIA - yymm
PRINTING EMBOSSED ON INSIDE OF PRODUCT AS SHOWN



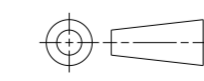
NOTES: (UNLESS OTHERWISE SPECIFIED)
MATERIAL: SEE TABLE
WALL THICKNESS IS 2.5mm / 0.1" NOMINAL.
TOLERANCES: ±3mm / 0.12mm UNLESS OTHERWISE NOTED.
FILLETS/RADII: R6mm / 0.24" UNLESS NOTED.
5mm FLANGE PERMISSIBLE ALL AROUND PART.
COLD MARKS ARE ALLOWABLE AS LONG AS THE WALL THICKNESS IN THESE REGIONS MEETS REQUIREMENTS.

TCPN	DESCRIPTION	TCPN	DESCRIPTION	TCPN	DESCRIPTION
CM9907-000	BCIC-1219-(B15)	CM9918-000	BCIC-1219-3	CM9918-005	BCIC-1219-3
ITEM #	DESCRIPTION	QTY	ITEM #	DESCRIPTION	QTY
1	BCIC-1217	15	1	BCIC-1217	3
2	EPP-3286-1/19	1	2	ESD-6217-3/13	1
3	EPPA-024-5-350	0	3	EPPA-024-5-350 25(1 Bag)	3

THIS DRAWING IS A CONTROLLED DOCUMENT.

DIMENSIONS:
mm / inches

TOLERANCES UNLESS OTHERWISE SPECIFIED:



0 PLC ±
1 PLC ±
2 PLC ±
3 PLC ±
4 PLC ±
ANGLES ±
FINISH

MATERIAL
SEE NOTES

DWN J MULLIGAN 23MAR2020
CHK M JAMES 23MAR2020
APVD I BOND 23MAR2020

PRODUCT SPEC

APPLICATION SPEC

WEIGHT

CUSTOMER DRAWING

		NAME		RESTRICTED TO	
		BCIC-1219-(Bxx) SEE TABLE		-	
SIZE	CAGE CODE	DRAWING NO	-		
A2	00779	G-WAP-BCIC-0136-C	SCALE	SHEET	REV
	1:3	1 OF 1	A		