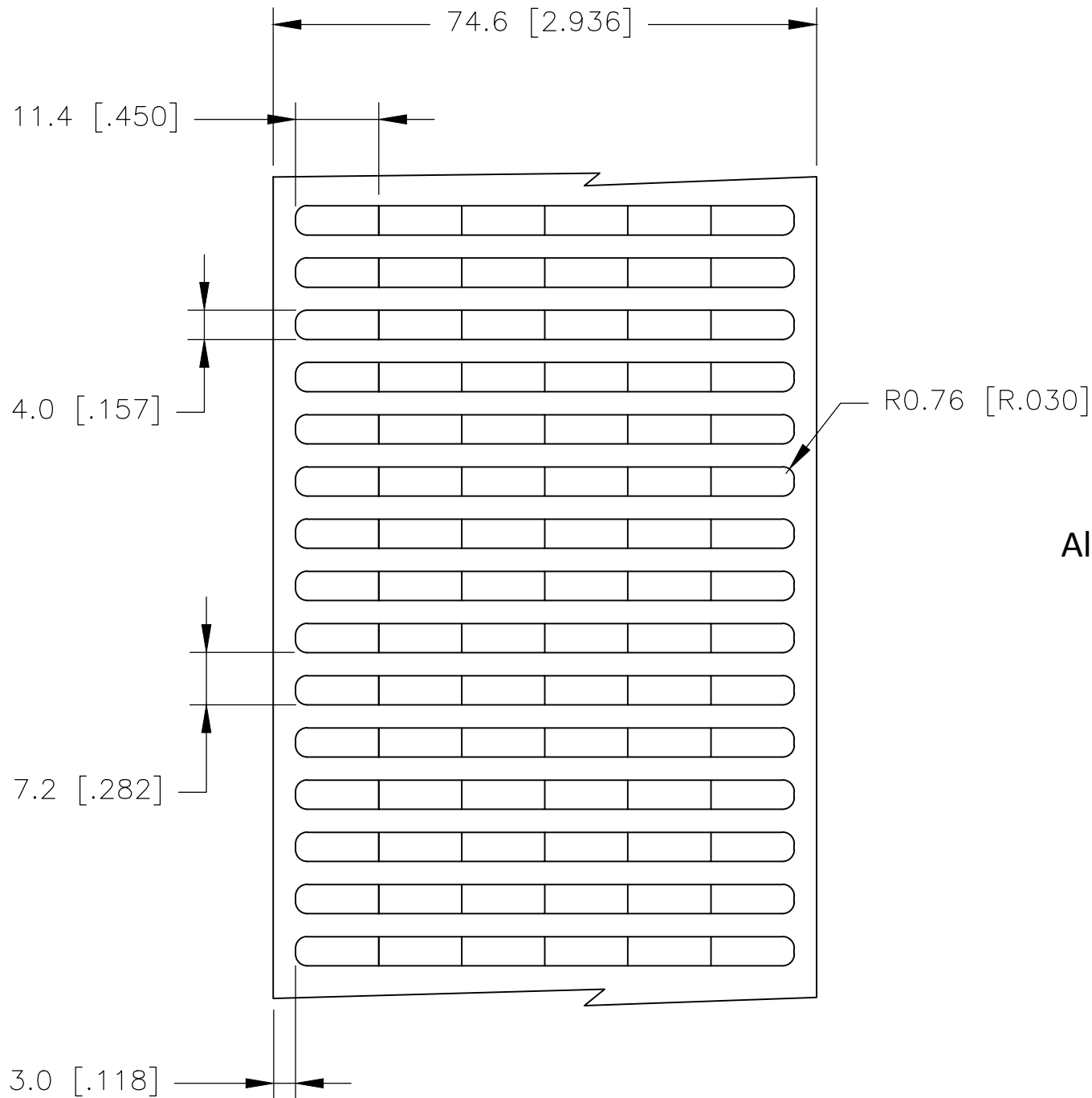
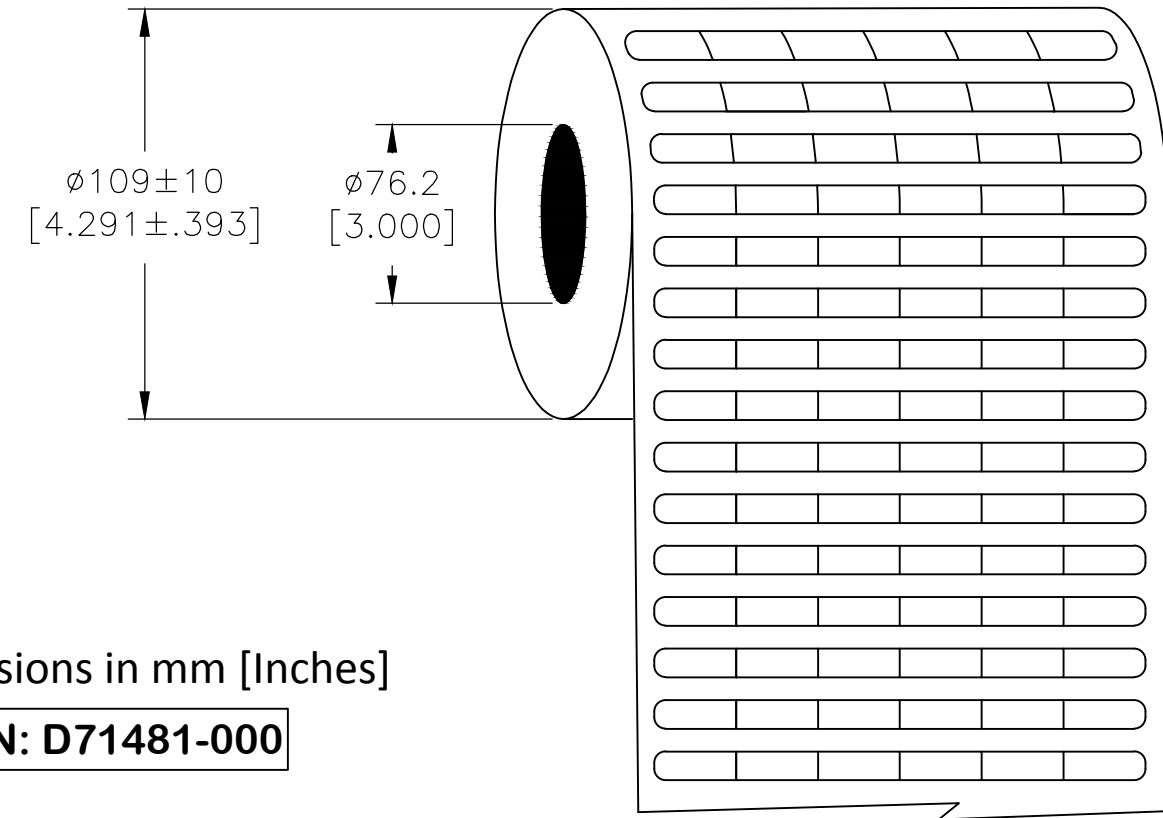


P	LTR	DESCRIPTION	DATE	DWN	APVD
	B	ECR-20-003872	13MAR2020	GK	MN

### LABEL AND LINER DESIGN



### PRESENTATION



All dimensions in mm [Inches]

**TE PN: D71481-000**

**OUTSIDE WOUND  
LABEL ACROSS: 6  
PER ROLL QTY: 25000**

MATERIAL	WHITE POLYESTER
ADHESIVE TYPE	PERMANENT
LINER	GLASSINE PAPER

TOLERANCES mm [INCH]	
LABEL HEIGHT:	±0.3 [.012]
LABEL WIDTH:	±0.3 [.012]
WEB WIDTH:	±0.8 [.031]
VERTICAL REPEAT:	±0.8 [.031]*
HORIZONTAL REPEAT:	±0.8 [.031]*
PRINT POSITIONING:	±0.8 [.031]*
LEFT MARGIN:	±0.4 [.016]
QUANTITY:	-0 % +2 %
*NON ACCUMULATING	

THIS DRAWING IS A CONTROLLED DOCUMENT.	
DIMENSIONS: mm [INCHES]	TOLERANCES UNLESS OTHERWISE SPECIFIED:
	0 PLC ± -
	1 PLC ± -
	2 PLC ± -
	3 PLC ± -
	4 PLC ± -
ANGLES ± -	FINISH -
MATERIAL SEE TABLE	

DWN	25JAN2006
GOPALAKRISHNA HV	
CHK	25JAN2006
K. MUNZ	
APVD	25JAN2006
K. MUNZ	
PRODUCT SPEC	
TTDS-073	
APPLICATION SPEC	
WEIGHT	0.004g

TE Connectivity	
NAME WP - WHITE POLYESTER LABELS	
SIZE	CAGE CODE
A3	C2290
DRAWING NO	RESTRICTED TO
G-WP-114040-25-9	-
CUSTOMER DRAWING	SCALE NTS
SHEET 1 OF 1	REV B