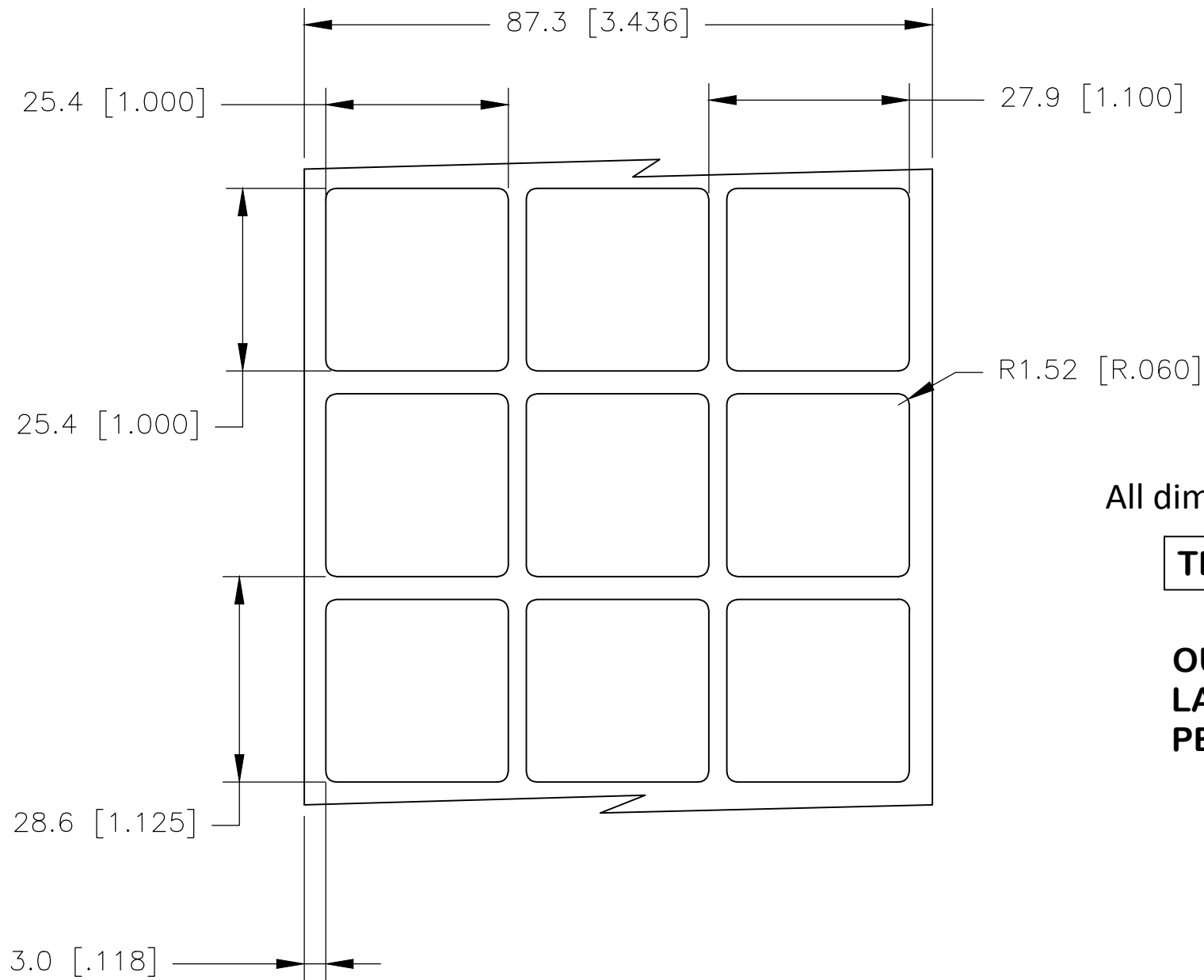
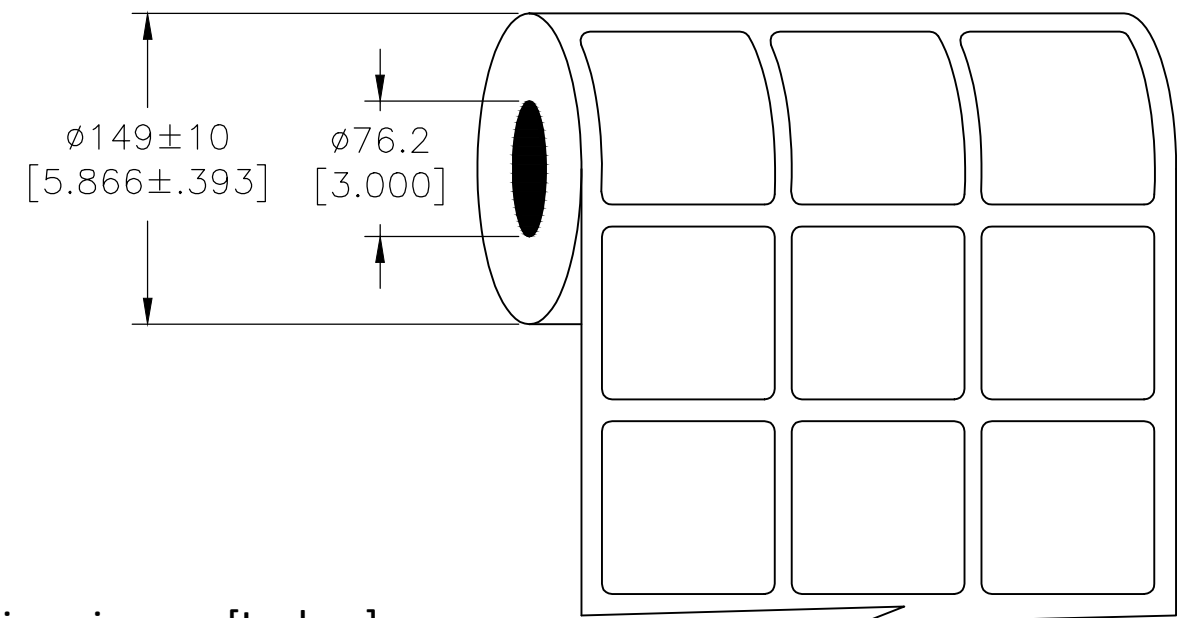


P	LTR	DESCRIPTION	DATE	DWN	APVD
	B	INITIAL RELEASE	20FEB2020	GK	MN

LABEL AND LINER DESIGN



PRESENTATION



All dimensions in mm [Inches]

TE PN: A43626-000

**OUTSIDE WOUND
LABEL ACROSS: 3
PER ROLL QTY: 10000**

MATERIAL	WHITE POLYESTER
ADHESIVE TYPE	PERMANENT
LINER	GLASSINE PAPER

TOLERANCES mm [INCH]	
LABEL HEIGHT:	±0.3 [.012]
LABEL WIDTH:	±0.3 [.012]
WEB WIDTH:	±0.8 [.031]
VERTICAL REPEAT:	±0.8 [.031]*
HORIZONTAL REPEAT:	±0.8 [.031]*
PRINT POSITIONING:	±0.8 [.031]*
LEFT MARGIN:	±0.4 [.016]
QUANTITY:	-0 % +2 %
*NON ACCUMULATING	

THIS DRAWING IS A CONTROLLED DOCUMENT.	
DIMENSIONS: mm [INCHES]	TOLERANCES UNLESS OTHERWISE SPECIFIED:
	0 PLC ± -
	1 PLC ± -
	2 PLC ± -
	3 PLC ± -
	4 PLC ± -
ANGLES ± -	FINISH -
MATERIAL SEE TABLE	

DWN	07JUL2006
CHK	GOPALAKRISHNA HV
APVD	13MAR2020
PRODUCT SPEC	M.NUTTALL
APPLICATION SPEC	M.NUTTALL
TTDS-073	
WEIGHT	0.058g

TE Connectivity	
NAME WP - WHITE POLYESTER LABELS	
SIZE	CAGE CODE
A3	C2290
DRAWING NO	RESTRICTED TO
G-WP-254254-10-9	-
CUSTOMER DRAWING	SCALE NTS
SHEET 1 OF 1	REV B