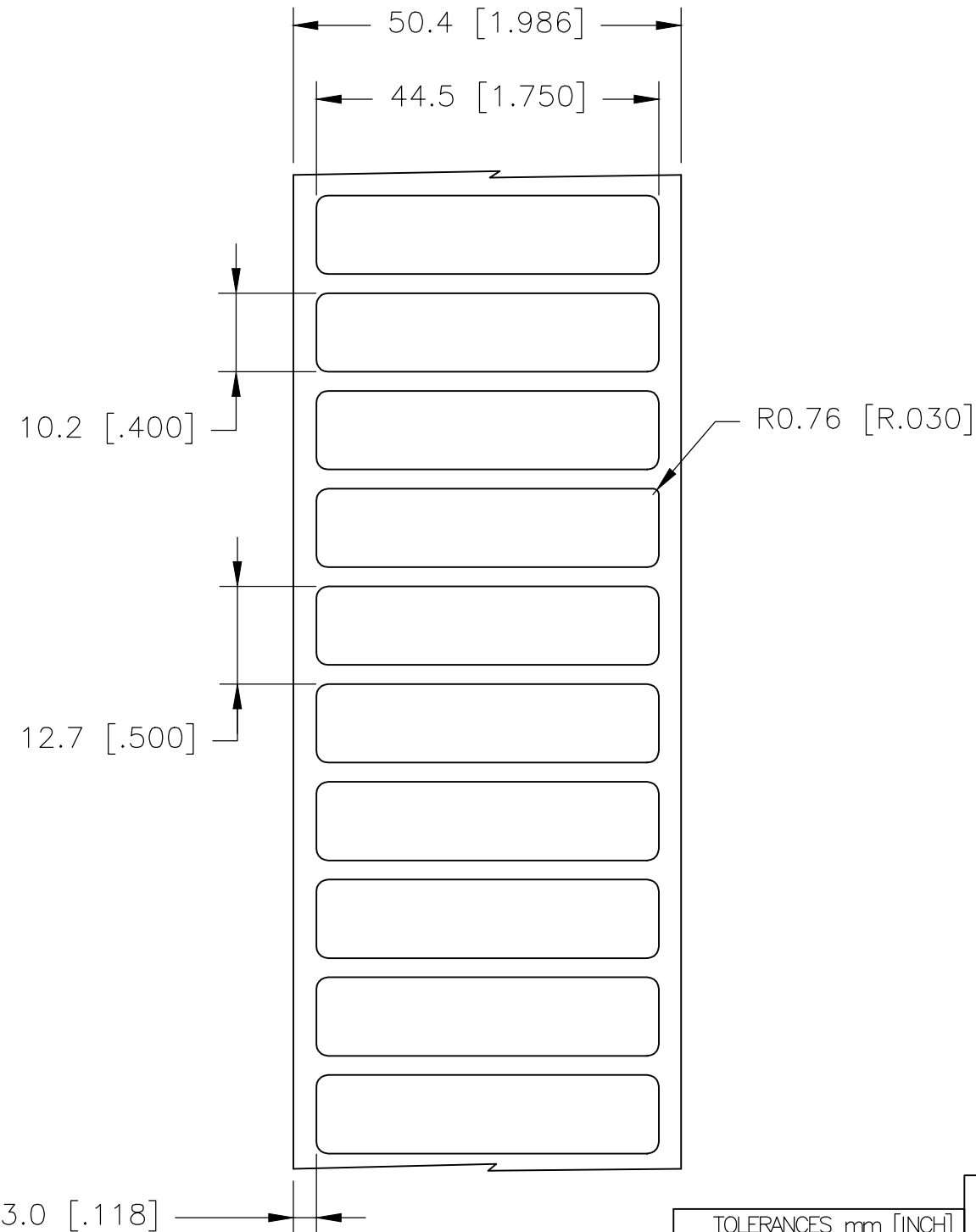
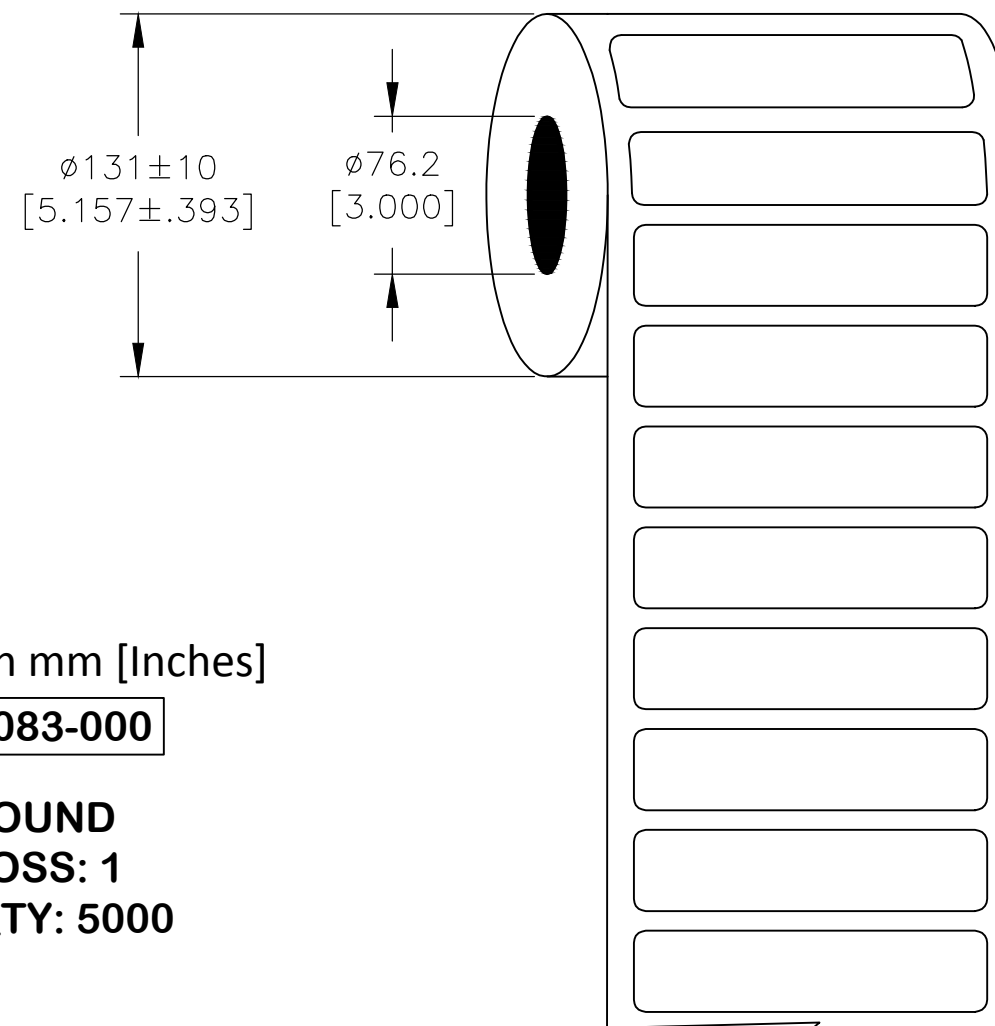


P	LTR	DESCRIPTION	DATE	DWN	APVD
	D	INITIAL RELEASE	24FEB2020	GK	MN

LABEL AND LINER DESIGN



PRESENTATION



All dimensions in mm [Inches]

TE PN: D24083-000

OUTSIDE WOUND LABEL ACROSS: 1 PER ROLL QTY: 5000

MATERIAL	WHITE POLYESTER
ADHESIVE TYPE	PERMANENT
LINER	GLASSINE PAPER

TOLERANCES mm [INCH]	
LABEL HEIGHT:	±0.3 [.012]
LABEL WIDTH:	±0.3 [.012]
WEB WIDTH:	±0.8 [.031]
VERTICAL REPEAT:	±0.8 [.031]*
HORIZONTAL REPEAT:	±0.8 [.031]*
PRINT POSITIONING:	±0.8 [.031]*
LEFT MARGIN:	±0.4 [.016]
QUANTITY:	-0 % +2 %
*NON ACCUMULATING	

DIMENSIONS: mm [INCHES]		TOLERANCES UNLESS OTHERWISE SPECIFIED:	
	0 PLC	±	-
	1 PLC	±	-
	2 PLC	±	-
	3 PLC	±	-
	4 PLC	±	-
	ANGLES	±	-
	FINISH		

DWN	20FEB2020
CHK	13MAR2020
APVD	13MAR2020
PRODUCT SPEC	TTDS-073
APPLICATION SPEC	
WEIGHT	0.041g

TE Connectivity		NAME	
WP - WHITE POLYESTER LABELS		RESTRICTED TO	
SIZE	CAGE CODE	DRAWING NO	RESTRICTED TO
A3	C2290	G-WP-445102-5-9	-
CUSTOMER DRAWING		SCALE	SHEET
		NTS	1 OF 1
		REV	D