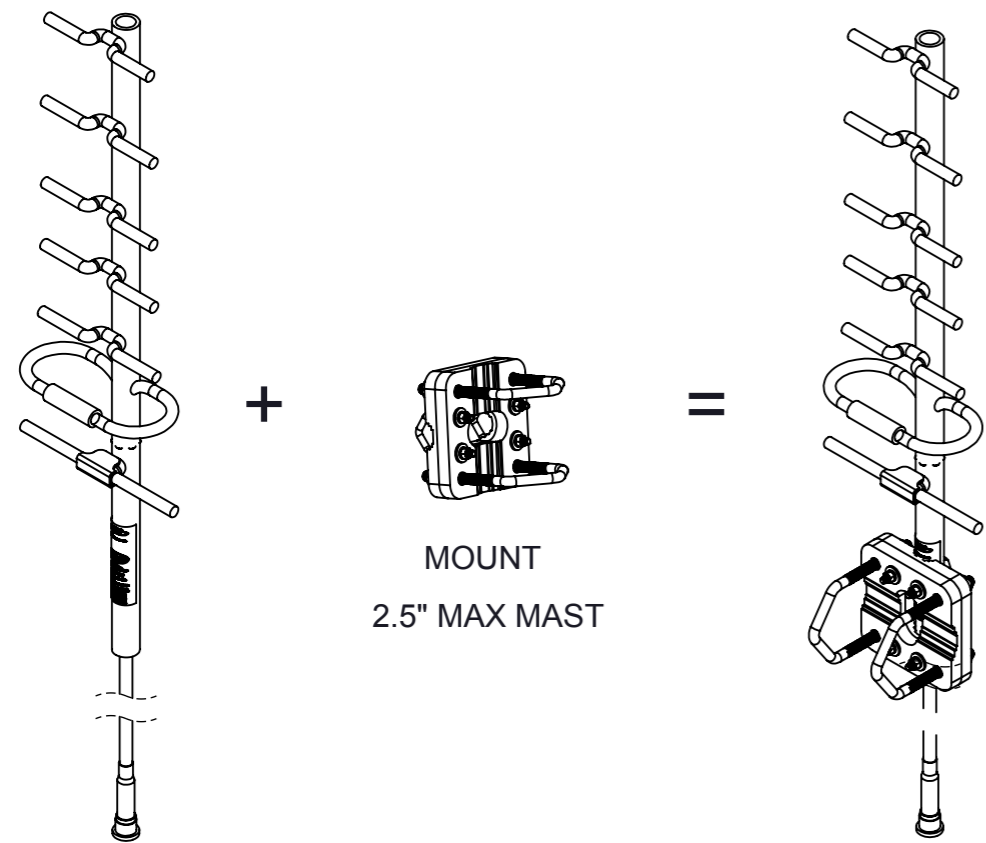
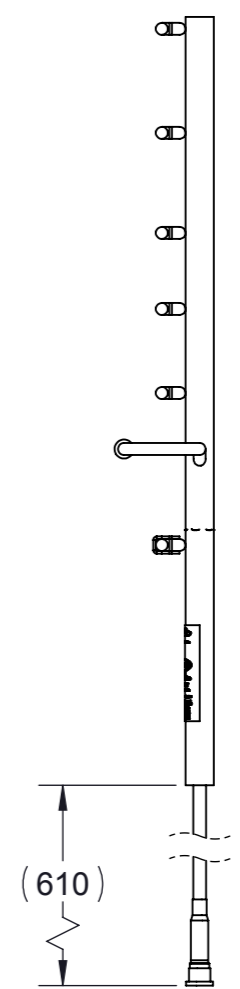
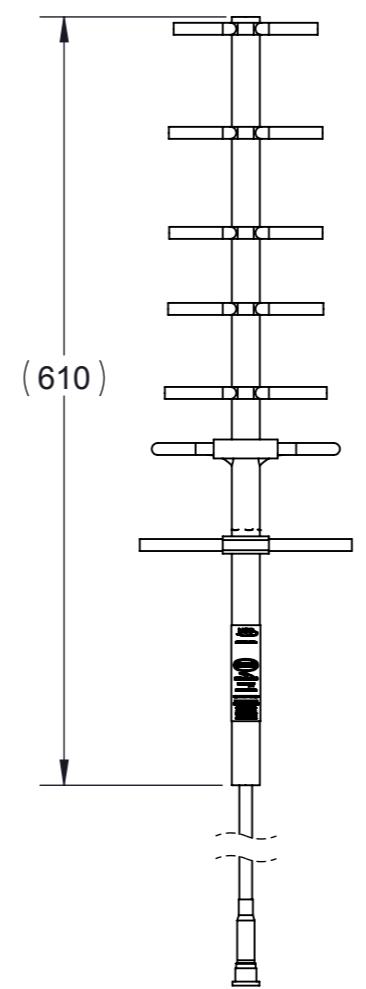
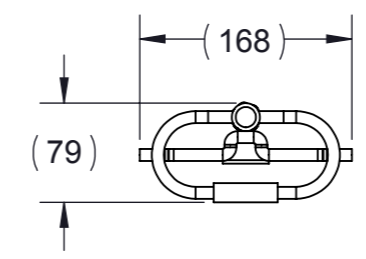


PARAMETER	PERFORMANCE
MODEL NUMBER	YF880012-61NF
FREQUENCY	880-960 MHz
GAIN	12 dBi
POLARIZATION	VERTICAL OR HORIZONTAL
RADIATION PATTERN	DIRECTIONAL
VSWR	< 1.5:1
POWER RATING	200 WATTS
IP RATING	IP67
OPERATING TEMPERATURE	-30° C TO +70° C
STORAGE TEMPERATURE	-40° C TO +85° C
OPERATIONAL WIND RATING	100 mph (2.6 lbf load)
SURVIVAL WIND RATING	136 mph (5.2 lbf load)
WEIGHT WITHOUT BRACKET	1.50 lbs
WEIGHT WITH BRACKET	3.02 lbs
FRONT TO BACK RATIO	20dB
TERMINATION	N-FEMALE
CABLE TYPE	RG213
IMPEDANCE	50 ohm TYP.

REVISIONS					
REV.	ECN#	ZONE	DESCRIPTION	CHANGED BY/DATE	APPROVED BY/DATE
AA	ECN-IAS-03974	ALL	INITIAL RELEASE	S.S. 20APR15	R.H. 20APR15
F01	ECN-IAS-05161	ALL	UPDATED THE SPECIFICATION TABLE	S.J. 08MAR16	K.S. 08MAR16

THIS DRAWING IS UNPUBLISHED. RELEASED FOR PUBLICATION - , - .
 © Copyright 2022 TE Connectivity Ltd. ALL RIGHTS RESERVED.



MATERIAL: SEE BOM	THIRD ANGLE PROJECTION											
FINISH: SEE BOM	DO NOT SCALE DRAWING											
<table border="1"> <thead> <tr> <th>APPROVALS</th> <th>DATE</th> </tr> </thead> <tbody> <tr> <td>DRAWN BY S. SAFVI</td> <td>20APR15</td> </tr> <tr> <td>ELEC. ENG. R. HARO</td> <td>20APR15</td> </tr> <tr> <td>MECH. ENG. S. SAFVI</td> <td>20APR15</td> </tr> <tr> <td>MFG./OPS. Y. CASTILLO</td> <td>20APR15</td> </tr> </tbody> </table>		APPROVALS	DATE	DRAWN BY S. SAFVI	20APR15	ELEC. ENG. R. HARO	20APR15	MECH. ENG. S. SAFVI	20APR15	MFG./OPS. Y. CASTILLO	20APR15	TITLE:
APPROVALS	DATE											
DRAWN BY S. SAFVI	20APR15											
ELEC. ENG. R. HARO	20APR15											
MECH. ENG. S. SAFVI	20APR15											
MFG./OPS. Y. CASTILLO	20APR15											
INTERPRET DIMENSIONING AND TOLERANCING IN ACCORDANCE WITH ASME Y14.5M-2009 TOLERANCES UNLESS OTHERWISE SPECIFIED DIMENSIONS ARE IN MILLIMETERS		YF880012-61NF										
ANGLE: ±30' 0 PLACE DECIMAL: ±0.5 1 PLACE DECIMAL: ±0.25 2 PLACE DECIMAL: ±0.13 SURFACE ROUGHNESS 1.6/√		SIZE A3 DWG. NO. YF880012-61NFM0 REV F01										
SCALE: 1:6		PREVIOUS#										
		SHEET 1 OF 1										